

μPD166011T1J

INTELLIGENT POWER DEVICE

 R07DS0851EJ0100
 Rev.1.00
 Aug 20, 2012

1. Overview

1.1 Description

Dual N-channel high-side switch with charge pump, diagnostic feedback with load current sense and embedded protection functions.

1.2 Features

- Built-in charge pump
- Low on-state resistance
- Short circuit protection
 - Shutdown by over current detection and over load detection
- Over temperature protection
 - Shutdown with auto-restart on cooling
- Built-in diagnostic function
 - Proportional load current sensing
 - Defined fault signal in case of abnormal load condition
- Loss of ground protection
- Under voltage lock out
- Active clamp operation at inductive load switch off
- AEC Qualified
- RoHS compliant with pure tin plating

1.3 Application

- Light bulb (~55 W) switching
- Switching of all types of 14 V DC grounded loads, such as LED, inductor, resistor and capacitor

2. Ordering Information

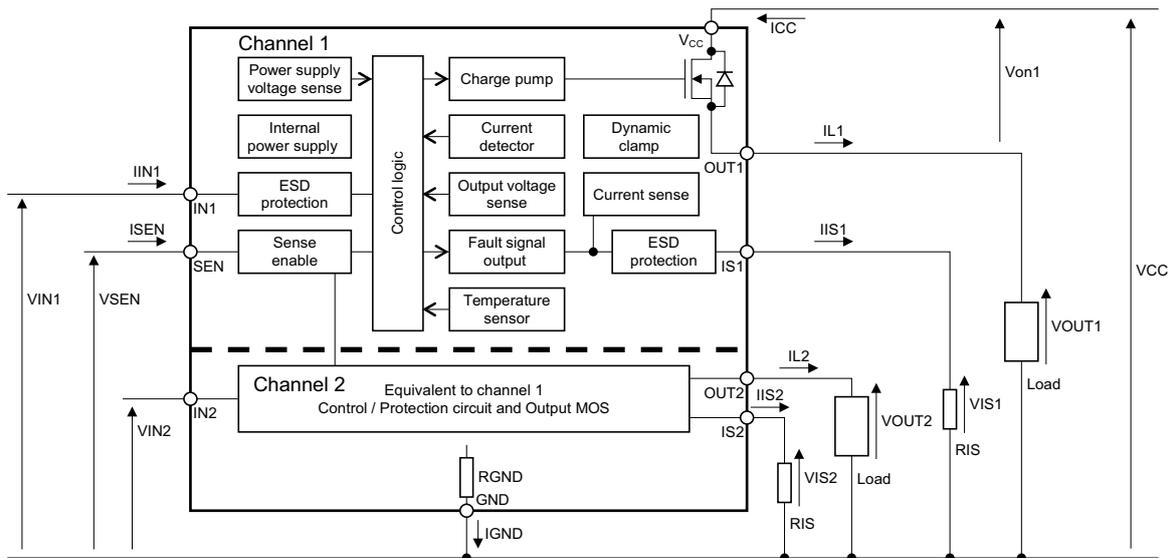
Part No.	Lead Plating	Packing	Package
μPD166011T1J-E1-AY ^{*1}	Pure Mate Sn	Tape 1500 p/reel	12-pin Power HSSOP (PRSP0013FA-A)

Note: ^{*1} Pb-free (This product does not contain Pb in the external electrode)

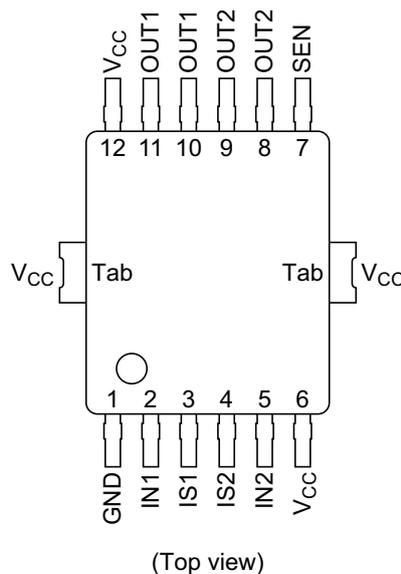
Note: The information contained in this document is the one that was obtained when the document was issued, and may be subject to change.

3. Specification

3.1 Block Diagram



3.2 Pin Arrangement



(Top view)

3.2.1 Pin Function

Pin Name	Pin Function	Recommended Connection
GND	Ground connection	Connected to GND
IN _n	Input signal for channel n (n = 1 to 2)	Connected to MCU port through 2 k-10 k serial resistor
IS _n	Current sense and Diagnosis output signal channel n (n = 1 to 2)	Connected to GND through a 2 k-5 k resistor
SEN	Sense enable input	Connected to MCU port through 2 k-10 k serial resistor
OUT _n	Protected high-side power output channel n (n = 1 to 2)	Connected to load with small 50-100 nF capacitor in parallel
V _{CC}	Positive power supply for logic supply as well as output power supply	Connected to battery voltage with small 100 nF capacitor in parallel

3.3 Absolute Maximum Ratings

(T_A = 25°C, unless otherwise specified)

Parameter	Symbol	Rating	Unit	Test Conditions	
V _{CC} voltage	V _{CC1}	28	V		
V _{CC} voltage at reverse battery condition	V _{CC2}	-16	V	At nominal load current.	
V _{CC} voltage for full short circuit protection	V _{CC3}	28	V		
V _{CC} voltage under load dump condition	V _{CC4}	40	V	R _I = 1 Ω, R _L = 3.2 Ω, R _{IS} = 2 kΩ, t _d = 400 ms	
Load current	I _L	Self limited	A		
Total power dissipation for whole device (DC)	P _D	2.0	W	T _A = 85°C, Device on 50 mm × 50 mm × 1.5 mm epoxy PCB FR4 with 6 cm ² of 70 μm copper area	
Voltage at IN pin	V _{IN}	-0.5 to 10	V	V _{CC} = 9 V to 16 V	
		V _{CC2} to 0		R _{IN} = 2 kΩ, At reverse battery condition, t < 2 min.	
Voltage at SEN pin	V _{SEN}	-0.5 to 10	V	V _{CC} = 9 V to 16 V	
		V _{CC2} to 0		R _{SEN} = 2 kΩ, At reverse battery condition, t < 2 min.	
Voltage at IS pin	V _{IS}	-0.5 to V _{CC} + 0.5	V	V _{CC} = 9 V to 16 V	
		V _{CC2} to 0		R _{IS} = 2 kΩ, At reverse battery condition, t < 2 min.	
Inductive load switch-off energy dissipation single pulse	E _{AS}	64	mJ	V _{CC} = 13.5 V, I _L = 5.5 A, T _{ch,start} < 150°C	
Maximum allowable energy under short circuit condition	E _{AS(SC)}	120	mJ	V _{CC} = 18 V, T _{ch,start} < 150°C, R _{supply} = 10 mΩ, R _{short} = 50 mΩ L _{supply} = 5 μH, L _{short} = 15 μH	
Channel temperature	T _{ch}	-40 to +150	°C		
Dynamic temperature increase while switching	ΔT _{ch}	60	°C		
Storage temperature	T _{stg}	-55 to +150	°C		
ESD susceptibility	V _{ESD}	2000	V	HBM	AEC-Q100-002 std. R = 1.5 kΩ, C = 100 pF
		200	V	MM	AEC-Q100-003 std. R = 0 Ω, C = 200 pF

Note: All voltages refer to ground pin of the device.

3.4 Thermal Characteristics

Parameter	Symbol	MIN.	TYP.	MAX.	Unit	Test Conditions	
Thermal characteristics	R _{th(ch-a)}	—	30	—	°C/W	All channel	Device on 50 mm × 50 mm × 1.5 mm epoxy PCB FR4 with 6 cm ² of 70 μm copper area
	R _{th(ch-c)}	—	1.3	—	°C/W	All channel	

3.5 Electrical Characteristics

3.5.1 Operation Function

($T_{ch} = -40$ to 150°C , $V_{CC} = 9$ to 16 V, unless otherwise specified)

Parameter	Symbol	MIN.	TYP.	MAX.	Unit	Test Conditions
Operating voltage	V_{CC}	5.5	—	28	V	$V_{IN} = 4.5$ V, $V_{on} < 0.5$ V, $R_L = 12$ Ω
Operating current per channel	I_{GND}	—	2.5	5.5	mA	one channel
		—	5.0	10		all channel
Standby current	$I_{CC(off)}$	—	0.1	1.0	μA	$T_{ch} = 25^{\circ}\text{C}$
		—	—	8.0		$T_{ch} = 125^{\circ}\text{C}$
		—	—	24		$T_{ch} = -40$ to 150°C
On state resistance per channel	R_{on}	—	19	25	mΩ	$I_L = 5$ A, $T_{ch} = 25^{\circ}\text{C}$
		—	35	48		$I_L = 5$ A, $T_{ch} = 150^{\circ}\text{C}$
Output voltage drop limitation at small load current	$V_{on(NL)}$	—	50	—	mV	$I_L < 0.5$ A
Output clamp	$V_{on(CL)}$	20	24	28	V	$V_{CC} = 13.5$ V, $I_L = 40$ mA
Output leakage current per channel	$I_{L(OFF)}$	—	—	5	μA	$V_{IN} = 0$ V
Input resistance *1	R_{IN}	—	100	—	Ω	
Low level input voltage	V_{IL}	-0.3	—	1.0	V	
High level input voltage	V_{IH}	3.0	—	10	V	
Low level input current	I_{IL}	2	—	30	μA	$V_{IN} = 0.4$ V
High level input current	I_{IH}	5	—	75	μA	$V_{IN} = 5$ V
Sense enable input resistance *1	R_{SEN}	—	100	—	Ω	
Sense enable low level input voltage	V_{SENL}	-0.3	—	1.0	V	
Sense enable high level input voltage	V_{SENH}	3.0	—	10	V	
Sense enable low level input current	I_{SENL}	2	—	30	μA	$V_{SEN} = 0.4$ V
Sense enable high level input current	I_{SENH}	5	—	75	μA	$V_{SEN} = 5$ V
Turn on delay time to 10% V_{CC}	$t_{d(on)}$	—	30	100	μs	$V_{CC} = 13.5$ V, $R_L = 3.2$ Ω
Turn off delay time to 90% V_{CC}	$t_{d(off)}$	—	220	600	μs	
Turn on time to 90% V_{CC}	t_{on}	—	100	250	μs	
Turn off time to 10% V_{CC}	t_{off}	—	270	700	μs	
Slew rate 30% to 70% V_{CC}	$dv/dton$	0.08	0.33	0.6	V/μs	
Slew rate 70% to 30% V_{CC}	$-dv/dtoff$	0.05	0.35	0.85	V/μs	
Energy at turn on	E_{on}	—	0.65	—	mJ	
Energy at turn off	E_{off}	—	0.55	—	mJ	

Note: *1 Not tested, specified by design

3.5.2 Protection Function

(T_{ch} = -40 to 150°C, V_{CC} = 9 to 16 V, unless otherwise specified)

Parameter	Symbol	MIN.	TYP.	MAX.	Unit	Test Conditions	
Short circuit detection current	I _{L5.5(SC)}	—	—	55	A	T _{ch} = -40°C	V _{CC} = 5.5 V, V _{on} = 5 V
		12	28	—		T _{ch} = 25°C	
		10	26	—		T _{ch} = 105°C	
		8	24	—		T _{ch} = 150°C	
	I _{L13.5(SC)}	—	—	110		T _{ch} = -40°C	V _{CC} = 13.5 V, V _{on} = 5 V
		42.5	75	—		T _{ch} = 25°C	
		33	63	—		T _{ch} = 105°C	
		29.5	55	—		T _{ch} = 150°C	
	I _{L16.5(SC)}	—	—	130		T _{ch} = -40°C	V _{CC} = 16 V, V _{on} = 5 V
		55	86	—		T _{ch} = 25°C	
		42.5	70	—		T _{ch} = 105°C	
		38	60	—		T _{ch} = 150°C	
Driving capability	Dr(capac)	200	—	—	mΩ	T _{ch} = 25°C, V _{CC} = 16 V	
		260	—	—		T _{ch} = 105°C, V _{CC} = 16 V	
		290	—	—		T _{ch} = 150°C, V _{CC} = 16 V	
Over load detection voltage 1	V _{on(OvL)1}	4.0	5.2	6.4	V		
Over load detection voltage 2	V _{on(OvL)2}	0.45	1	1.6	V		
Turn-on check delay after input signal positive slope	t _{d(OC)}	400	—	—	μs		
Thermal shutdown temperature	T _{th}	150	175	—	°C		
Thermal hysteresis	ΔT _{th}	—	10	—	°C		
Output voltage drop per channel in case of reverse battery condition	V _{ds(rev)}	—	0.8	0.85	V	T _{ch} = 25°C	I _L = -3.5 A, V _{CC} = -13.5 V
		—	0.61	0.66		T _{ch} = 150°C	
Reverse current through GND pin *1	-I _{GND}	—	90	—	mA	V _{CC} = -13.5 V	
Integrated resistor in GND line *1	R _{GND}	—	140	—	Ω		
Output current while GND disconnected *1	I _{L(GND)}	—	—	1	mA	I _{IN} = 0 A, I _{SEN} = 0 A, I _{GND} = 0 A, I _{IS} = 0 A	

Note: *1 Not tested, specified by design

3.5.3 Diagnosis Function

($T_{ch} = -40$ to 150°C , $V_{CC} = 9$ to 16 V, $V_{SEN} = 5$ V, unless otherwise specified)

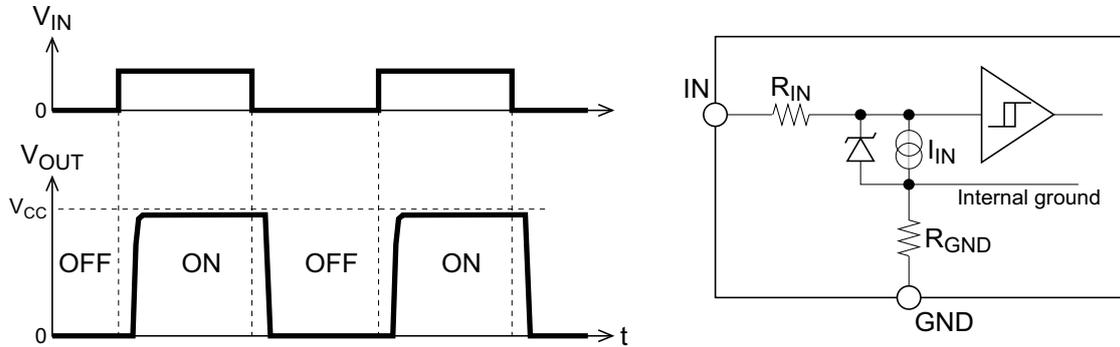
Parameter	Symbol	MIN.	TYP.	MAX.	Unit	Test Conditions		
Open load detection threshold at off-state	$V_{OUT(OL)}$	2.0	3.2	4.4	V	$V_{IN} = 0$ V		
Sense signal in case of fault condition	$V_{IS,fault}$	5.0	6.2	8.0	V	$V_{IN} = 0$ V, $I_{IS} = 2.5$ mA		
Sense signal current limitation	$I_{IS,lim}$	4	—	—	mA	$V_{IN} = 0$ V		
Sense signal invalid after negative input slope	$t_{d(fault)}$	—	—	1.2	ms	$V_{IN} = 5$ V to 0 V, $V_{OUT} = V_{CC}$		
Fault signal settling time	$t_{s(fault)}$	—	—	200	μs	$V_{IN} = 0$ V, $R_{IS} = 2$ kΩ, $V_{OUT} = 0$ to $>V_{OUT(OL)}$		
Current sense ratio	$K_{I,IS}$	3940	4595	5250		$T_{ch} = -40^{\circ}\text{C}$	$I_L = 6.0$ A	$V_{IN} = 5$ V
		4150	4580	5010		$T_{ch} = 25^{\circ}\text{C}$		
		4080	4425	4770		$T_{ch} = 150^{\circ}\text{C}$		
		4050	4810	5570		$T_{ch} = -40^{\circ}\text{C}$	$I_L = 3.0$ A	
		4020	4705	5390		$T_{ch} = 25^{\circ}\text{C}$		
		4050	4460	4870		$T_{ch} = 150^{\circ}\text{C}$		
		4100	5100	6100		$T_{ch} = -40^{\circ}\text{C}$	$I_L = 0.5$ A	
		4410	5130	5850		$T_{ch} = 25^{\circ}\text{C}$		
		4250	5050	5850		$T_{ch} = 150^{\circ}\text{C}$		
		Current sense voltage limitation	$V_{IS(lim)}$	5.0		6.2	8.0	
Current sense leakage/offset current	$I_{IS(LH)}$	—	—	3	μA	$V_{IN} = 5$ V, $I_L = 0$ A		
Current sense leakage, while diagnostic disable	$I_{IS(dis)}$	—	—	5	μA	$V_{SEN} = 0$ V, $I_L = 5$ A		
Current sense settling time to IIS static $\pm 10\%$ after positive input slope *1	$t_{sIS(ON)}$	—	—	300	μs	$V_{IN} = 0$ to 5 V, $R_L = 3.2$ Ω, $R_{IS} = 2$ kΩ		
Current sense settling time to IIS static $\pm 10\%$ after change of load current *1	$t_{sIS(LC)}$	—	—	50	μs	$V_{IN} = 5$ V, $R_{IS} = 5$ kΩ, $I_L = 3$ A to 5 A		
Sense signal settling time	$t_{sIS(SEN)}$	—	—	10	μs	$V_{SEN} = 0$ V to 5 V, $V_{IN} = 0$ V, $R_{IS} = 5$ kΩ, $V_{OUT} > V_{OUT(OL)}$		
Sense signal deactivation time *1	$t_{dIS(SEN)}$	—	—	10	μs	$V_{SEN} = 5$ V to 0 V, $V_{IN} = 0$ V, $R_{IS} = 5$ kΩ, $V_{OUT} > V_{OUT(OL)}$		

Note: *1 Not tested, specified by design

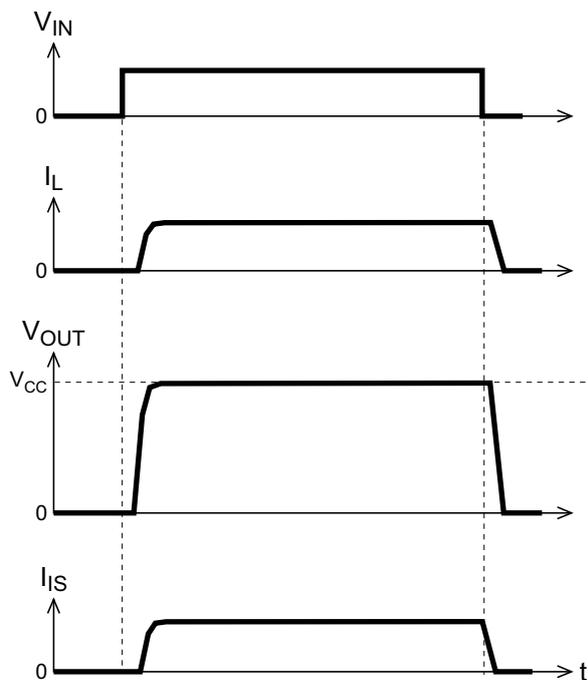
3.6 Function Description

3.6.1 Driving Circuit

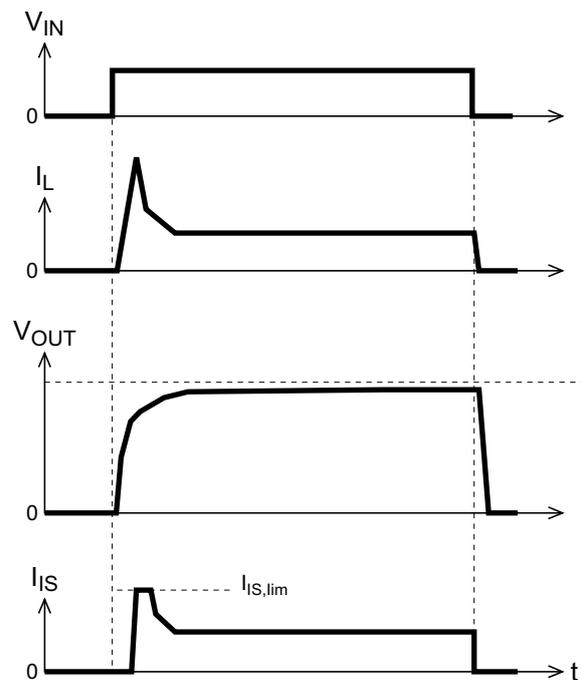
The high-side output is turned on, if the input pin is over V_{IH} . The high-side output is turned off, if the input pin is open or the input pin is below V_{IL} . Threshold is designed between V_{IH} min and V_{IL} max with hysteresis. IN pin is pulled down with constant current source.



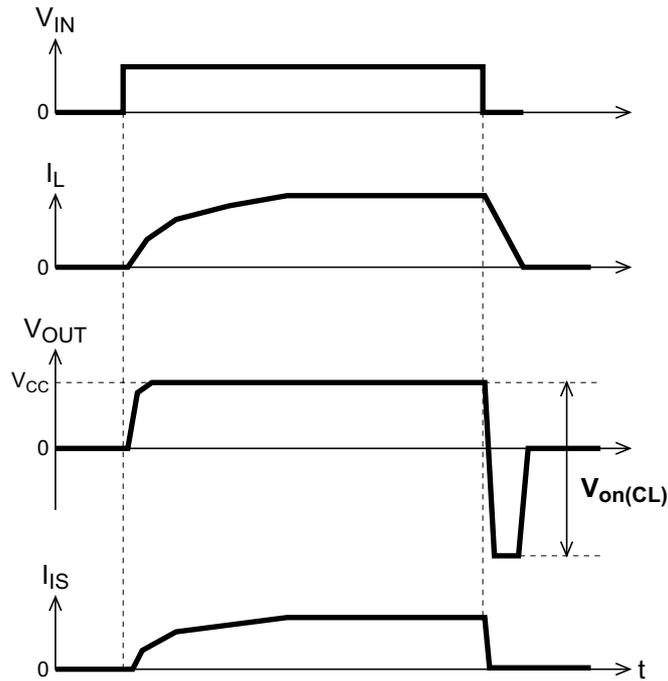
Switching a resistive load



Switching lamps



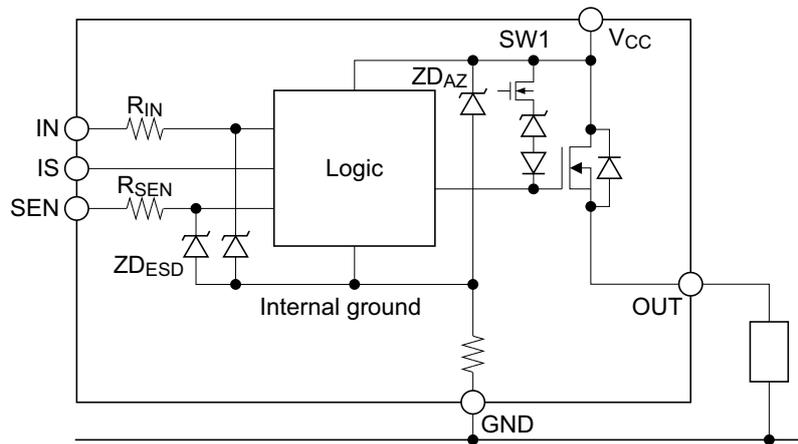
Switching an inductive load



The dynamic clamp circuit works only when the inductive load is switched off. When the inductive load is switched off, the voltage of OUT falls below 0 V. The gate voltage of SW1 is then nearly equal to GND. Next, the voltage at the source of SW1 (= gate of output MOS) falls below the GND voltage.

SW1 is turned on, and the clamp diode is connected to the gate of the output MOS, activating the dynamic clamp circuit.

When the over-voltage is applied to V_{CC} , the gate voltage and source voltage of SW1 are both nearly equal to GND. SW1 is not turned on, the clamp diode is not connected to the gate of the output MOS, and the dynamic clamp circuit is not activated.



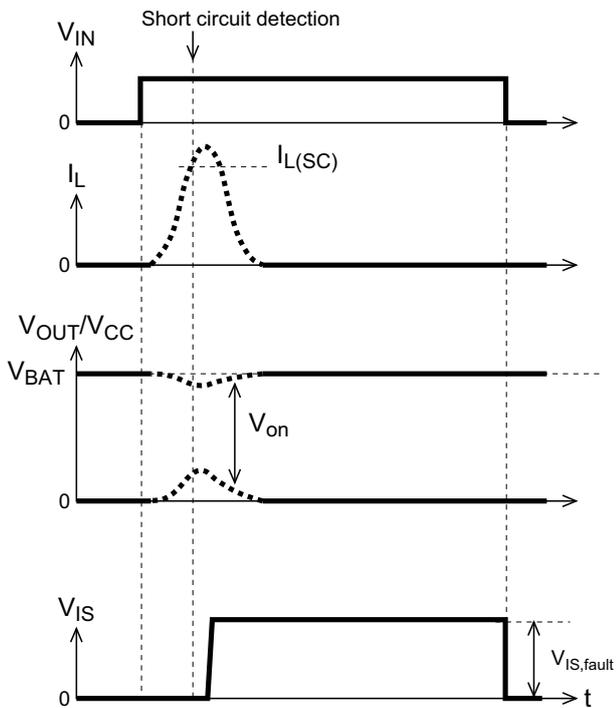
3.6.2 Short Circuit Protection

Case 1: IN pin is high in an overload condition, which includes a short circuit condition.

The device shuts down automatically when either or both of following conditions (a, b) is detected. The sense signal is fixed at $V_{IS, fault}$. Shutdown is latched until the next reset via input. The device shuts down automatically when condition (c) is detected with auto restart by cooling down.

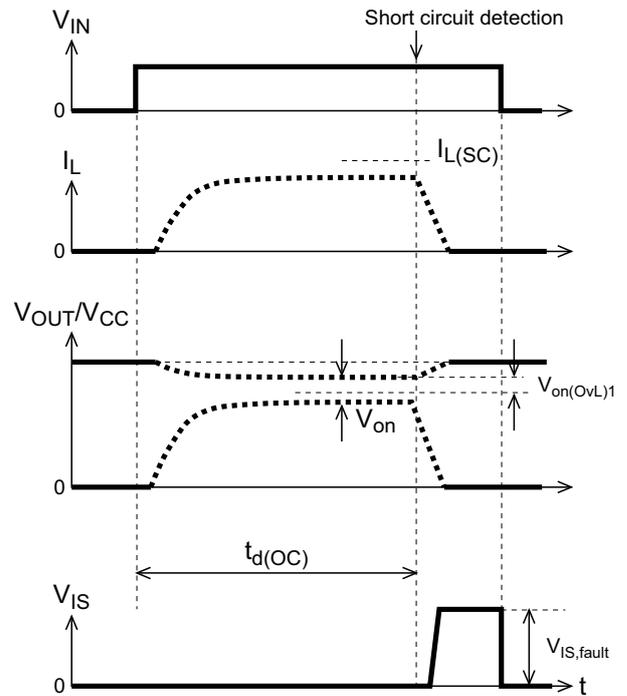
- (a) $I_L > I_{L(SC)}$
- (b) $V_{on} > V_{on(OvL)1}$ after $t_{d(OC)}$
- (c) $T_{ch} > T_{th}$

Case 1-(a) $I_L > I_{L(SC)}$



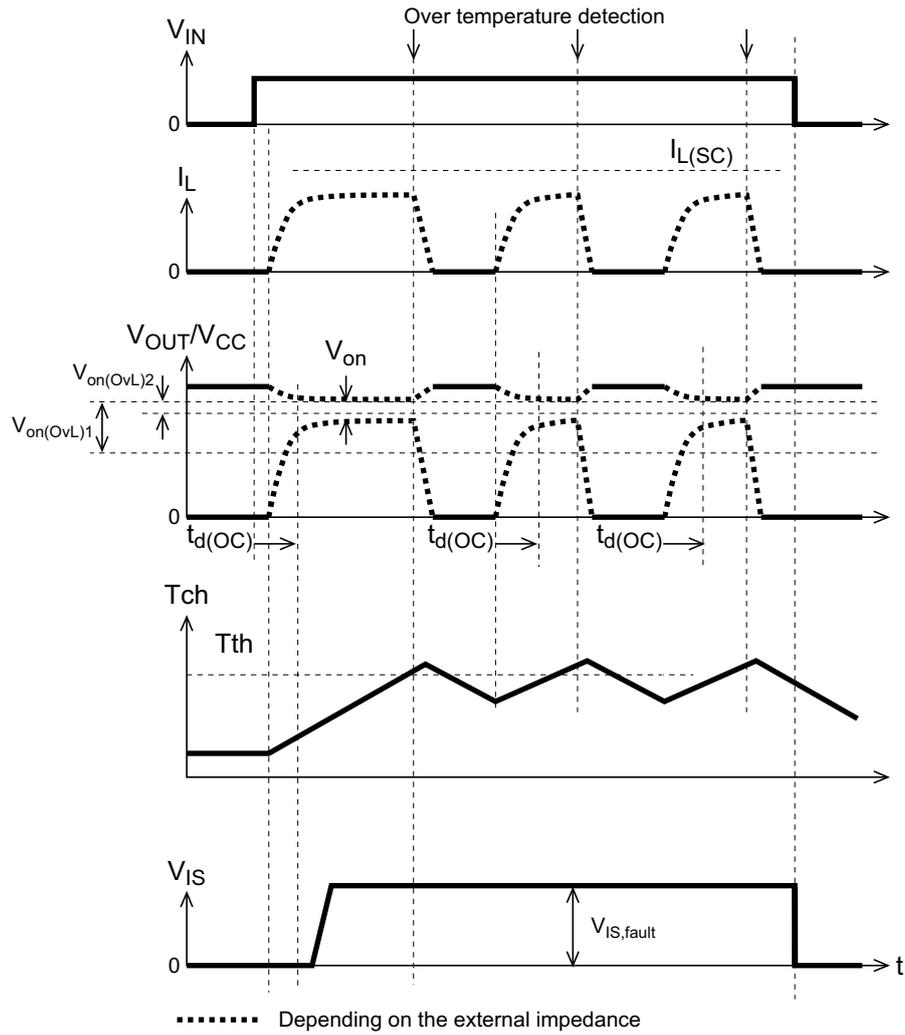
..... Depending on the external impedance

Case 1-(b) $V_{on} > V_{on(OvL)1}$ after $t_{d(OC)}$

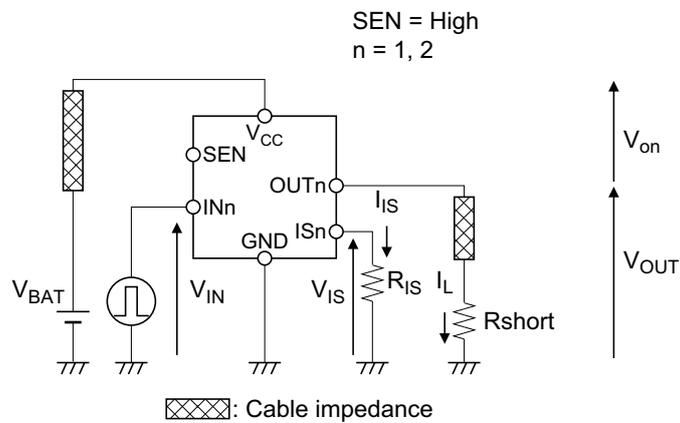


..... Depending on the external impedance

Case1-(c) $T_{ch} > T_{th}$



(Evaluation circuit)

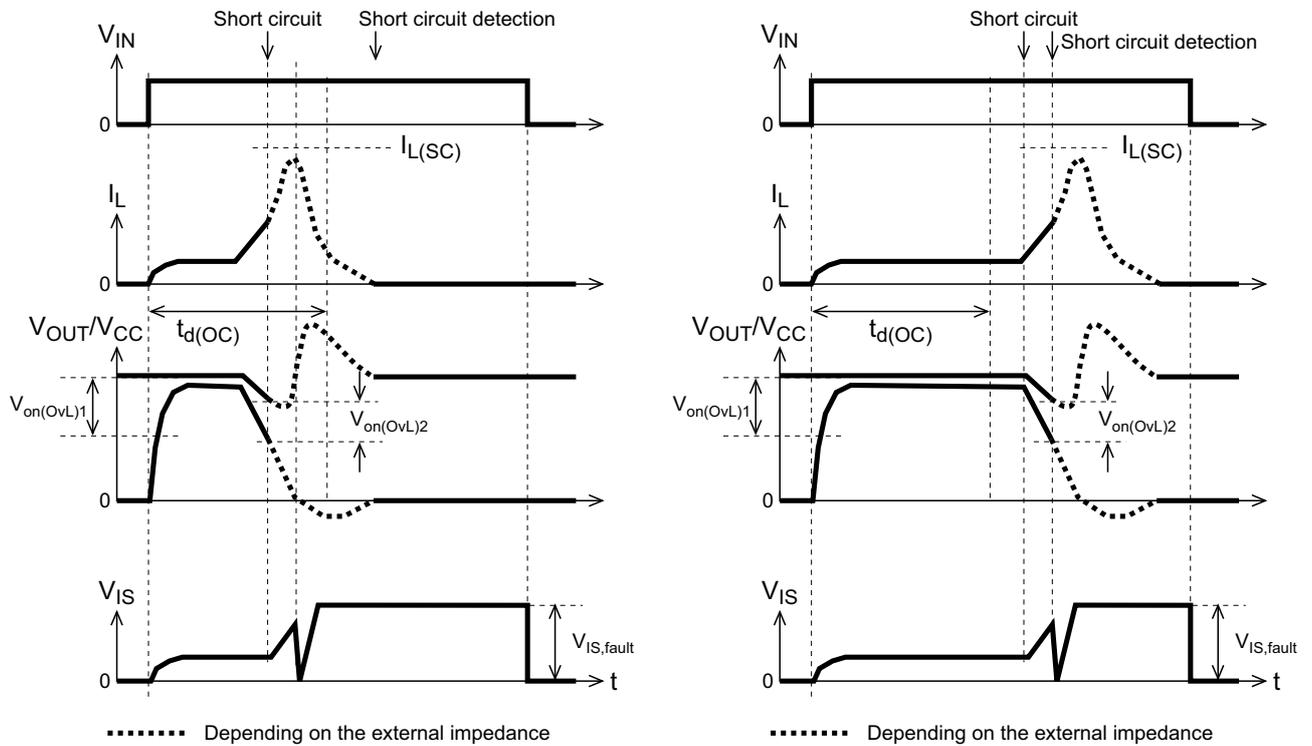


Case 2: Short circuit during on-condition

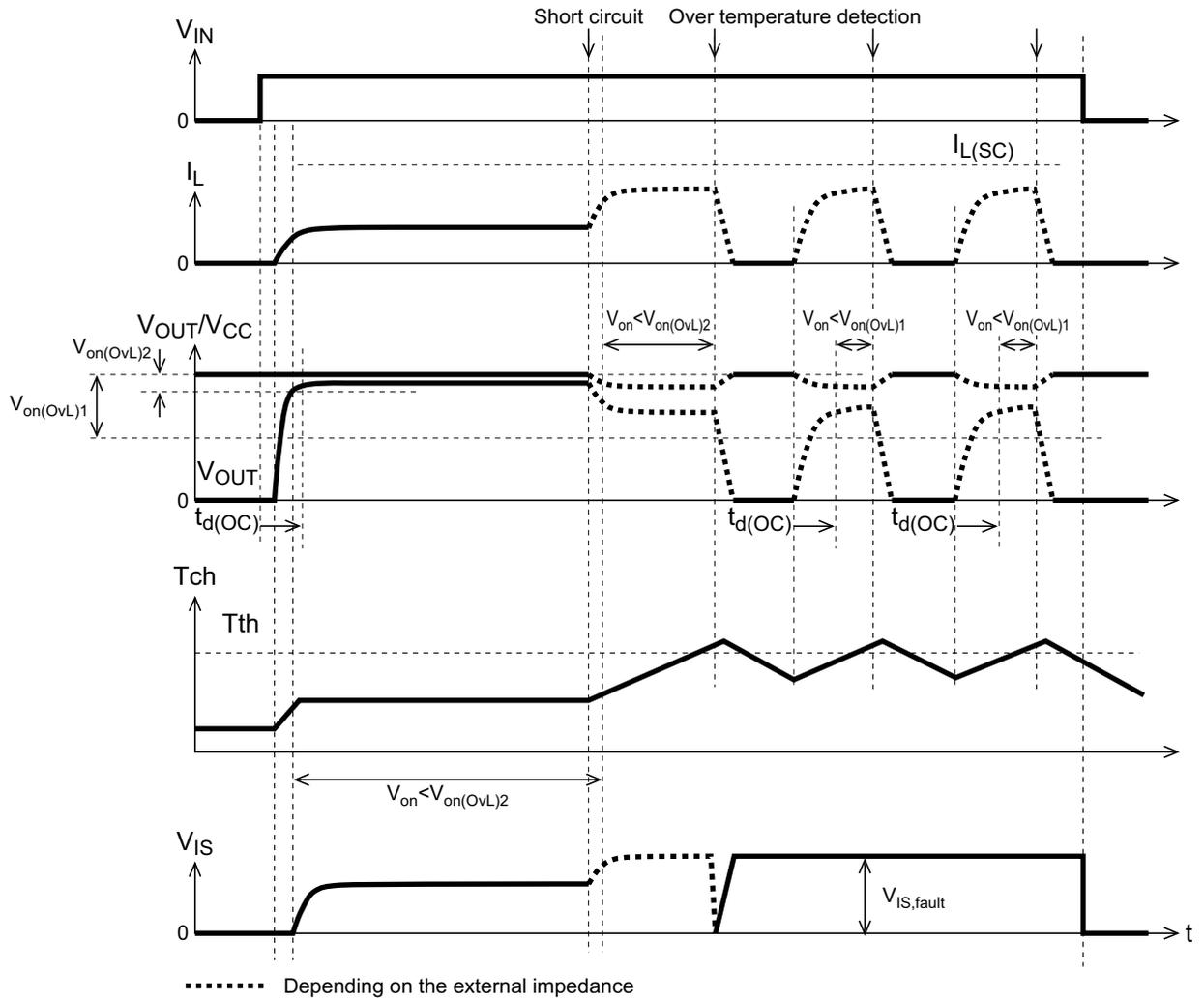
The device shuts down automatically when either or both of following conditions (a) is detected. Detection (a) value is activate after $V_{on(OvL)2}$. There is hysteresis between detection (a) value and activate (a) value. The sense signal is fixed at $V_{IS, fault}$. Shutdown is latched until the next reset via input. The device shuts down automatically when condition (b) is detected with auto restart by cooling down.

- (a) $V_{on} > V_{on(OvL)2}$ after $V_{on} < V_{on(OvL)2}$
- (b) $T_{ch} > T_{th}$

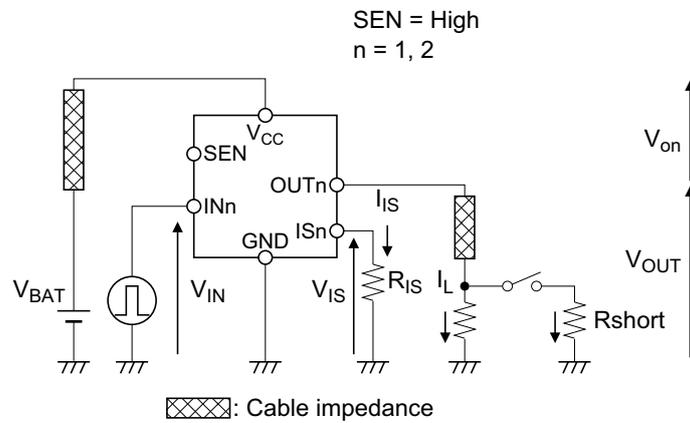
Case 2-(a) $V_{on} > V_{on(OvL)2}$ after $V_{on} < V_{on(OvL)2}$



Case2-(b) Tch > Tth

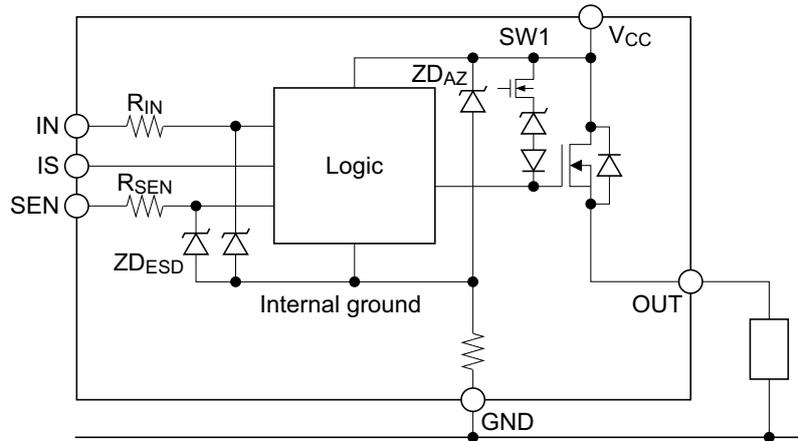


(Evaluation circuit)



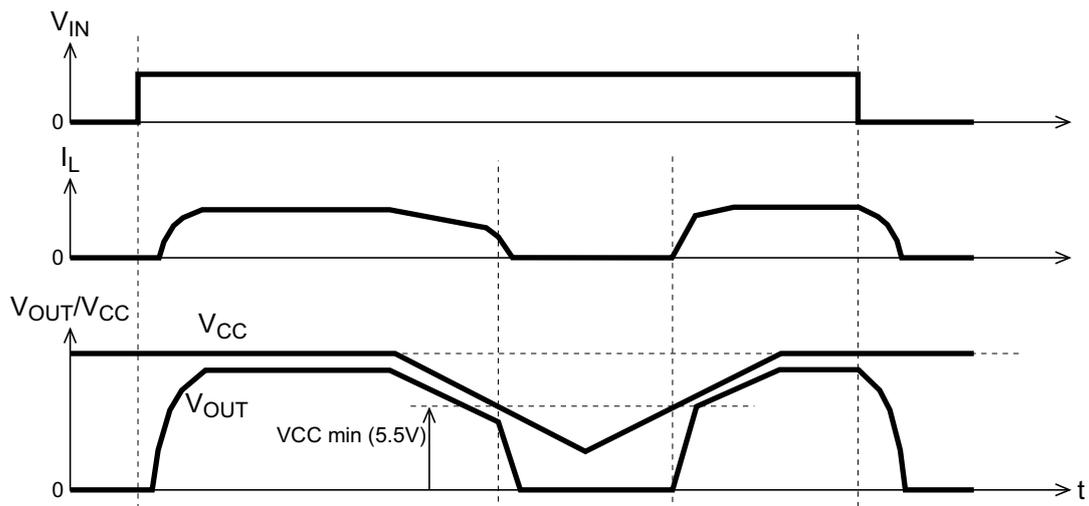
3.6.3 Device Behavior at Over Voltage Condition

In case of supply voltage greater than V_{CC4} , logic part is clamped by ZD_{AZ} . And current through of logic part is limited by internal ground resistor. In addition, the power transistor switches off in order to protect the load from over voltage. Supply voltage at V_{CC} pin must not apply over V_{CC4} .



3.6.4 Device Behavior at Low Voltage Condition

If the voltage supply (V_{CC}) goes down under V_{CC} min (5.5 V), the device shuts down the output. If voltage supply (V_{CC}) increase over V_{CC} min (5.5 V), the device turns on the output automatically. The device keeps off state after under voltage shutdown.



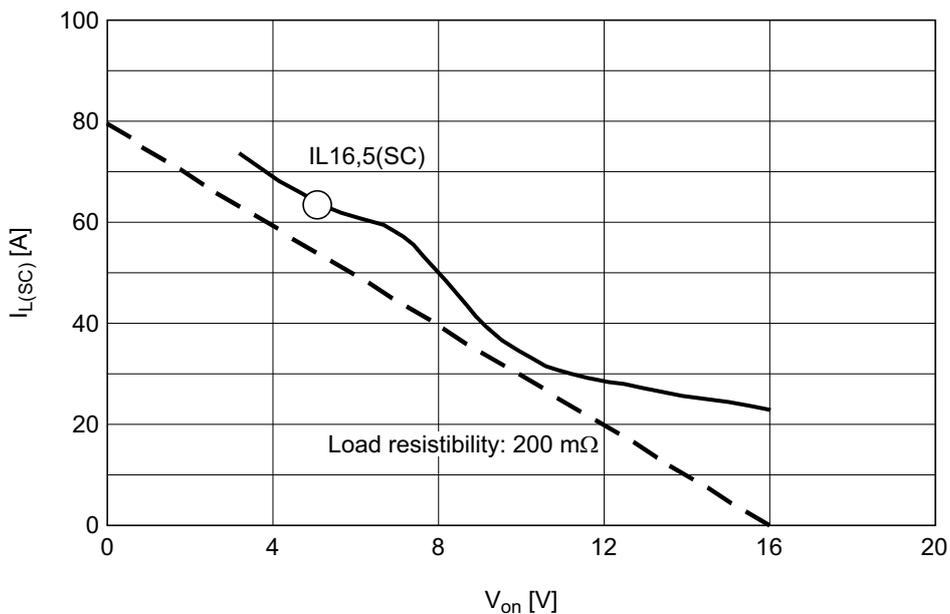
3.6.5 Loss of Ground Protection

In case of complete loss of the device ground connections, but connected load ground, the device keeps in on state or securely changes to or keeps in off state depend on V_{IN} condition.

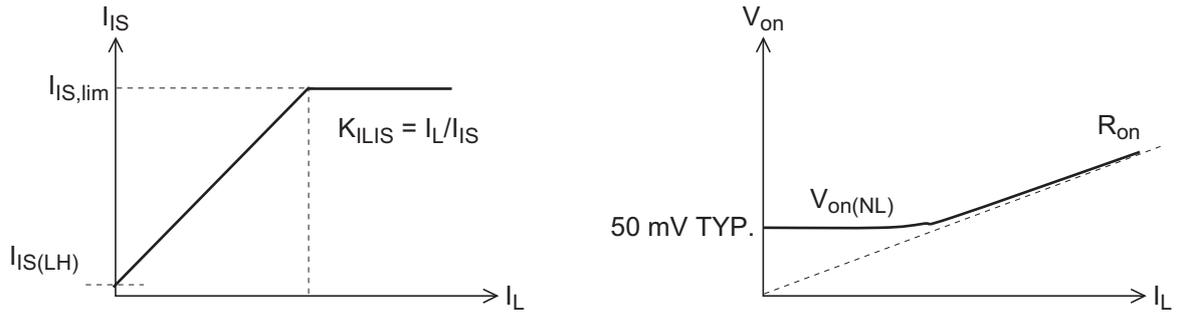
3.6.6 Driving Capability

μPD166011 can drive above 200 mΩ as load resistibility include load itself, wire harness, contact resistance of connector, wiring resistibility of PCB at $V_{CC} = 9$ to 16 V, $T_{ch} = 25^{\circ}\text{C}$ condition.

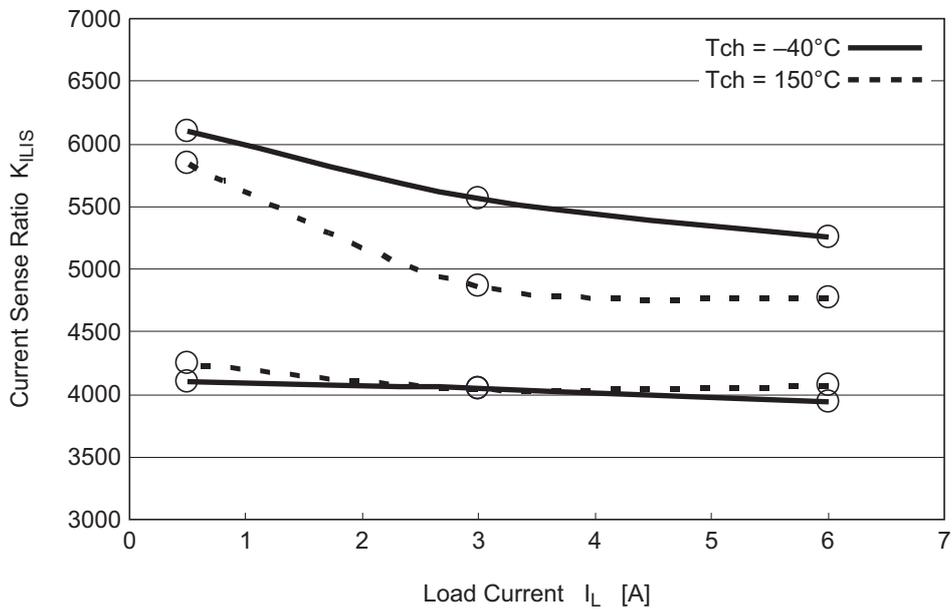
The short circuit detection current changes according V_{CC} voltage and V_{on} voltage for the purpose of to be strength of the robustness under short circuit condition.



3.6.7 Current Sense Output

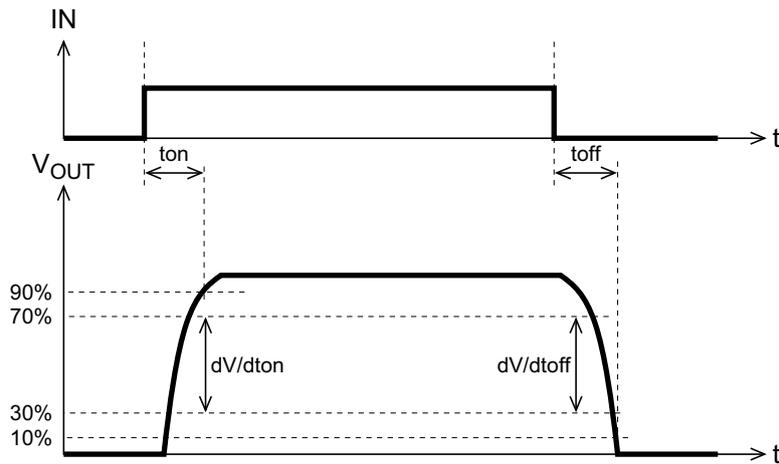


Current Sense Ratio



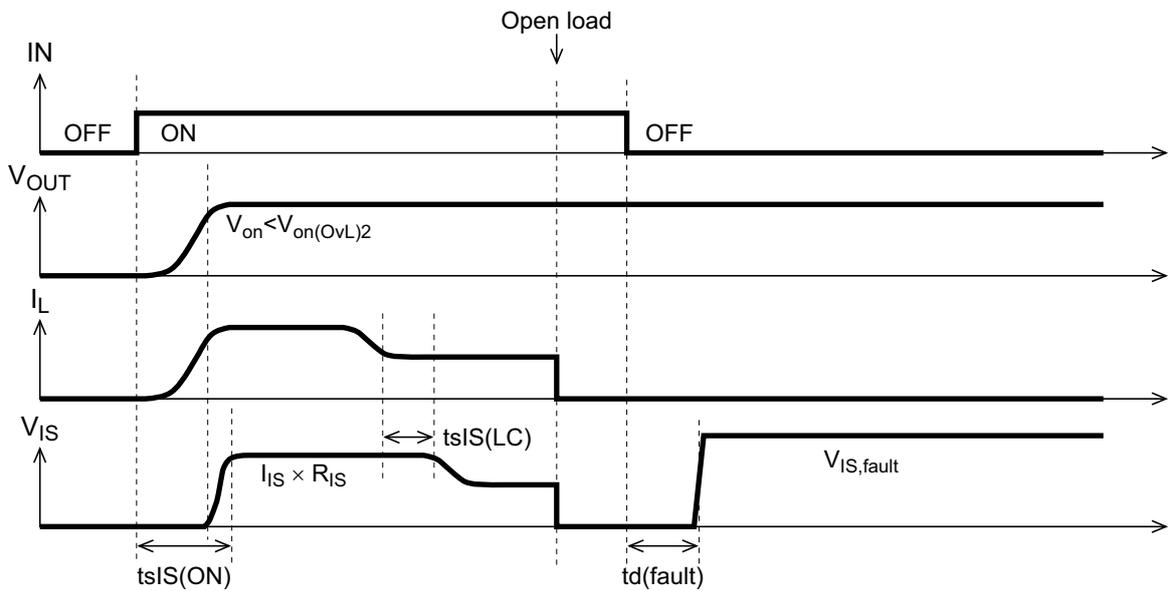
3.6.8 Measurement Condition

Switching waveform of OUT pin

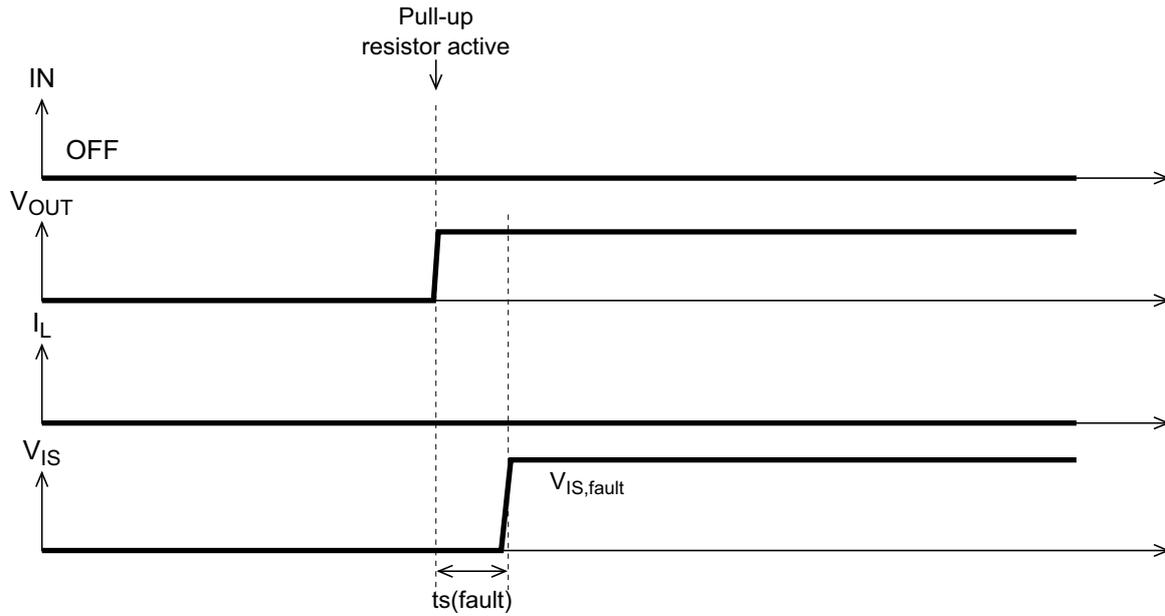


3.6.9 Diagnostics

- Normal operation to open load condition, pull-up resistor active condition



- Pull-up resistor inactive to active during open load condition



3.6.10 Truth Table

	SEN	INPUT	OUTPUT	Diagnostic Output
Normal operation	H	H	V _{CC}	$I_{IS} = I_L/K_{ILIS}$
	H	L	L ^{*1}	L ^{*2}
Short circuit to GND	H	H	L ^{*1}	V _{IS,fault}
	H	L	L ^{*1}	L ^{*2}
Short circuit to V _{CC}	H	H	V _{CC}	$<I_{IS} = I_L/K_{ILIS}$
	H	L	V _{CC}	V _{IS,fault}
Over temperature	H	H	L ^{*1}	V _{IS,fault} ^{*3}
	H	L	L ^{*1}	L ^{*2}
Open load	H	H	V _{CC}	L ^{*2}
	H	L	Hi-Z	V _{IS,fault} in case of OUT>V _{OUT(OL)}

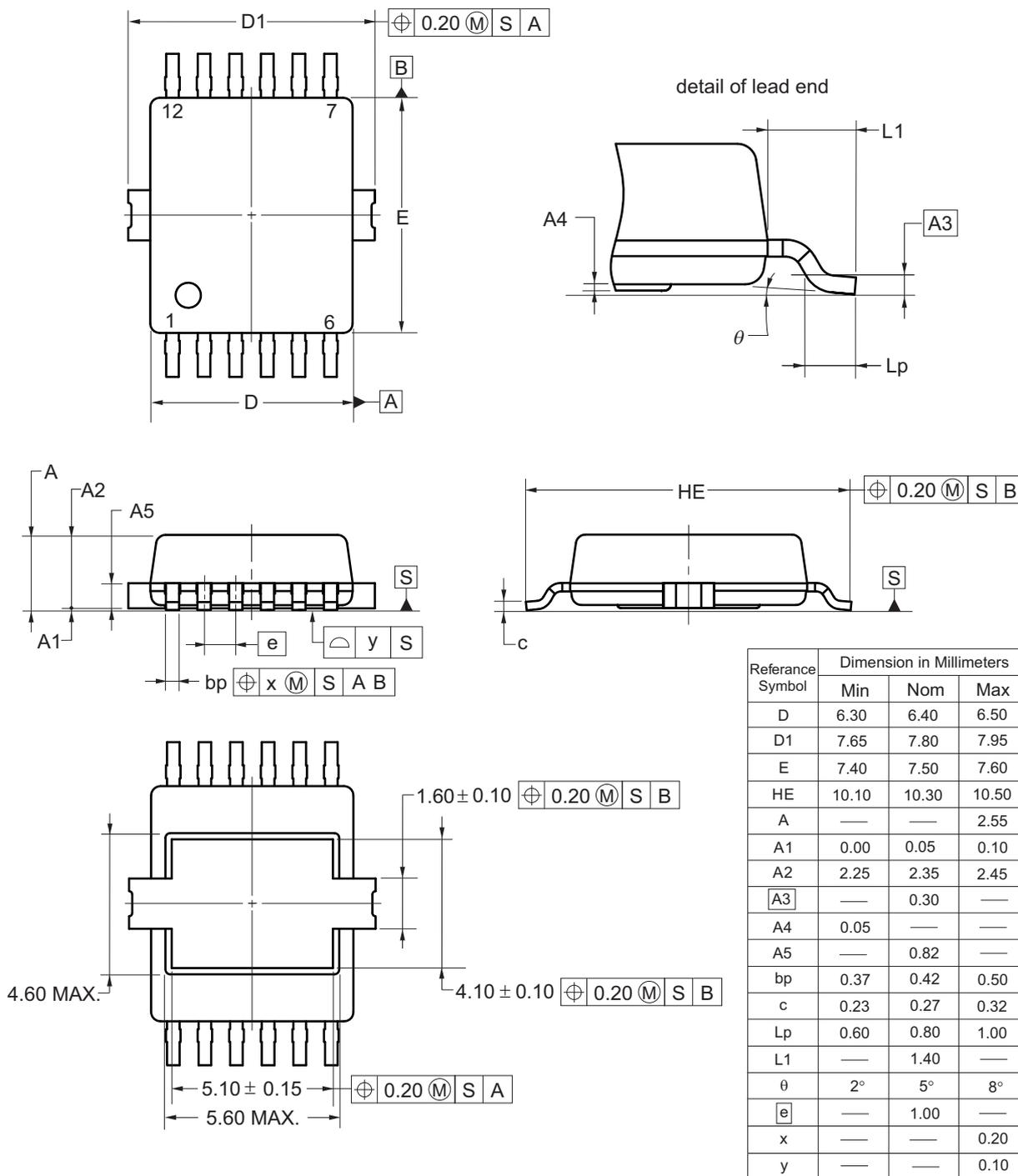
Notes: *1 In case of OUT pin is connected to GND via load.

*2 In case of IS pin is connected to GND via resistor.

*3 IS pin keeps V_{IS,fault} as long as input signal activate after the first thermal shutdown.

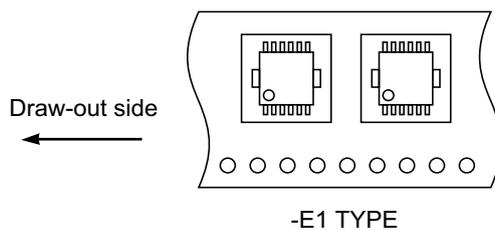
3.7 Package Drawings (Unit: mm)

JEITA Package Code	RENESAS Code	Previous Code	MASS (TYP.) [g]
-	PRSP0013FA-A	P12S1-100-111	0.4



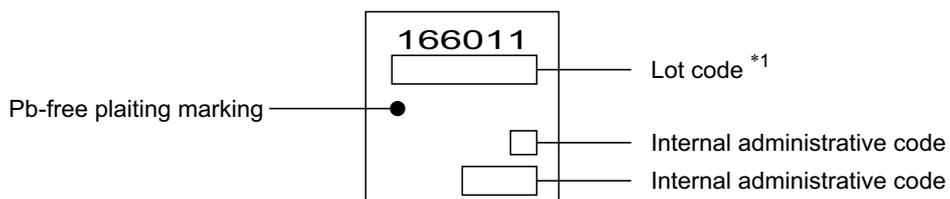
3.8 Taping Information

This is one type (E1) of direction of the device in the career tape.

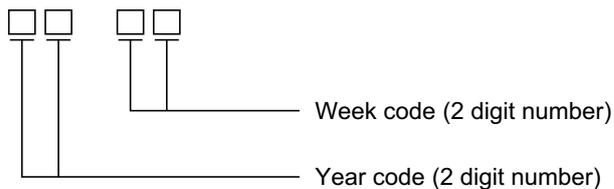


3.9 Marking Information

This figure indicates the marking items and arrangement. However, details of the letterform, the size and the position aren't indicated.

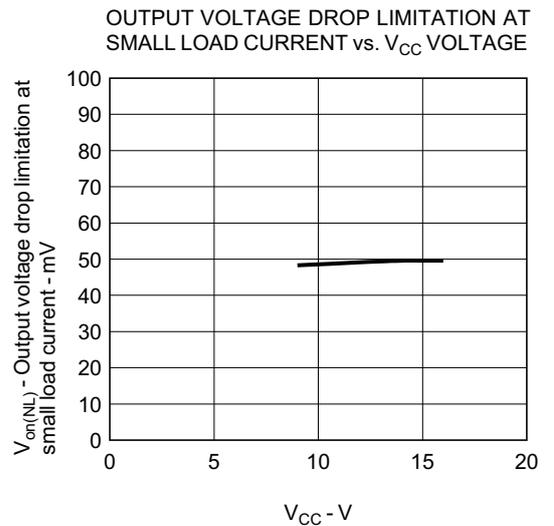
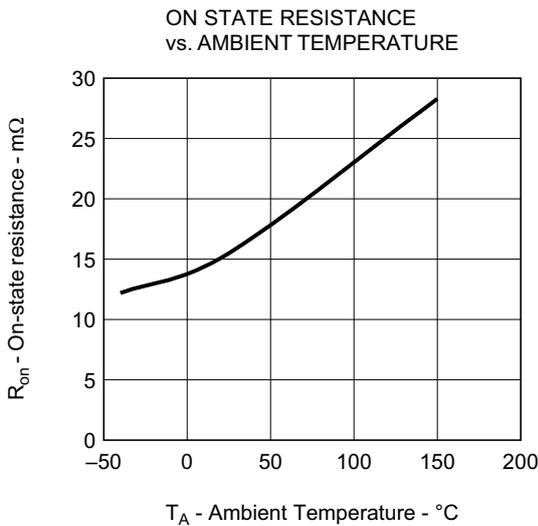
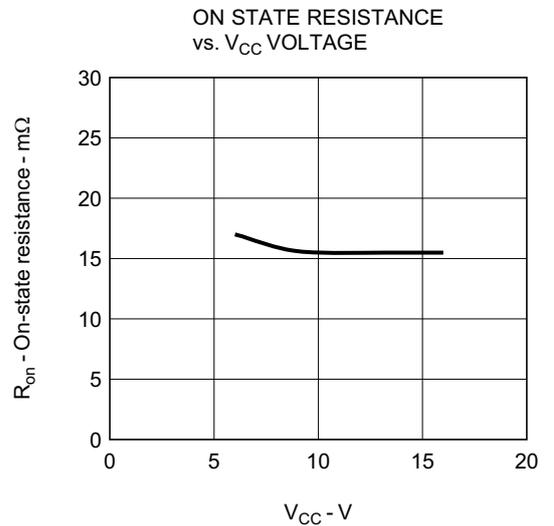
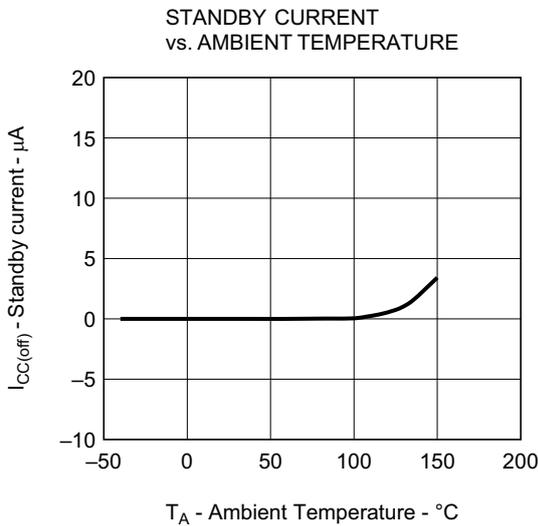
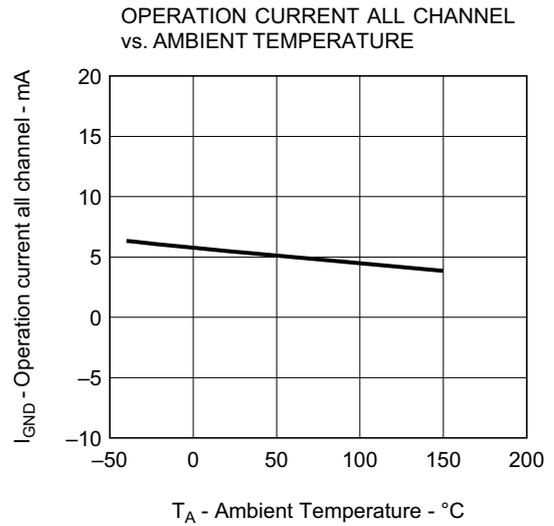
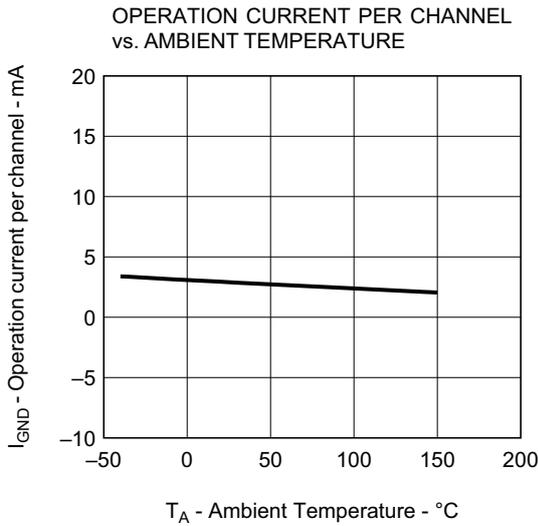


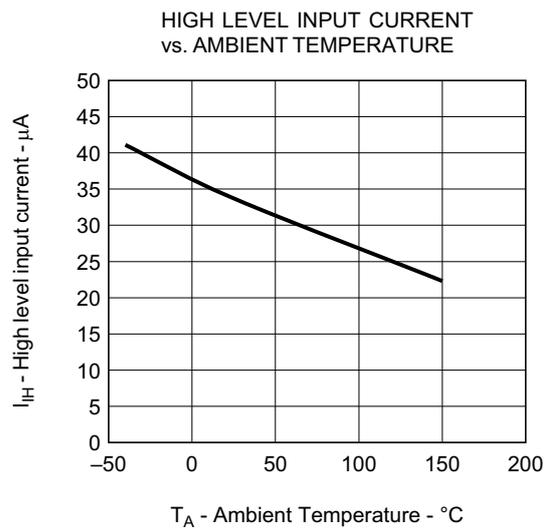
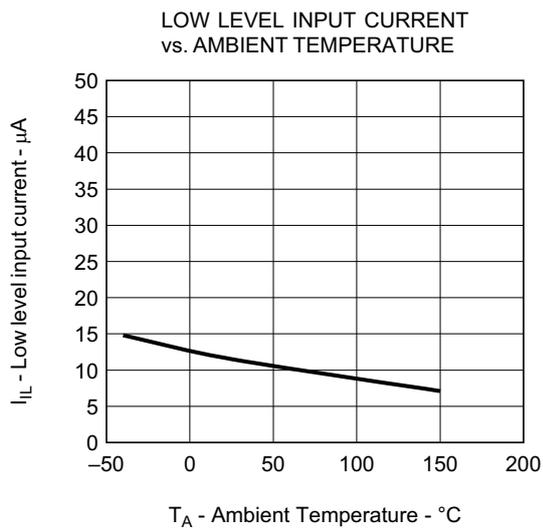
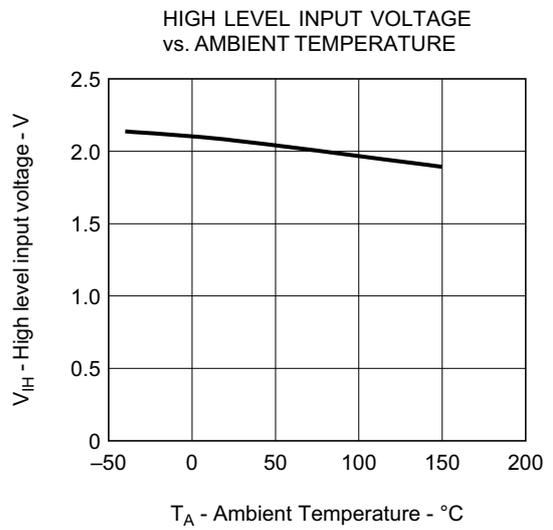
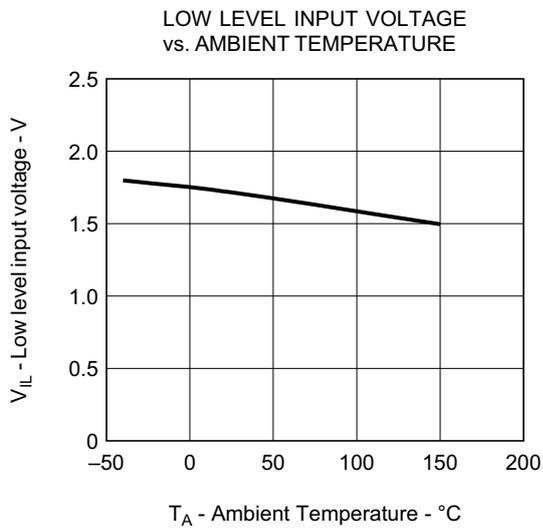
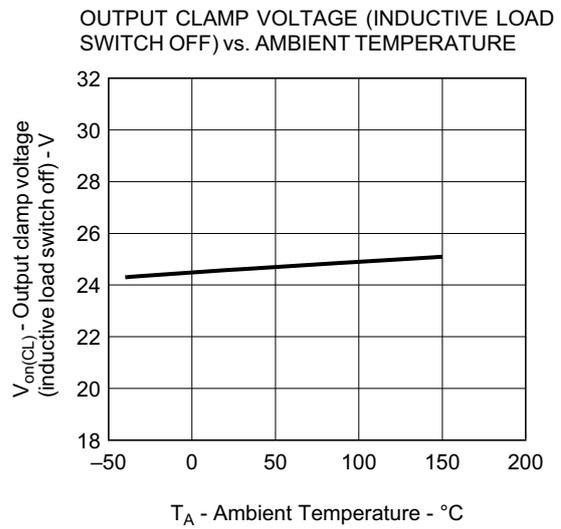
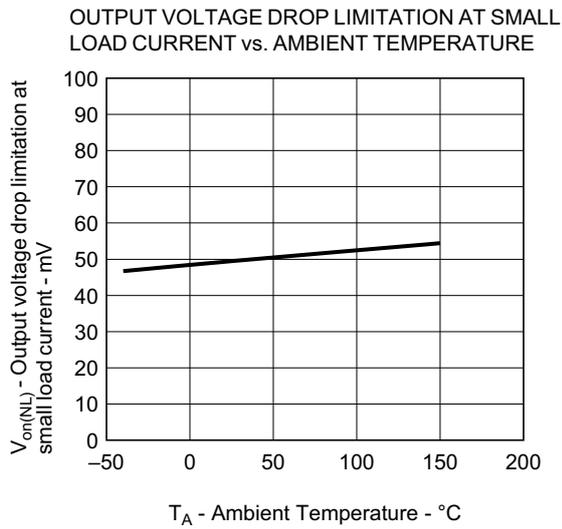
Note: *1. Composition of the lot code

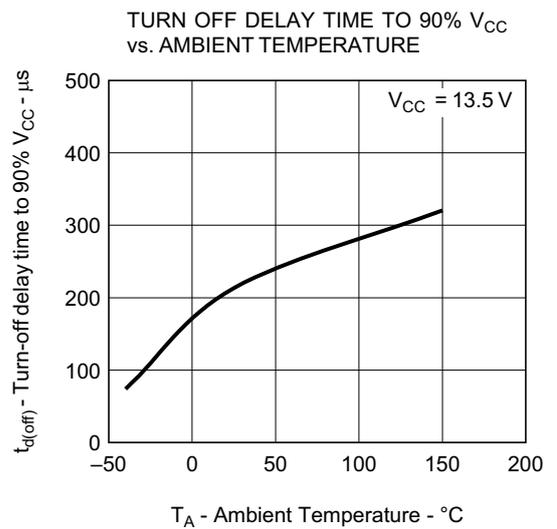
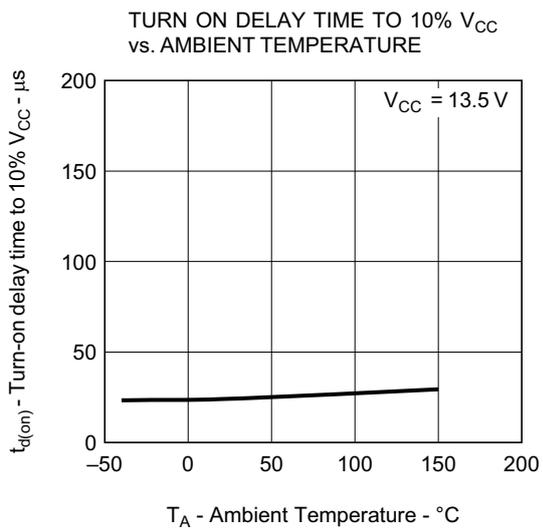
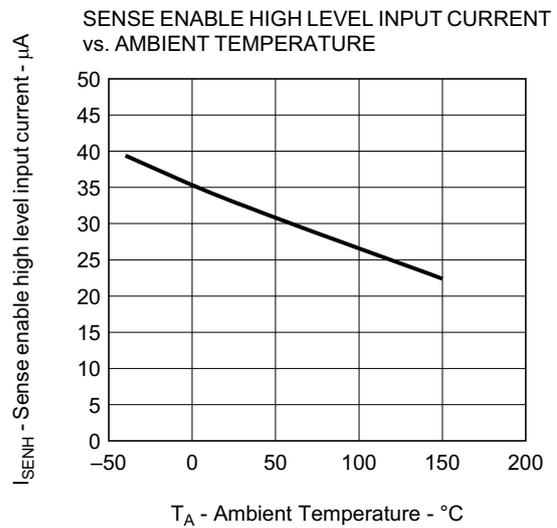
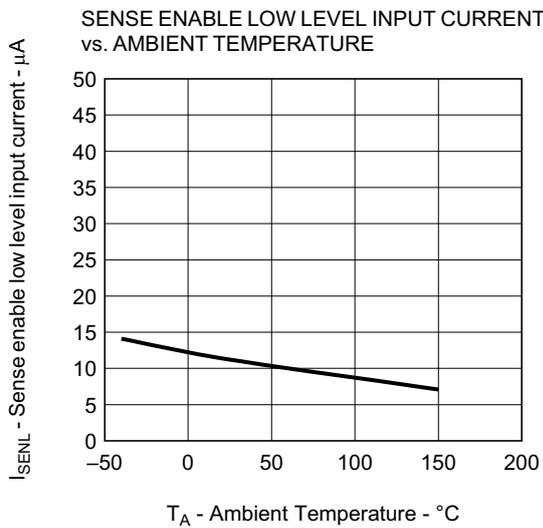
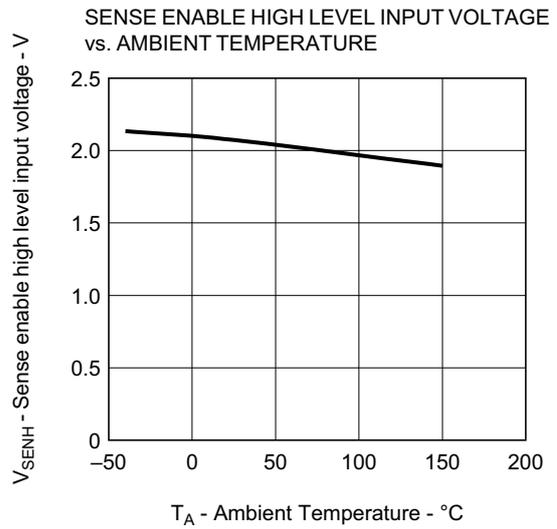
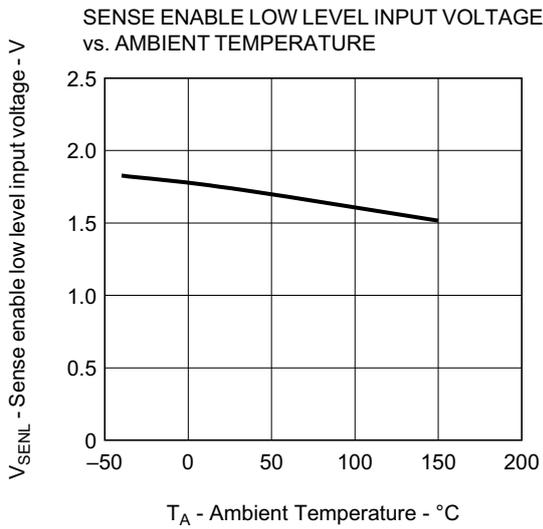


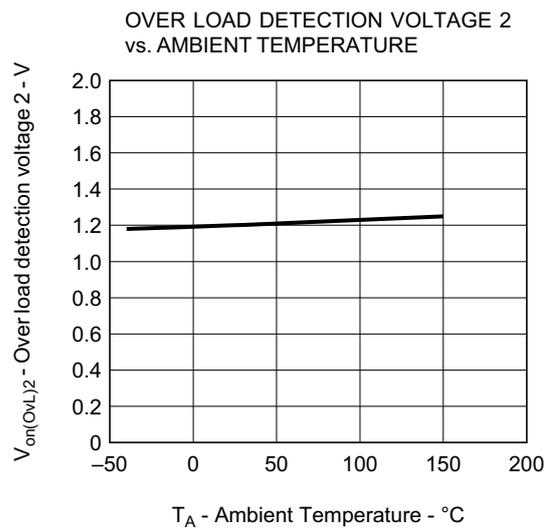
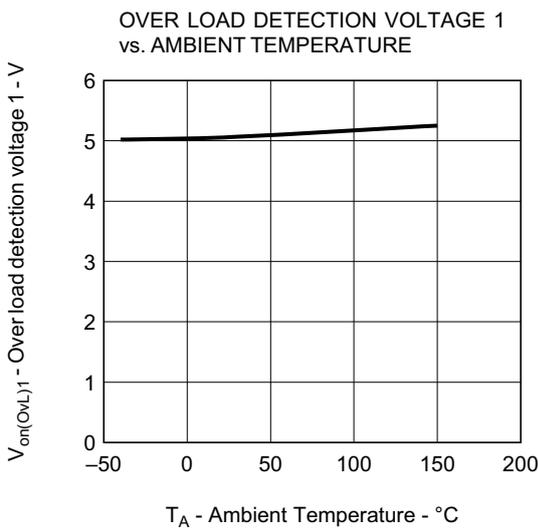
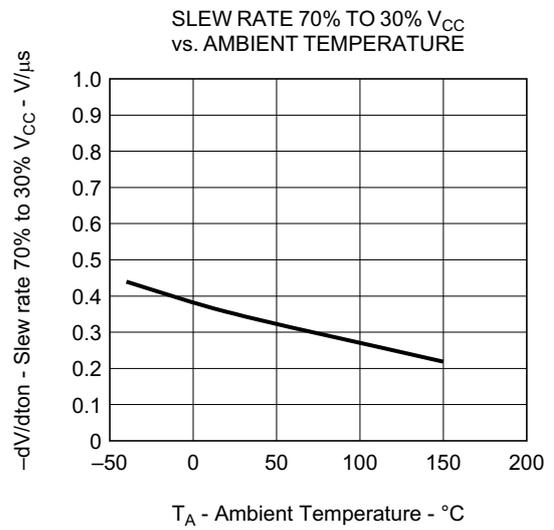
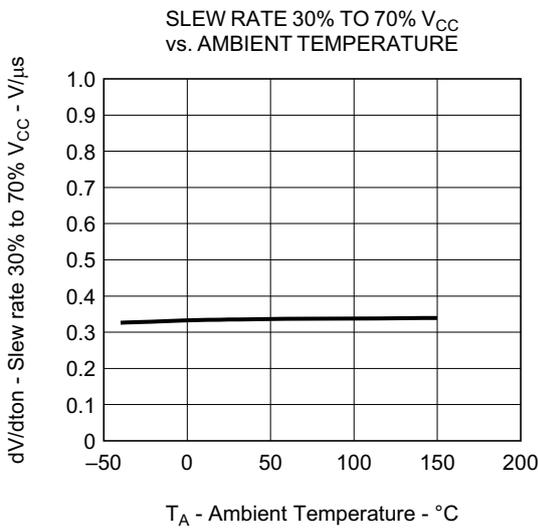
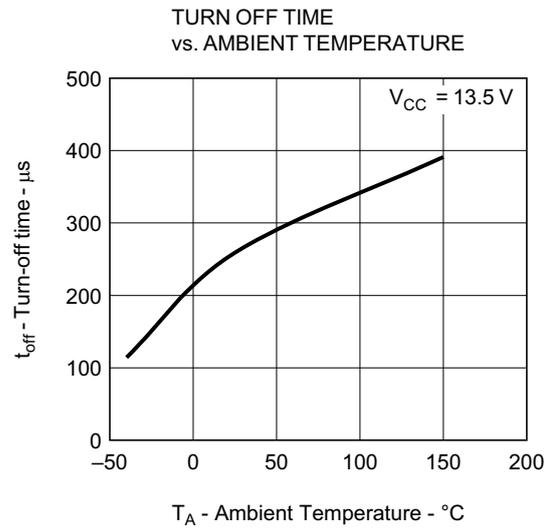
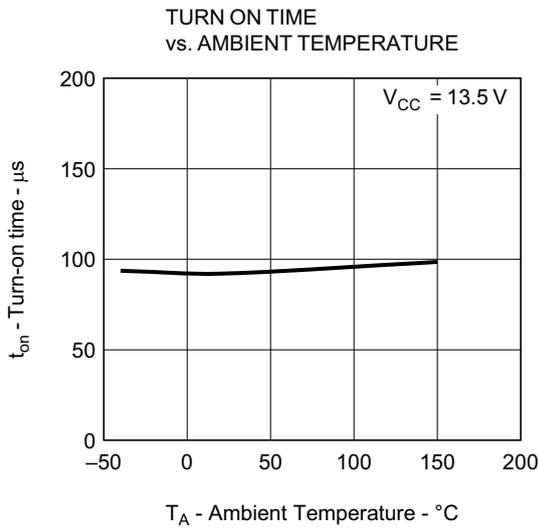
4. Typical Characteristics

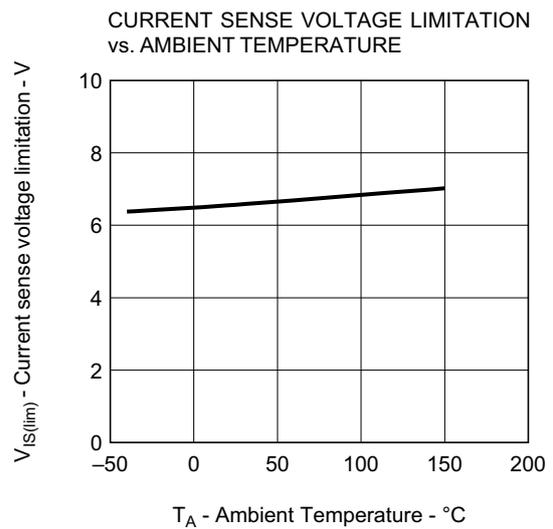
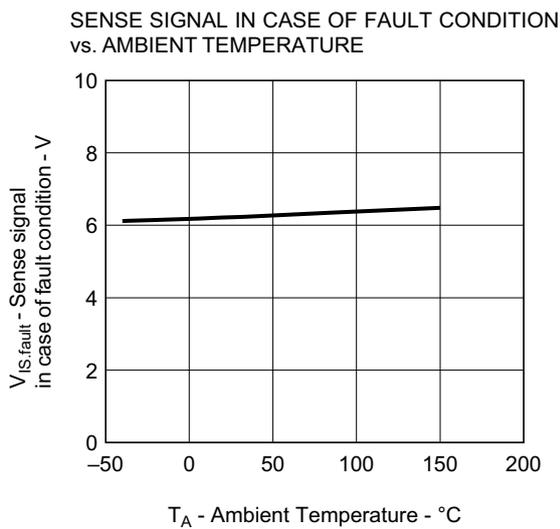
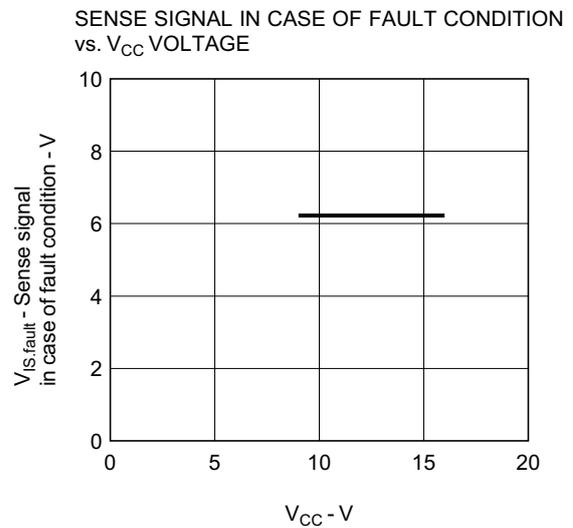
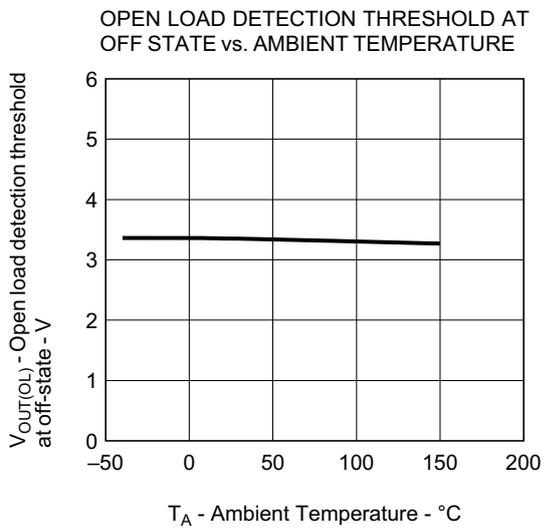
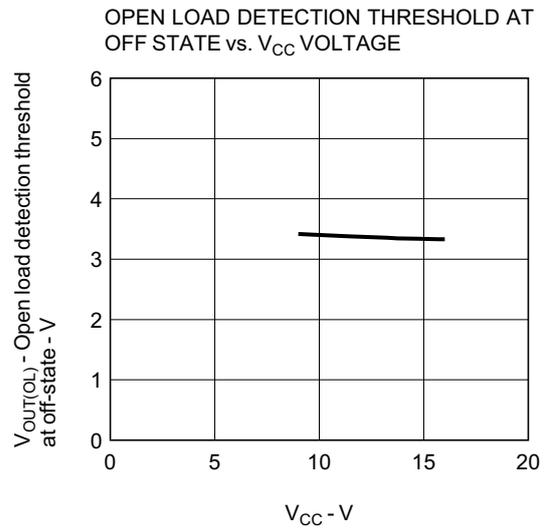
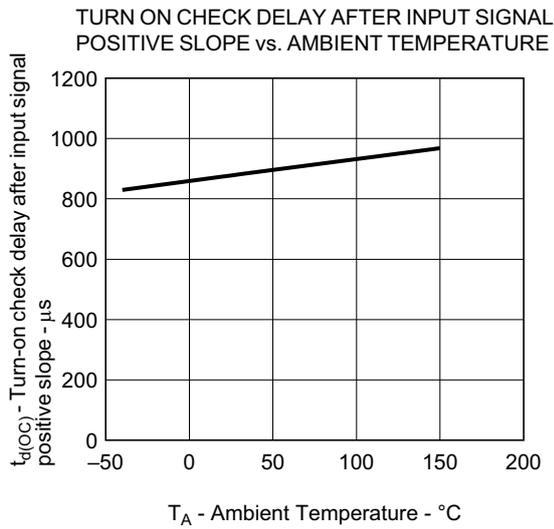
($T_{ch} = 25^{\circ}\text{C}$, $V_{CC} = 12\text{ V}$, unless otherwise specified)

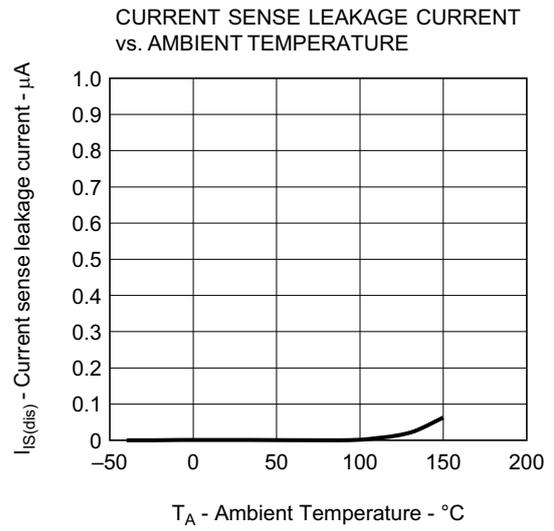
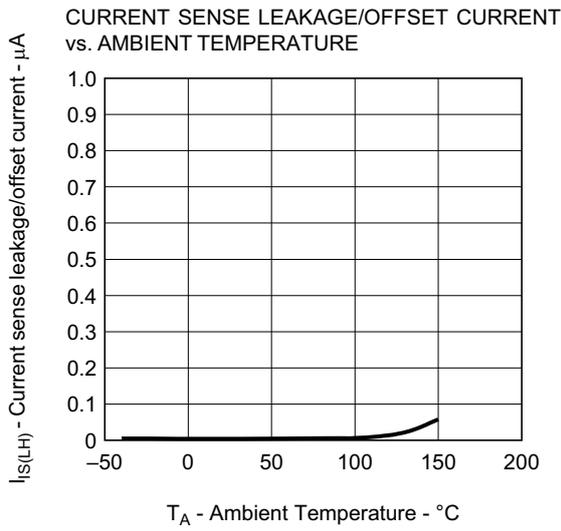






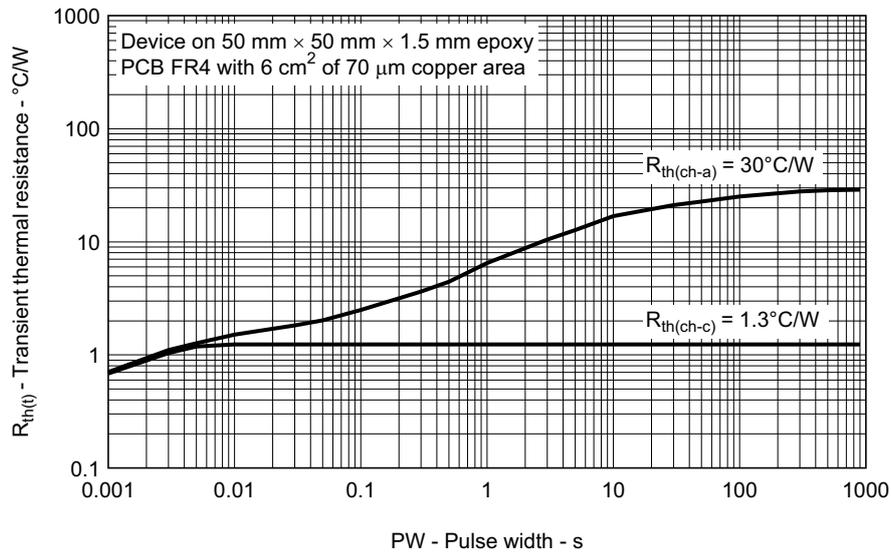




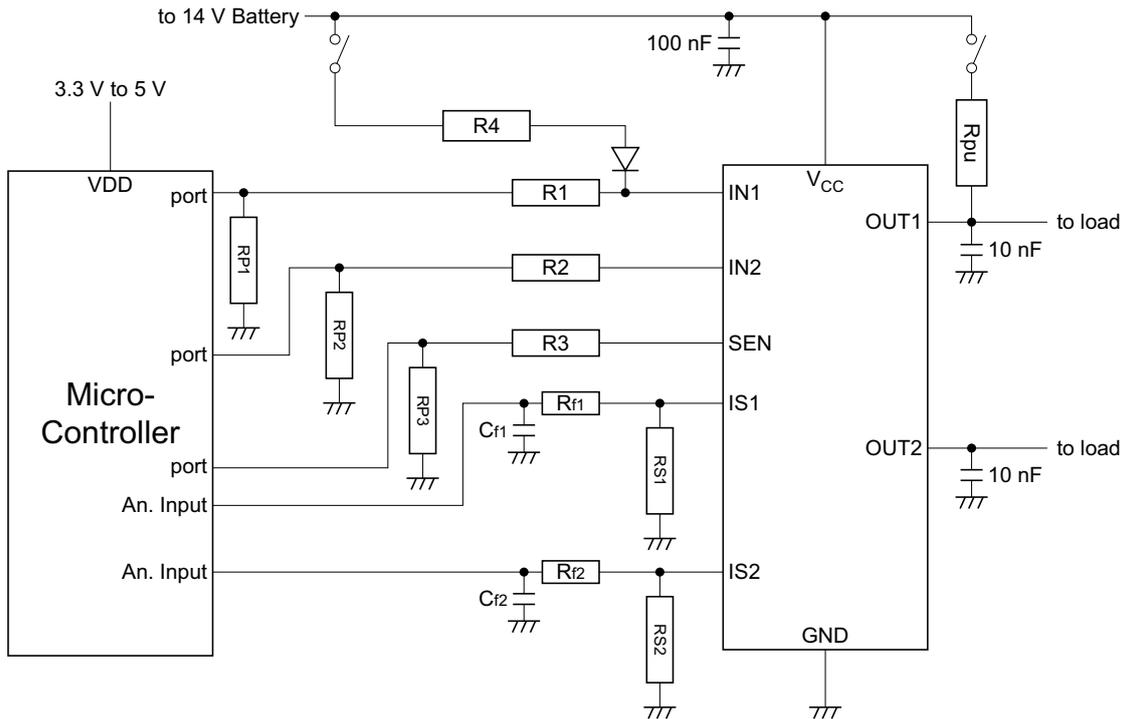


5. Thermal Characteristics

TRANSIENT THERMAL RESISTANCE vs. PULSE WIDTH



6. Application Example in Principle



Note: R4 is for Limp home mode for channel 1. When R4 is used, RP1 are necessary.

Revision History	μPD166011T1J Data Sheet
-------------------------	--------------------------------

Rev.	Date	Description	
		Page	Summary
1.00	Aug 20, 2012	—	First Edition Issued

All trademarks and registered trademarks are the property of their respective owners.

Notice

1. Descriptions of circuits, software and other related information in this document are provided only to illustrate the operation of semiconductor products and application examples. You are fully responsible for the incorporation of these circuits, software, and information in the design of your equipment. Renesas Electronics assumes no responsibility for any losses incurred by you or third parties arising from the use of these circuits, software, or information.
 2. Renesas Electronics has used reasonable care in preparing the information included in this document, but Renesas Electronics does not warrant that such information is error free. Renesas Electronics assumes no liability whatsoever for any damages incurred by you resulting from errors in or omissions from the information included herein.
 3. Renesas Electronics does not assume any liability for infringement of patents, copyrights, or other intellectual property rights of third parties by or arising from the use of Renesas Electronics products or technical information described in this document. No license, express, implied or otherwise, is granted hereby under any patents, copyrights or other intellectual property rights of Renesas Electronics or others.
 4. You should not alter, modify, copy, or otherwise misappropriate any Renesas Electronics product, whether in whole or in part. Renesas Electronics assumes no responsibility for any losses incurred by you or third parties arising from such alteration, modification, copy or otherwise misappropriation of Renesas Electronics product.
 5. Renesas Electronics products are classified according to the following two quality grades: "Standard" and "High Quality". The recommended applications for each Renesas Electronics product depends on the product's quality grade, as indicated below.
"Standard": Computers; office equipment; communications equipment; test and measurement equipment; audio and visual equipment; home electronic appliances; machine tools; personal electronic equipment; and industrial robots etc.
"High Quality": Transportation equipment (automobiles, trains, ships, etc.); traffic control systems; anti-disaster systems; anti-crime systems; and safety equipment etc.
Renesas Electronics products are neither intended nor authorized for use in products or systems that may pose a direct threat to human life or bodily injury (artificial life support devices or systems, surgical implantations etc.), or may cause serious property damages (nuclear reactor control systems, military equipment etc.). You must check the quality grade of each Renesas Electronics product before using it in a particular application. You may not use any Renesas Electronics product for any application for which it is not intended. Renesas Electronics shall not be in any way liable for any damages or losses incurred by you or third parties arising from the use of any Renesas Electronics product for which the product is not intended by Renesas Electronics.
 6. You should use the Renesas Electronics products described in this document within the range specified by Renesas Electronics, especially with respect to the maximum rating, operating supply voltage range, movement power voltage range, heat radiation characteristics, installation and other product characteristics. Renesas Electronics shall have no liability for malfunctions or damages arising out of the use of Renesas Electronics products beyond such specified ranges.
 7. Although Renesas Electronics endeavors to improve the quality and reliability of its products, semiconductor products have specific characteristics such as the occurrence of failure at a certain rate and malfunctions under certain use conditions. Further, Renesas Electronics products are not subject to radiation resistance design. Please be sure to implement safety measures to guard them against the possibility of physical injury, and injury or damage caused by fire in the event of the failure of a Renesas Electronics product, such as safety design for hardware and software including but not limited to redundancy, fire control and malfunction prevention, appropriate treatment for aging degradation or any other appropriate measures. Because the evaluation of microcomputer software alone is very difficult, please evaluate the safety of the final products or systems manufactured by you.
 8. Please contact a Renesas Electronics sales office for details as to environmental matters such as the environmental compatibility of each Renesas Electronics product. Please use Renesas Electronics products in compliance with all applicable laws and regulations that regulate the inclusion or use of controlled substances, including without limitation, the EU RoHS Directive. Renesas Electronics assumes no liability for damages or losses occurring as a result of your noncompliance with applicable laws and regulations.
 9. Renesas Electronics products and technology may not be used for or incorporated into any products or systems whose manufacture, use, or sale is prohibited under any applicable domestic or foreign laws or regulations. You should not use Renesas Electronics products or technology described in this document for any purpose relating to military applications or use by the military, including but not limited to the development of weapons of mass destruction. When exporting the Renesas Electronics products or technology described in this document, you should comply with the applicable export control laws and regulations and follow the procedures required by such laws and regulations.
 10. It is the responsibility of the buyer or distributor of Renesas Electronics products, who distributes, disposes of, or otherwise places the product with a third party, to notify such third party in advance of the contents and conditions set forth in this document, Renesas Electronics assumes no responsibility for any losses incurred by you or third parties as a result of unauthorized use of Renesas Electronics products.
 11. This document may not be reproduced or duplicated in any form, in whole or in part, without prior written consent of Renesas Electronics.
 12. Please contact a Renesas Electronics sales office if you have any questions regarding the information contained in this document or Renesas Electronics products, or if you have any other inquiries.
- (Note 1) "Renesas Electronics" as used in this document means Renesas Electronics Corporation and also includes its majority-owned subsidiaries.
(Note 2) "Renesas Electronics product(s)" means any product developed or manufactured by or for Renesas Electronics.



SALES OFFICES

Renesas Electronics Corporation

<http://www.renesas.com>

Refer to "<http://www.renesas.com/>" for the latest and detailed information.

Renesas Electronics America Inc.
2880 Scott Boulevard Santa Clara, CA 95050-2554, U.S.A.
Tel: +1-408-588-6000, Fax: +1-408-588-6130

Renesas Electronics Canada Limited
1101 Nicholson Road, Newmarket, Ontario L3Y 9C3, Canada
Tel: +1-905-898-5441, Fax: +1-905-898-3220

Renesas Electronics Europe Limited
Dukes Meadow, Millboard Road, Bourne End, Buckinghamshire, SL8 5FH, U.K.
Tel: +44-1628-651-700, Fax: +44-1628-651-804

Renesas Electronics Europe GmbH
Arcadiastrasse 10, 40472 Düsseldorf, Germany
Tel: +49-211-65030, Fax: +49-211-6503-1327

Renesas Electronics (China) Co., Ltd.
7th Floor, Quantum Plaza, No.27 ZhiChunLu Haidian District, Beijing 100083, P.R.China
Tel: +86-10-8235-1155, Fax: +86-10-8235-7679

Renesas Electronics (Shanghai) Co., Ltd.
Unit 204, 205, AZIA Center, No.1233 Lujiazui Ring Rd., Pudong District, Shanghai 200120, China
Tel: +86-21-5877-1818, Fax: +86-21-6887-7858 / -7898

Renesas Electronics Hong Kong Limited
Unit 1601-1613, 16/F., Tower 2, Grand Century Place, 193 Prince Edward Road West, Mongkok, Kowloon, Hong Kong
Tel: +852-2886-9318, Fax: +852 2886-9022/9044

Renesas Electronics Taiwan Co., Ltd.
13F, No. 363, Fu Shing North Road, Taipei, Taiwan
Tel: +886-2-8175-9600, Fax: +886 2-8175-9670

Renesas Electronics Singapore Pte. Ltd.
80 Bendemeer Road, Unit #06-02 Hyflux Innovation Centre Singapore 339949
Tel: +65-6213-0200, Fax: +65-6213-0300

Renesas Electronics Malaysia Sdn.Bhd.
Unit 906, Block B, Menara Amcorp, Amcorp Trade Centre, No. 18, Jln Persiaran Barat, 46050 Petaling Jaya, Selangor Darul Ehsan, Malaysia
Tel: +60-3-7955-3390, Fax: +60-3-7955-9510

Renesas Electronics Korea Co., Ltd.
11F., Samik Laved. or Bldg., 720-2 Yeoksam-Dong, Kangnam-Ku, Seoul 135-080, Korea
Tel: +82-2-558-3737, Fax: +82-2-558-5141