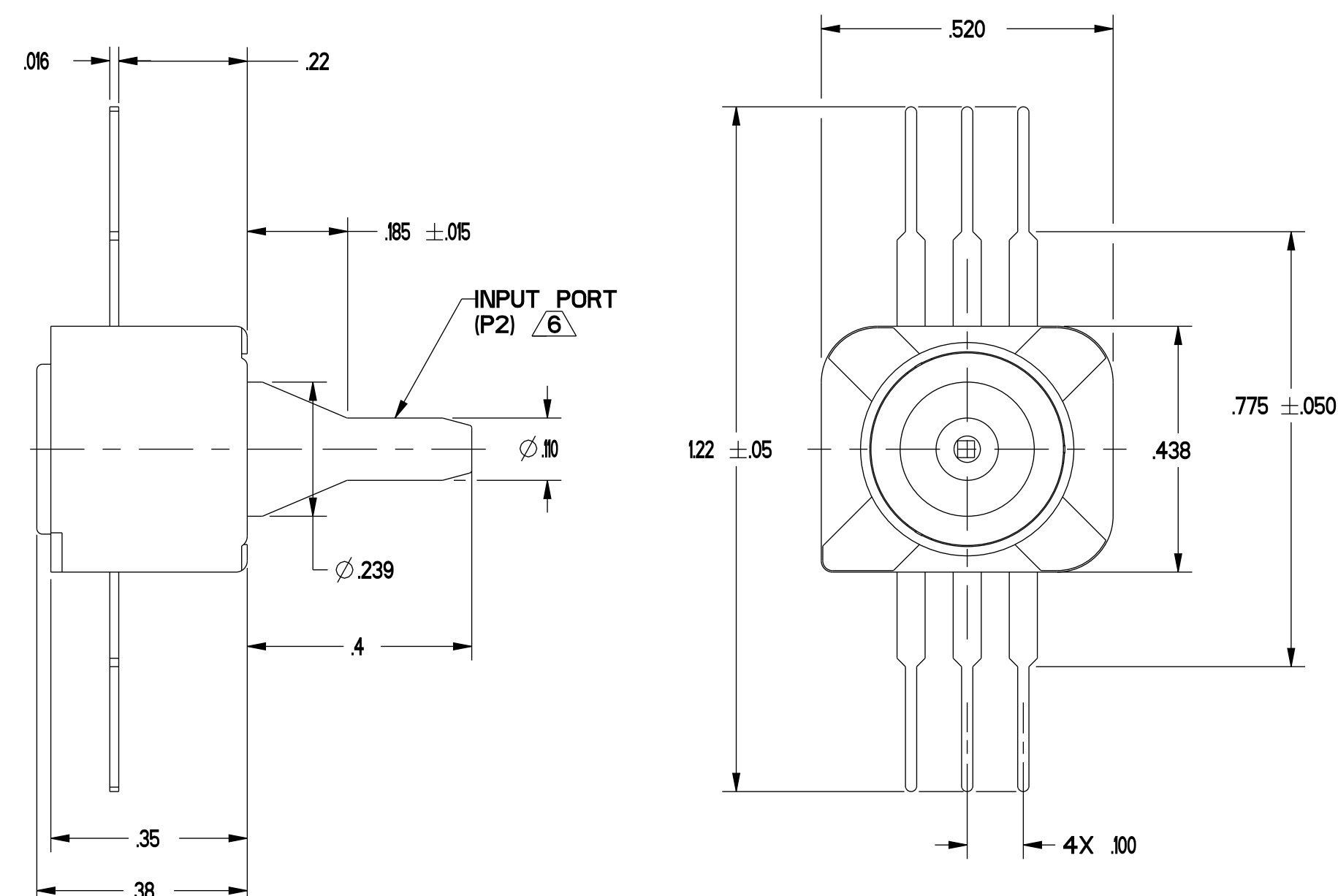
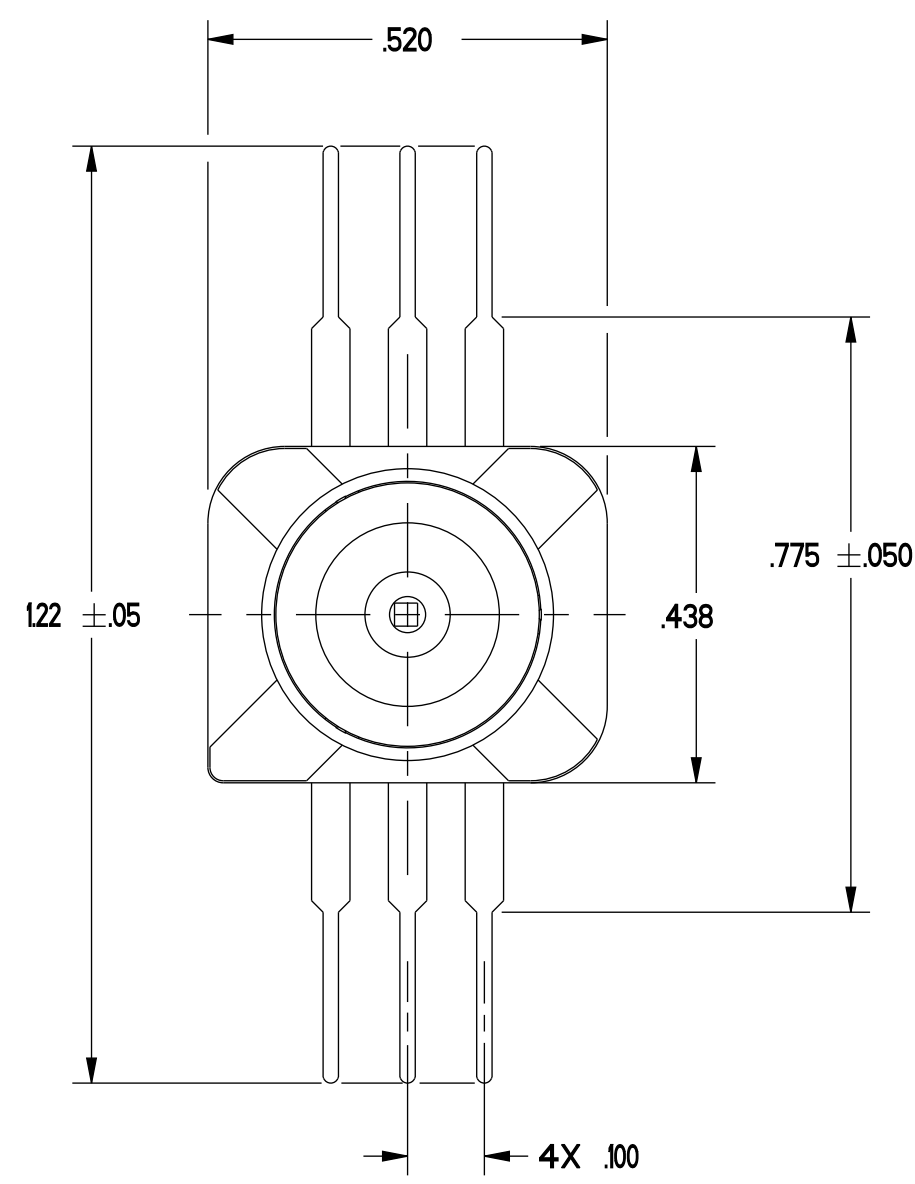


LEAD PIN OUT		
Vout	GND	Vs
3	2	1



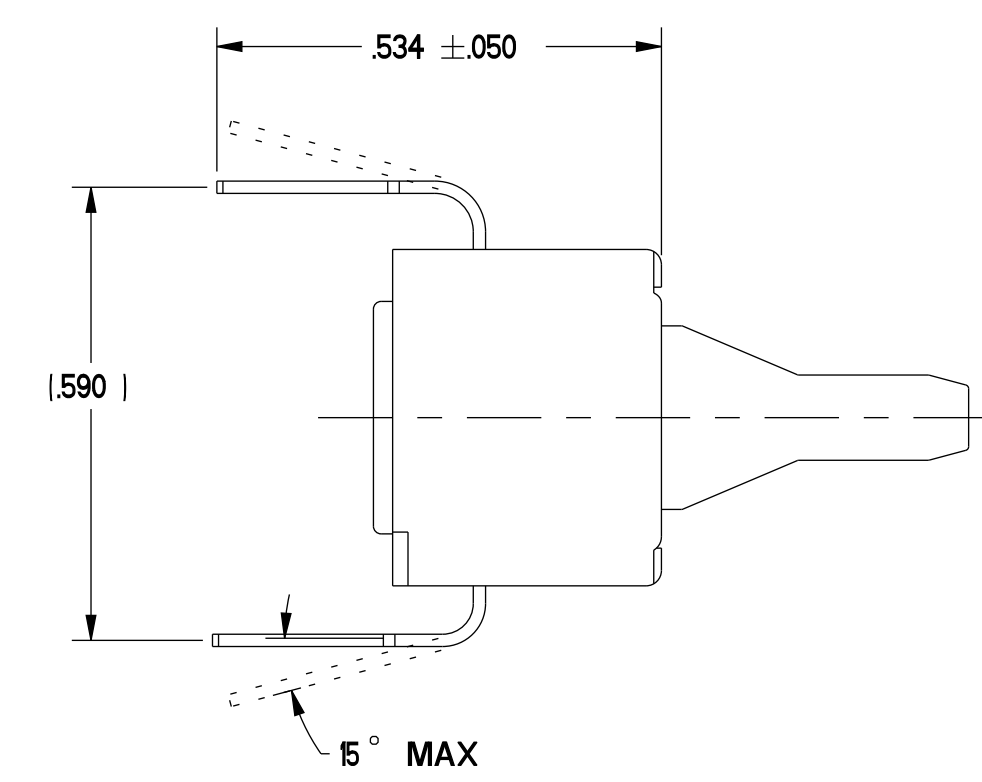
LEAD STYLE 1



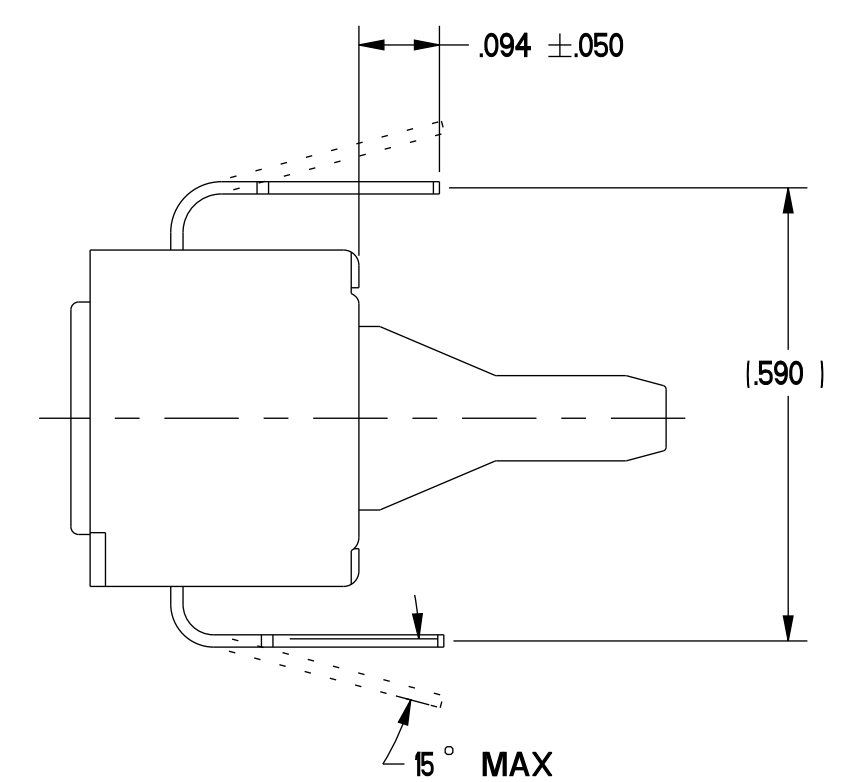
GENERAL CHARACTERISTICS

PRESSURE RANGE	SEE CHART
OVERPRESSURE	SEE CHART
TEMPERATURE RANGES	
STORAGE	-55° TO +125° C
OPERATING	-45° TO +125° C
SUPPLY VOLTAGE	5.0 Vdc (NOM) ±.25 Vdc
SUPPLY CURRENT	10mA MAX
SHORT CIRCUIT LIMIT	4
OUTPUT SOURCE CURRENT	0.5 mA MAX
OUTPUT SINK CURRENT	10 mA MAX
OUTPUT CAPACITANCE	0.01µ F MAX
DRIVE CAPABILITY	
RATIOMETRICITY	±0.25% SPAN TYP
OUTPUT PERFORMANCE AT 25°C AND 5.00±.01 VDC SUPPLY UNLESS NOTED	
NULL (0 PSIG)	SEE CHART
FULL SCALE	4500 Vdc TYP
SPAN	SEE CHART
SENSITIVITY	SEE CHART
HYSTERESIS & REPEATABILITY	0.15% SPAN TYP
TEMPERATURE ERROR 1	0 TO -15 PSI
	0 TO 15 PSI
	0 TO 30 PSI
	0 TO 100 PSI
	0 TO 150 PSI
	0 TO 250 PSI
	0 TO 500 PSI 8
	0 TO 300 mmHg
NULL SHIFT	
25° TO -18° C	±0.75% SPAN MAX
25° TO +63° C	±2.00% SPAN MAX
25° TO +45° C	±1.00% SPAN MAX
25° TO +85° C	±1.00% SPAN MAX
25° TO +125° C 5	±2.25% SPAN MAX
SPAN SHIFT	
25° TO -18° C	±2.00% SPAN MAX
25° TO +63° C	±0.75% SPAN MAX
25° TO +45° C	±2.25% SPAN MAX
25° TO +85° C	±1.25% SPAN MAX
25° TO +125° C 5	±1.00% SPAN MAX
COMBINED NULL AND SPAN SHIFT	
25° TO -18° C	±1.50% SPAN MAX
25° TO +63° C	±2.00% SPAN MAX
25° TO +45° C	±1.75% SPAN MAX
25° TO +85° C	±1.00% SPAN MAX
25° TO +125° C 5	±2.50% SPAN MAX
LINEARITY (B.F.S.L)	0.30% SPAN MAX
ACCURACY (25C) RSS 2	±0.4% SPAN
TOTAL ACCURACY 3	-18 to 63° C
	-45 to 85° C
	-45 TO 125° C 5

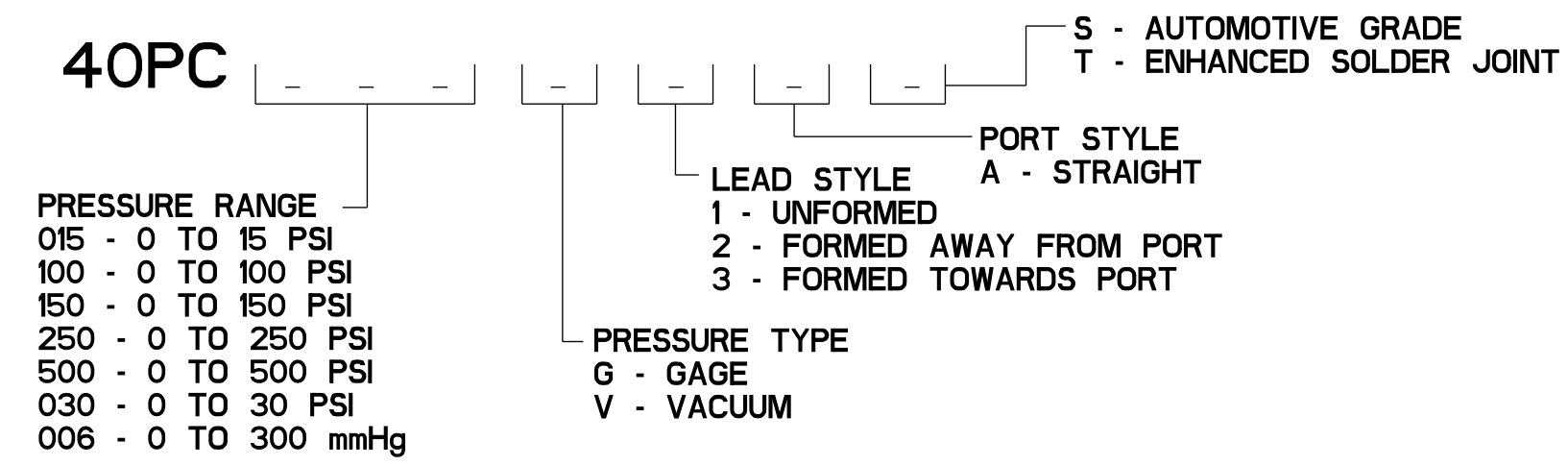
- NOTES
- TEMPERATURE ERROR IS THE MAXIMUM DEVIATION FROM 25° PERFORMANCE OVER THE ENTIRE TEMPERATURE RANGE SHOWN
  - ACCURACY IS DEFINED AS THE 25C, RSS ERRORS FOR LINEARITY, HYSTERESIS AND REPEATABILITY
  - TOTAL ACCURACY IS THE MAXIMUM DEVIATION FROM THE 25C REFERENCE TRANSFER FUNCTION AT ANY PRESSURE OR TEMPERATURE OVER THE SPECIFIED RANGES
  - OUTPUT CAN BE SHORTED TO THE POSITIVE TERMINAL OR THE GROUND TERMINAL
  - PRODUCT 100% TESTED AT THE -45 TO +85° C RANGE ONLY
  - INPUT MEDIA:
    - P1 - DRY GASES ONLY; MEDIA MUST BE COMPATIBLE WITH EPOXY BASED ADHESIVE
    - P2 - MEDIA MUST BE COMPATIBLE WITH GLASS, SILICON, STAINLESS STEEL, INVAR, Sn/Ni PLATING OR Sn/Ag SOLDER
  - PINS 4, 5 OR 6 ARE INTERNAL DEVICE CONNECTIONS, DO NOT CONNECT TO EXTERNAL CIRCUITRY OR GROUND, EXCEPT FOR AUTOMOTIVE GRADE
  - PRODUCT TESTED AT 250 PSI
  - 500 PSI HAS A BURST PRESSURE UP TO 1250 PSI



LEAD STYLE 2



LEAD STYLE 3



CATALOG LISTING	LEAD STYLE	PRESSURE RANGE	OVER-PRESSURE	SENSITIVITY	NULL (0 PSIG) VDC	SPAN VDC
40PC015G1A	1	0 TO 15 PSI	45 PSI	266.6 mV/PSI TYP	500±.10	4.000±.110
40PC015G2A	2	0 TO 15 PSI	45 PSI	266.6 mV/PSI TYP	500±.10	4.000±.110
40PC015G3A	3	0 TO 15 PSI	45 PSI	266.6 mV/PSI TYP	500±.10	4.000±.110
40PC100G1A	1	0 TO 100 PSI	200 PSI	40.0 mV/PSI TYP	500±.040	4.000±.090
40PC100G2A	2	0 TO 100 PSI	200 PSI	40.0 mV/PSI TYP	500±.040	4.000±.090
40PC100G3A	3	0 TO 100 PSI	200 PSI	40.0 mV/PSI TYP	500±.040	4.000±.090
40PC150G1A	1	0 TO 150 PSI	300 PSI	26.6 mV/PSI TYP	500±.040	4.000±.070
40PC150G2A	2	0 TO 150 PSI	300 PSI	26.6 mV/PSI TYP	500±.040	4.000±.070
40PC150G3A	3	0 TO 150 PSI	300 PSI	26.6 mV/PSI TYP	500±.040	4.000±.070
40PC250G1A	1	0 TO 250 PSI	500 PSI	16.0 mV/PSI TYP	500±.040	4.000±.070
40PC250G2A	2	0 TO 250 PSI	500 PSI	16.0 mV/PSI TYP	500±.040	4.000±.070
40PC250G3A	3	0 TO 250 PSI	500 PSI	16.0 mV/PSI TYP	500±.040	4.000±.070
40PC500G1A	1	0 TO 500 PSI	1000 PSI	8.0 mV/PSI TYP	500±.040	4.000±.090
40PC500G2A	2	0 TO 500 PSI	1000 PSI	8.0 mV/PSI TYP	500±.040	4.000±.090
40PC500G3A	3	0 TO 500 PSI	1000 PSI	8.0 mV/PSI TYP	500±.040	4.000±.090
40PC015V1A	1	0 TO -15 PSI	30 PSI	266.6 mV/PSI TYP	500±.040	4.0±.1
40PC015V2A	2	0 TO -15 PSI	30 PSI	266.6 mV/PSI TYP	500±.040	4.0±.1
40PC015V3A	3	0 TO -15 PSI	30 PSI	266.6 mV/PSI TYP	500±.040	4.0±.1
40PC030G1A	1	0 TO 30 PSI	60 PSI	133.3 mV/PSI TYP	500±.040	4.000±.080
40PC030G2A	2	0 TO 30 PSI	60 PSI	133.3 mV/PSI TYP	500±.040	4.000±.080
40PC030G3A	3	0 TO 30 PSI	60 PSI	133.3 mV/PSI TYP	500±.040	4.000±.080
40PC060G1A	1	0 TO 300 mmHg	650 mmHg	13.33 mV/mmHg	500±.050	4.000±.050
40PC060G2A	2	0 TO 300 mmHg	650 mmHg	13.33 mV/mmHg	500±.050	4.000±.050
40PC060G3A	3	0 TO 300 mmHg	650 mmHg	13.33 mV/mmHg	500±.050	4.000±.050
40PC150G1AS	1	0 TO 150 PSI	300 PSI	26.6 mV/PSI TYP	500±.040	4.000±.070
40PC150GIAT	1	0 TO 150 PSI	300 PSI	26.6 mV/PSI TYP	500±.040	4.000±.070

**CAUTION**  
ELECTROSTATIC SENSITIVE DEVICES  
DO NOT OPEN OR HANDLE EXCEPT AT A STATIC FREE WORKSTATION

**ESD SENSITIVITY: CLASS 1**

THIRD ANGLE PROJECTION

SCALE 4:1

DO NOT SCALE PRINT

UNLESS OTHERWISE SPECIFIED TOLERANCES ARE

ONE PLACE (.0) +.030  
TWO PLACE (.00) +.015  
THREE PLACE (.000) +.005  
ANGLES +

WEIGHT

THIS DRAWING COVERS A PROPRIETARY ITEM AND IS THE PROPERTY OF MICRO SWITCH, A DIVISION OF HONEYWELL. THIS DRAWING IS NOT TO BE COPIED OR USED WITHOUT THE APPROVAL OF MICRO SWITCH.

FED. MFG. CODE 91929

**MICRO SWITCH**  
a Honeywell Division

**PRESSURE SENSOR**

**40PC SERIES CHART 1**

PTC/CAD  
 SAV 17 DEC 98  
 JAF  
 26 JUN 07  
 CMH  
 25 JUN 07  
 DSK  
 21 JAN 11  
 PR-22691  
 1 OF 1  
 X102329-PC  
 40PC SERIES CHART 1  
 ISSUE 27

# Mouser Electronics

Authorized Distributor

Click to View Pricing, Inventory, Delivery & Lifecycle Information:

[Honeywell:](#)

[24PCFFA2G](#) [40PC015G1A](#) [40PC015V2A](#) [40PC030G2A](#) [40PC100G1A](#) [40PC100G2A](#) [40PC150G2A](#)  
[40PC250G2A](#) [40PC250G3A](#) [40PC500G2A](#)