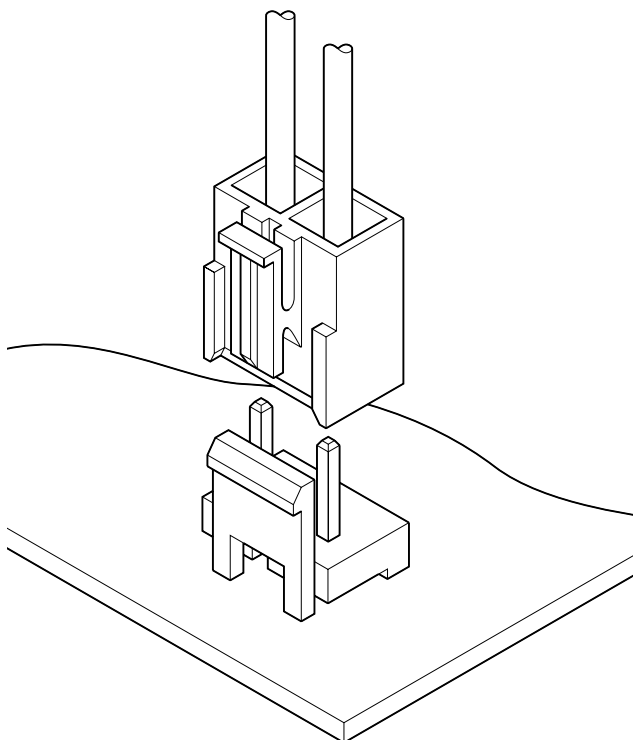


NV CONNECTOR

Disconnectable Crimp style connectors



This 5.0mm (.197") pitch crimp style connector has been developed based on the box-shaped leaf contacts used successfully in the VH connector. The connector is suitable for a wide range of applications, from low-voltage, low-current signal circuits to power supply circuits requiring large currents.



Features

• Side stackable

Connectors can be stacked side by side without causing pitch loss, and thus the number of circuits can easily be changed even after the design is finalized. This increases the engineer's freedom in designing printed circuit boards.

• Box contact

This connector has the box-shaped contact. The reliable NV connector can be used in a wide variety of applications, from low-voltage, low-current signal circuits to power supply circuits having a relatively large capacity.

• Compact connector with a large capacity

Even though this connector has a large current carrying capacity (10A), it is compact, with a mounting height of 16.5mm (.650").

• Secure contact and mounting

The housing has an arm lock mechanism which prevents the connector from working loose due to vibration. The mechanism also prevents misinsertion (misalignment or reverse insertion).

Specifications

- Current rating: 10A AC, DC (AWG#16)
- Voltage rating: 250V AC, DC
- Temperature range: -25°C to +85°C
(including temperature rise in applying electrical current)
- Contact resistance: Initial value/10m Ω max.
After environmental testing/20m Ω max.
- Insulation resistance: 1,000M Ω min.
- Withstanding voltage: 1,500V AC/minute
- Applicable wire: AWG #22 to #16
- Applicable PC board thickness: 1.6mm(.063")
- * Contact JST if Lead-Free product is required.
- * Refer to "General Instruction and Notice when using Terminals and Connectors" at the end of this catalog.
- * Contact JST for details.

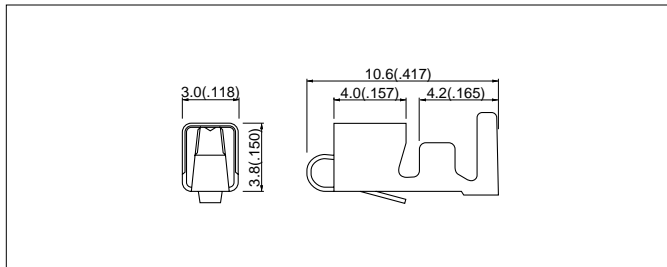
Standards

Ⓜ Recognized E60389

Ⓢ Certified LR20812

Ⓢ R9251676

Contact



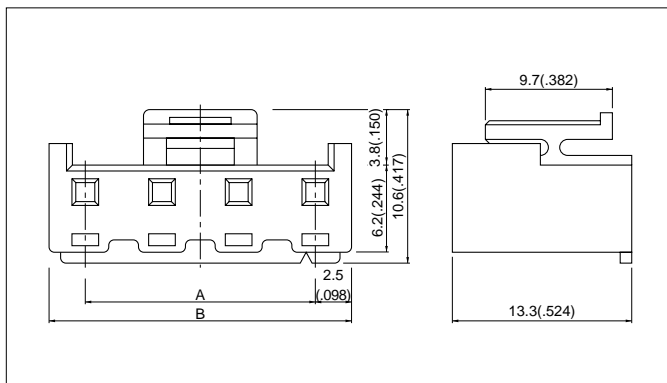
Model No.	Applicable wire			Q'ty / reel
	mm ²	AWG #	Insulation O.D. mm(in.)	
SVH-21T-P1.1	0.33 to 0.83	22 to 18	1.7 to 3.0(.067 to .118)	4,500
SVH-41T-P1.1	0.5 to 1.25	20 to 16	1.7 to 3.0(.067 to .118)	3,500

Material and Finish

Phosphor bronze, tin-plated

Note: Contact JST for brass products.

Housing



Circuits	Model No.	Dimensions mm(in.)		Q'ty / bag
		A	B	
2	NVR-02	5.0(.197)	10.0(.394)	1,000
3	NVR-03	10.0(.394)	15.0(.591)	
4	NVR-04	15.0(.591)	20.0(.787)	

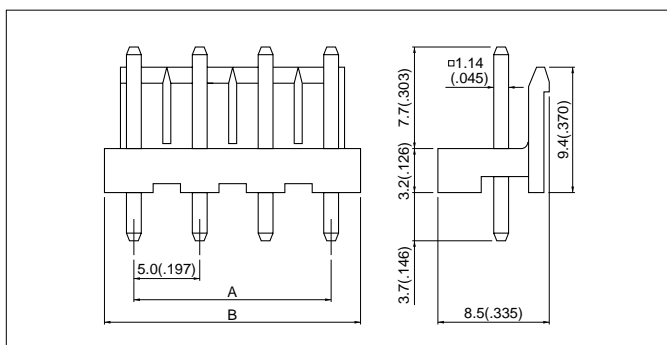
Material

Nylon 6, UL94V-0, natural (white)

<For reference> As the color identification, the following alphabet shall be put in the underlined part. For availability, delivery and minimum order quantity, contact JST.

ex. **NVR-02-oo**
(blank)...natural (white)
E...blue

Locking header



Circuits	Model No.	Dimensions mm(in.)		Q'ty / box
		A	B	
2	B02P-NV	5.0(.197)	10.0(.394)	1,000
3	B03P-NV	10.0(.394)	15.0(.591)	700
4	B04P-NV	15.0(.591)	20.0(.787)	500

Material and Finish

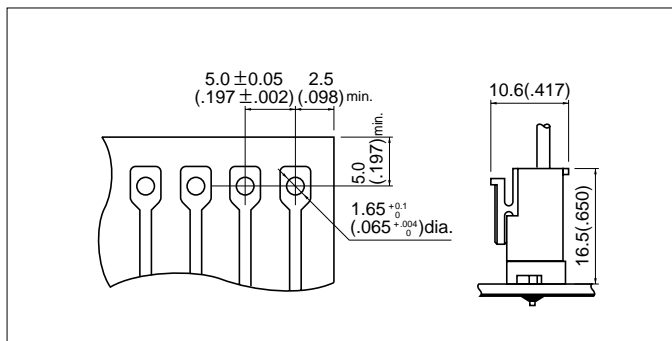
Post: Brass, copper-undercoated, tin/lead-plated
Wafer: B02P-NV...Nylon 66, UL94V-0, natural (white)
B03P-NV & B04P-NV...Glass-filled PBT, UL94V-0, natural (white)

<For reference> As the color identification, the following alphabet shall be put in the underlined part. For availability, delivery and minimum order quantity, contact JST.

ex. **B02P-NV-oo**
(blank)...natural (white)
BL...blue

NV CONNECTOR

PC board layout (viewed from soldering side) and Assembly layout



Note:

1. Tolerances are non-cumulative; ± 0.05 mm ($\pm .002$ ") for all centers.
2. Hole dimensions differ according to the kind of PC board and piercing method. The dimensions above should serve as a guideline. Contact JST for details.

Applicator for the semi-automatic press AP-K2N

Contact	Crimp applicator MKS-L		Compact crimp applicator MKS-LS		Strip-crimp applicator MKS-SC
	with safety cover	without safety cover	with safety cover	without safety cover	with safety cover
SVH-21T-P1.1	APLMK SVH21-11	APLNC SVH21-11	-	-	APLSC SVH21-11
SVT-41T-P1.1	APLMK SVT41-11	APLNC SVT41-11	-	-	-