

**PLEASE CHECK WWW.MOLEX.COM FOR LATEST PART INFORMATION**

**Part Number:** [5014610601](#)  
**Status:** **Active**  
**Description:** 0.50mm (.020") Pitch FPC Connector, BackFlip™, Right Angle, SMT, Bottom Contact Style, 0.80mm (.031") Mated Height, 6 Circuits, Lead-free

**Documents:**

[3D Model](#) [Product Specification PS-501461-001 \(PDF\)](#)  
[Drawing \(PDF\)](#) [RoHS Certificate of Compliance \(PDF\)](#)

**General**

Product Family FFC/FPC Connectors  
 Series [501461](#)  
 Product Name BackFlip™

**Physical**

Circuits (Loaded) 6  
 Contact Position Bottom  
 Durability (mating cycles max) 20  
 Entry Angle 90° Angle  
 Mated Height (in) 0.031 In  
 Mated Height (mm) 0.80 mm  
 Material - Metal Copper Alloy  
 Material - Plating Mating Gold  
 Material - Plating Termination Gold  
 Number of Rows 1  
 Orientation Right Angle  
 PCB Locator No  
 PCB Retention Yes  
 Packaging Type Embossed Tape on Reel  
 Pitch - Mating Interface (in) 0.020 In  
 Pitch - Mating Interface (mm) 0.50 mm  
 Polarized to PCB Yes  
 Stackable No  
 Surface Mount Compatible (SMC) Yes  
 Temperature Range - Operating -40°C to +85°C  
 Termination Interface: Style Surface Mount  
 Wire/Cable Type FPC only

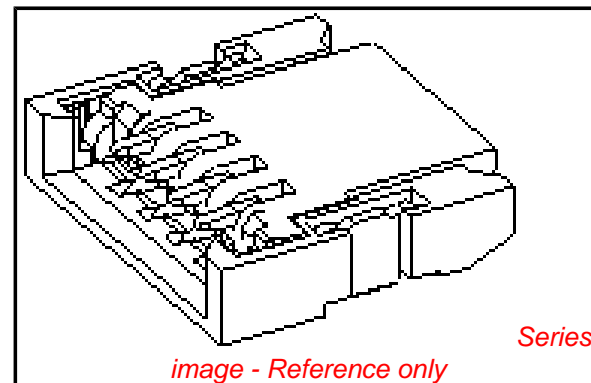
**Electrical**

Current - Maximum per Contact 0.3A  
 Voltage - Maximum 50V AC (RMS)/DC

**Material Info**

**Reference - Drawing Numbers**

Product Specification PS-501461-001, RPS-501461-001, RPS-501461-002, RPS-501461-005, RPS-501461-007, RPS-501461-008  
 Sales Drawing SD-501461-001, SD-501461-002, SD-501461-006



**EU RoHS**

**ELV and RoHS Compliant**  
**REACH SVHC**  
 Not Reviewed  
**Halogen-Free Status**  
 Not Reviewed

**China RoHS**



**Need more information on product environmental compliance?**

Email [productcompliance@molex.com](mailto:productcompliance@molex.com)  
 For a multiple part number RoHS Certificate of Compliance, [click here](#)

Please visit the [Contact Us](#) section for any non-product compliance questions.

**Search Parts in this Series**

[501461Series](#)

10 9 8 7 6 5 4 3 2 1

F

E

D

C

B

A

F

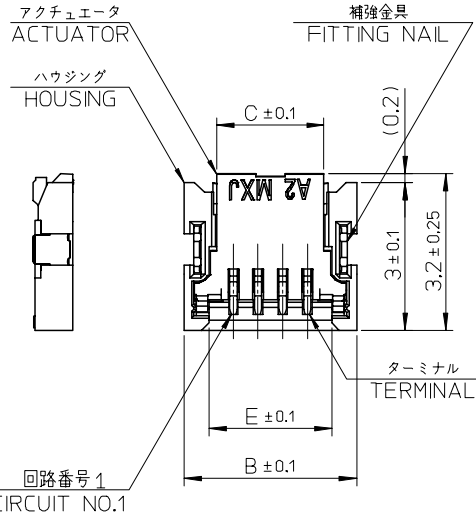
E

D

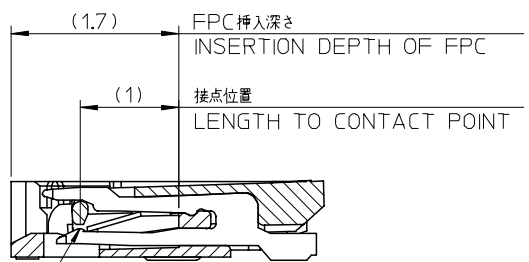
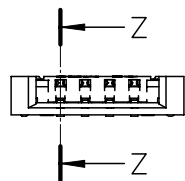
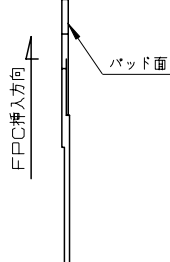
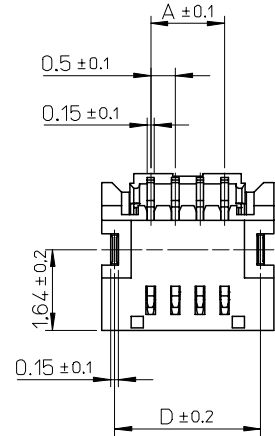
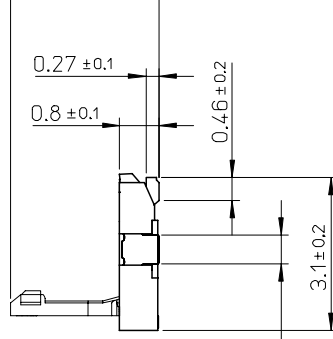
C

B

A



(3.01) (アクチュエータが開口した状態)  
(WHEN ACTUATOR IS OPENED)

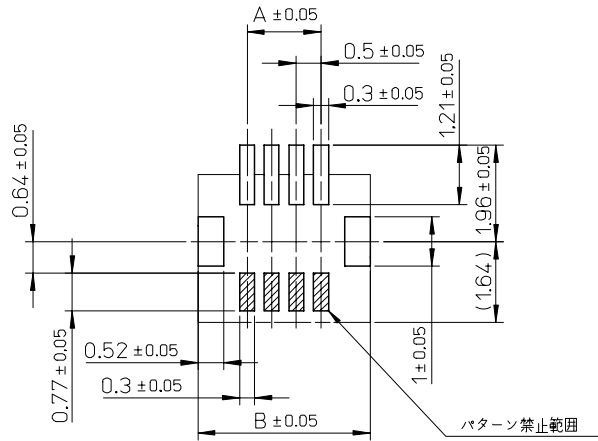


注記  
NOTES:

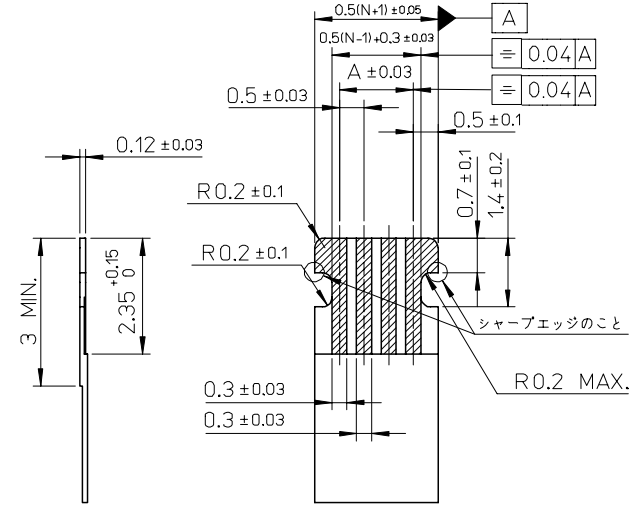
- 材質 MATERIAL  
ハウジング:耐熱性樹脂、ガラス充填、UL94V-0  
HOUSING:HEAT RESISTANCE POLYMER, GLASS FILLED, UL94V-0  
アクチュエータ:耐熱性樹脂、ガラス充填、UL94V-0  
ACTUATOR:HEAT RESISTANCE POLYMER, GLASS FILLED, UL94V-0  
ターミナル:銅合金 (t=0.15)  
TERMINAL: COPPER ALLOY (t=0.15)  
補強金具:銅合金 (t=0.15)  
NAIL: COPPER ALLOY (t=0.15)
- めっき仕様 PLATING  
ターミナル: 部分金メッキ  
接点部 0.1マイクロメートル以上  
半田付け部 0.05マイクロメートル以上  
TERMINAL: SEPARATED GOLD PLATING  
CONTACT AREA 0.1 MICROMETER MINIMUM.  
SOLDER TAIL AREA 0.05 MICROMETER MINIMUM.  
下地 ニッケルメッキ 1.0マイクロメートル以上  
UNDER PLATING; NICKEL PLATING 1.0 MICROMETER MINIMUM.  
補強金具: 錫メッキ 1.0マイクロメートル以上  
NAIL: TIN PLATING 1.0 MICROMETER MINIMUM.  
下地 ニッケルメッキ 1.0マイクロメートル以上  
UNDER PLATING; NICKEL PLATING 1.0 MICROMETER MINIMUM.
- 平坦度は、0.1mm以下とする。  
TAILS AND NAILS COPLANARITY TO BE 0.1mm MAXIMUM.
- ELV AND RoHS COMPLIANT.

4.5	4.97	4.18	5.5	3.5	501461-0802	501461-0808	8
E	D	C	B	A	エンボス梱包 EMBOSSED PACKAGING	製品番号 MATERIAL NO.	極数(N) CIRCUITS(N)

RELEASED EC NO: J2008-0606 DRWN: AOYAGI 2007/09/06 CHKD: HARUYAMA 2007/09/10 APPR: NUKITA 2007/09/10	GENERAL TOLERANCES (UNLESS SPECIFIED)		DIMENSION STYLE MM ONLY		SCALE 10:1	DESIGN UNITS METRIC	THIRD ANGLE PROJECTION
	10 UNDER	±0.2	DRAWN BY Y. AOYAGI		TITLE 0.5 FPC CONN BACK FLIP HGT=0.8 HSG ASSY		
	10 OVER 30 UNDER	±0.25	CHECKED BY T. HARUYAMA		APPROVED BY N. UKITA		
	30 OVER	±0.3	APPROVED BY N. UKITA		MATERIAL NO. SEE TABLE		
0	ANGULAR	±1	DRAFT WHERE APPLICABLE MUST REMAIN WITHIN DIMENSIONS		DOCUMENT NO. SD-501461-003		SHEET NO. 1 OF 2



推奨基板寸法  
RECOMMENDED P.C.BOARD PATTERN LAYOUT



推奨FPC寸法  
RECOMMENDED FPC PATTERN LAYOUT

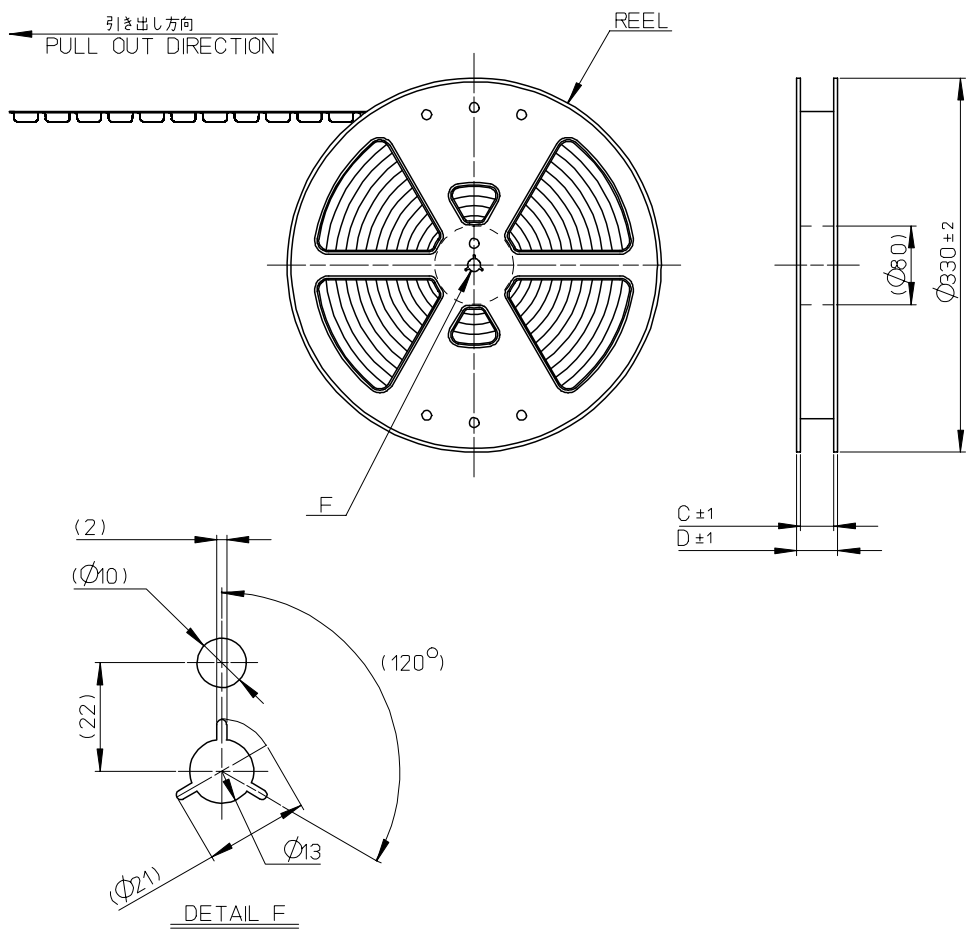
FPCについて:  
 抜き方向は、導体側から補強板側を推奨します。  
 補強フィルム材質は、ポリイミドを推奨します。  
 接着剤は、熱硬化接着剤を推奨します。  
 尚、接着剤の接点部への付着は、導通不良の原因となりますので染み出しが無いよう、お願いします。

ABOUT FPC:  
 RECOMMENDED PUNCHER DIRECTION:  
 FROM CONDUCTOR SIDE TO STIFFNER FILME SIDE.  
 RECOMMENDED MATERIAL:  
 STIFFNER FILME: POLYIMIDE  
 BONDING AGENT: THRMOSSETTING AGENT  
 PLEASE PUT APPROPRIATE AMOUNT OF ASHESIVE MAY CAUSE  
 THE DEFECT IN ELECTRICAL CONTINUITY.

RELEASED EC NO: J2008-0606 DRWN: AOYAGI CHKD: HARUYAMA APPR: NUKITA	2007/09/06 2007/09/10 2007/09/10	GENERAL TOLERANCES (UNLESS SPECIFIED)		DIMENSION STYLE MM ONLY	SCALE 10:1	DESIGN UNITS METRIC	THIRD ANGLE PROJECTION		
		10 UNDER	± 0.2	DRAWN BY Y. AOYAGI	DATE 2007/09/05	TITLE 0.5 FPC CONN BACK FLIP HGT=0.8 HSG ASSY			
		10 OVER 30 UNDER	± 0.25	CHECKED BY T. HARUYAMA	DATE 2007/09/05				
		30 OVER	± 0.3	APPROVED BY N. UKITA	DATE 2007/09/05	MOLEX INCORPORATED			
		ANGULAR	± 1 °	MATERIAL NO.	DOCUMENT NO.				
0	REV	DRAFT WHERE APPLICABLE MUST REMAIN WITHIN DIMENSIONS		SIZE A3	SEE SHEET 1 SD-501461-003 THIS DRAWING CONTAINS INFORMATION THAT IS PROPRIETARY TO MOLEX INCORPORATED AND SHOULD NOT BE USED WITHOUT WRITTEN PERMISSION				

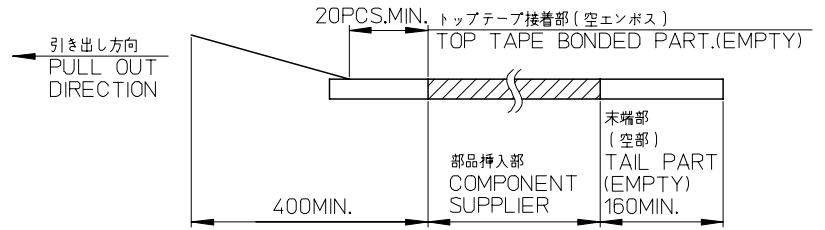
10 9 8 7 6 5 4 3 2 1

F  
E  
D  
C  
B  
A



NOTES

- 製品詳細寸法については製品単体図面を参照下さい。  
RE DETAILED DIMENSION, SEE PRODUCT DRAWING.
- 梱包数量: 3000個/リール  
NUMBER OF CONNECTORS 3000PCS/REEL
- リードテープ長さ  
LEAD TAPE LENGTH



- 材料  
MATERIAL  
キャリアテープ(CARRIRE TAPE): ポリスチレン (POLYSTYRENE)  
トップテープ(TOP TAPE): PET, PE, PEF  
リール(REEL): ポリスチレン (PS) <リサイクル材を含む>  
POLYSTYRENE(PS) <RECYCLE MATERIAL CONTAIED>
- ELV及びRoHS適合品。  
ELV AND RoHS COMPLIANT.

501461-\*\*-02 MODEL NO.

RELEASED EC NO: J2008-0606 DRWN: AOYAGI 2007/09/06 CHKD: HARUYAMA 2007/09/10 APPR: NUKITA 2007/09/10	GENERAL TOLERANCES (UNLESS SPECIFIED)		DIMENSION STYLE MM ONLY		SCALE ---	DESIGN UNITS METRIC	THIRD ANGLE PROJECTION
	10 UNDER	±0.2	DRAWN BY Y. AOYAGI	DATE 2007/09/05	TITLE 0.5 FPC CONN BACK FLIP H=0.8 EMBSTP PKG		
	10 OVER 30 UNDER	±0.25	CHECKED BY T. HARUYAMA	DATE 2007/09/05	MOLEX INCORPORATED		
	30 OVER	±0.3	APPROVED BY N. UKITA	DATE 2007/09/05	DOCUMENT NO. SD-501461-004		
0	ANGULAR ±1	DRAFT WHERE APPLICABLE MUST REMAIN WITHIN DIMENSIONS		MATERIAL NO. SEE SHEET 2	SHEET NO. 1 OF 2		

10 9 8 7 6 5 4 3 2 1

F

E

D

C

B

A

F

E

D

C

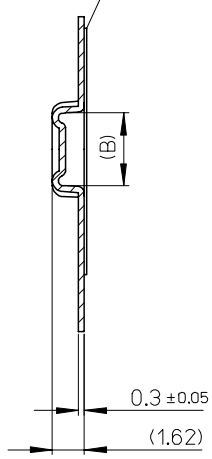
B

A

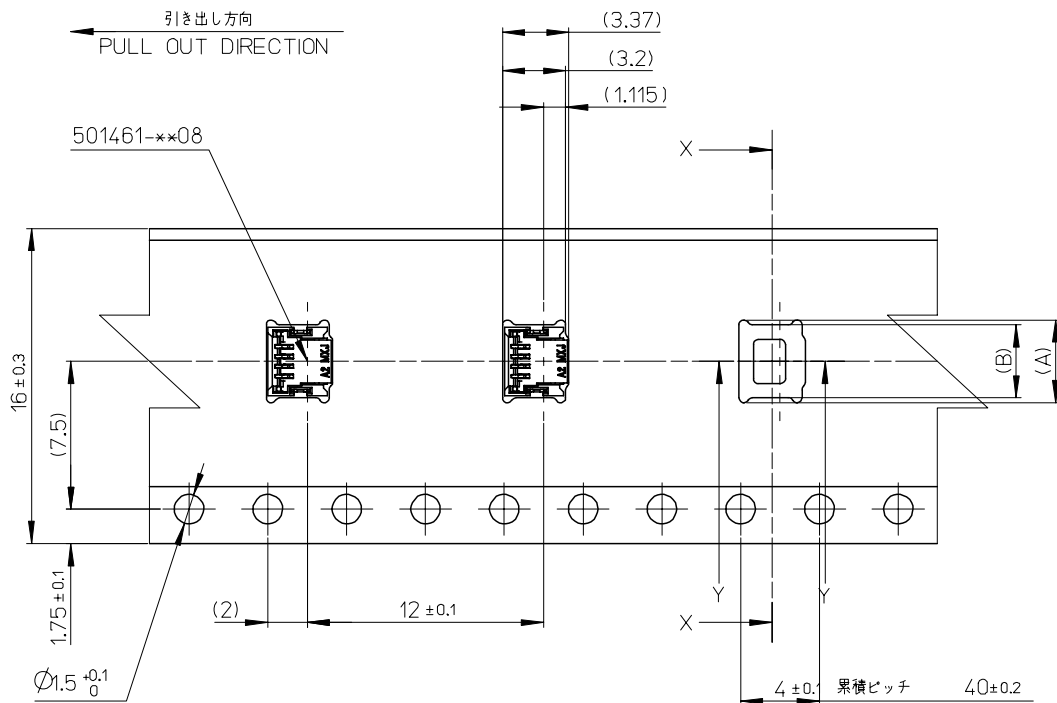
引き出し方向  
PULL OUT DIRECTION

トップテープ  
TOP TAPE

501461-\*\*08

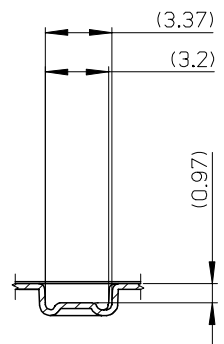


SECT. X-X



16mm幅キャリアテープ  
16mm WIDTH CARRIER TAPE

累積ピッチ 40 ± 0.2  
ACCUMULATIVE PITCH 40 ± 0.2



SECT. Y-Y

16	21.4	17.4	5.7	6.2	501461-0802	8
キャリアテープ幅 CARRIER TAPE WIDTH	D	C	(B)	(A)	MATERIAL NO.	極数 CIRCUITS

RELEASED EC NO: J2008-0606 DRWN: AOYAGI 2007/09/06 CHKD: HARUYAMA 2007/09/10 APPR: NUKITA 2007/09/10	GENERAL TOLERANCES (UNLESS SPECIFIED)		DIMENSION STYLE MM ONLY		SCALE ---	DESIGN UNITS METRIC	THIRD ANGLE PROJECTION
	10 UNDER	± 0.2	DRAWN BY Y. AOYAGI	DATE 2007/09/05	TITLE 0.5 FPC CONN BACK FLIP H=0.8 EMBSTP PKG		
	10 OVER 30 UNDER	± 0.25	CHECKED BY T. HARUYAMA	DATE 2007/09/05	MOLEX INCORPORATED		
	30 OVER	± 0.3	APPROVED BY N. UKITA	DATE 2007/09/05	DOCUMENT NO. SD-501461-004		
0	DESCRIPTION	ANGULAR ± 1 °	MATERIAL NO. SEE TABLE		SHEET NO. 2 OF 2		
DRAFT WHERE APPLICABLE MUST REMAIN WITHIN DIMENSIONS		THIS DRAWING CONTAINS INFORMATION THAT IS PROPRIETARY TO MOLEX INCORPORATED AND SHOULD NOT BE USED WITHOUT WRITTEN PERMISSION					