

# International IOR Rectifier

## 82CNQ030A

SCHOTTKY RECTIFIER  
New GenIII D-61 Package

80 Amp

### Major Ratings and Characteristics

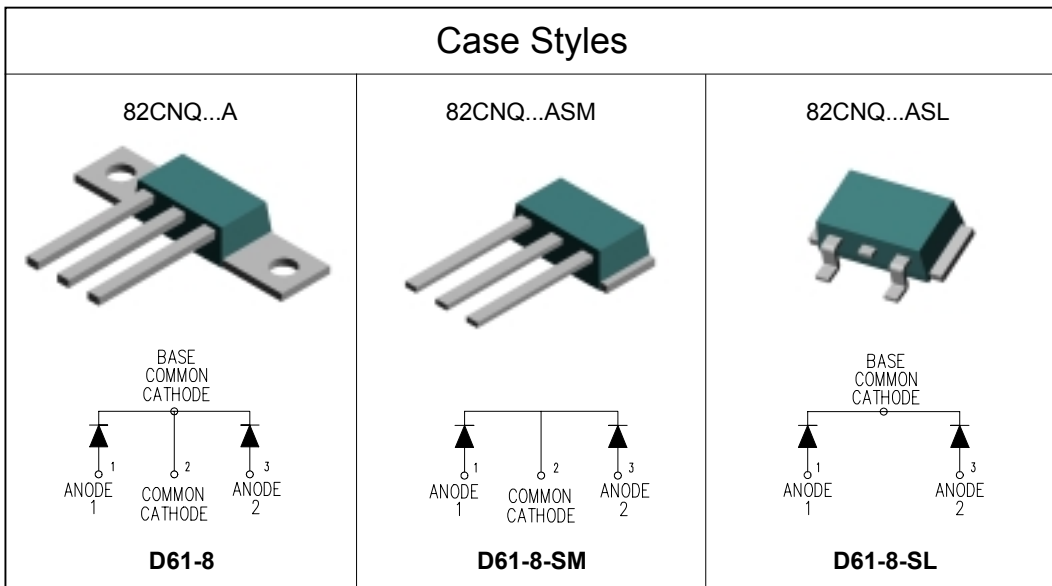
Characteristics	82CNQ030A	Units
$I_{F(AV)}$ Rectangular waveform	80	A
$V_{RRM}$	30	V
$I_{FSM}$ @tp = 5 $\mu$ s sine	5100	A
$V_F$ @40Apk, $T_J = 125^\circ\text{C}$ (per leg)	0.37	V
$T_J$ range	-55 to 150	$^\circ\text{C}$

### Description/Features

The 82CNQ030A center tap Schottky rectifier module has been optimized for very low forward voltage drop, with moderate leakage. The proprietary barrier technology allows for reliable operation up to 150  $^\circ\text{C}$  junction temperature. Typical applications are in switching power supplies, converters, free-wheeling diodes, and reverse battery protection.

- 150  $^\circ\text{C}$   $T_J$  operation
- Dual center tap module
- Very low forward voltage drop
- High purity, high temperature epoxy encapsulation for enhanced mechanical strength and moisture resistance
- High frequency operation
- Guard ring for enhanced ruggedness and long term reliability
- *New fully transfer-mold low profile, small footprint, high current package*

### Case Styles



## Voltage Ratings

Part number	82CNQ030A
$V_R$ Max. DC Reverse Voltage (V)	30
$V_{RWM}$ Max. Working Peak Reverse Voltage (V)	

## Absolute Maximum Ratings

Parameters	82CNQ	Units	Conditions
$I_{F(AV)}$ Max. Average Forward Current * See Fig. 5	80	A	50% duty cycle @ $T_C = 119^\circ\text{C}$ , rectangular waveform
$I_{FSM}$ Max. Peak One Cycle Non-Repetitive Surge Current (Per Leg) * See Fig. 7	5100	A	Following any rated load condition and with rated $V_{RWM}$ applied
	880		
$E_{AS}$ Non-Repetitive Avalanche Energy (Per Leg)	36	mJ	$T_J = 25^\circ\text{C}$ , $I_{AS} = 8$ Amps, $L = 1.12$ mH
$I_{AR}$ Repetitive Avalanche Current (Per Leg)	8	A	Current decaying linearly to zero in 1 $\mu\text{sec}$ Frequency limited by $T_J$ max. $V_A = 1.5 \times V_R$ typical

## Electrical Specifications

Parameters	82CNQ	Units	Conditions
$V_{FM}$ Max. Forward Voltage Drop (Per Leg) * See Fig. 1 (1)	0.47	V	@ 40A $T_J = 25^\circ\text{C}$
	0.55	V	@ 80A
	0.37	V	@ 40A $T_J = 125^\circ\text{C}$
	0.47	V	@ 80A
$I_{RM}$ Max. Reverse Leakage Current (Per Leg) * See Fig. 2 (1)	5	mA	$T_J = 25^\circ\text{C}$ $V_R = \text{rated } V_R$
	280	mA	$T_J = 125^\circ\text{C}$
$C_T$ Max. Junction Capacitance (Per Leg)	3700	pF	$V_R = 5V_{DC}$ , (test signal range 100Khz to 1Mhz) $25^\circ\text{C}$
$L_S$ Typical Series Inductance (Per Leg)	5.5	nH	Measured lead to lead 5mm from package body
$dv/dt$ Max. Voltage Rate of Change (Rated $V_R$ )	10,000	V/ $\mu\text{s}$	

(1) Pulse Width < 300 $\mu\text{s}$ , Duty Cycle < 2%

## Thermal-Mechanical Specifications

Parameters	82CNQ	Units	Conditions
$T_J$ Max. Junction Temperature Range	-55 to 150	$^\circ\text{C}$	
$T_{stg}$ Max. Storage Temperature Range	-55 to 150	$^\circ\text{C}$	
$R_{thJC}$ Max. Thermal Resistance Junction to Case (Per Leg)	0.85	$^\circ\text{C/W}$	DC operation * See Fig. 4
$R_{thJC}$ Max. Thermal Resistance Junction to Case (Per Package)	0.42	$^\circ\text{C/W}$	DC operation
$R_{thCS}$ Typical Thermal Resistance, Case to Heatsink (D61-8 Only)	0.30	$^\circ\text{C/W}$	Mounting surface, smooth and greased Device flatness < 5 mils
wt Approximate Weight	7.8(0.28)	g(oz.)	
T Mounting Torque (D61-8 Only)	Min.	40(35)	Kg-cm (lbf-in)
	Max.	58(50)	

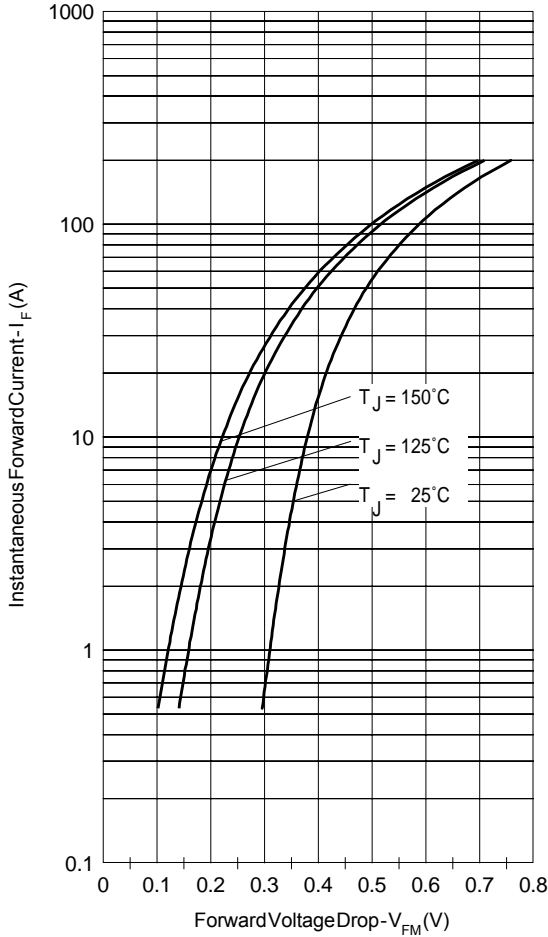


Fig. 1 - Max. Forward Voltage Drop Characteristics (Per Leg)

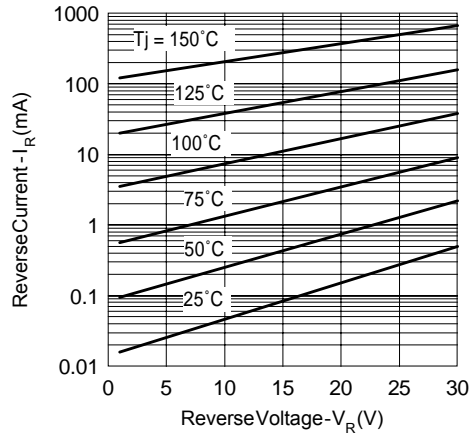


Fig. 2 - Typical Values Of Reverse Current Vs. Reverse Voltage (Per Leg)

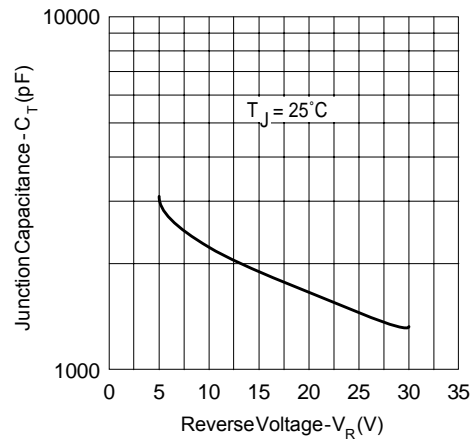


Fig. 3 - Typical Junction Capacitance Vs. Reverse Voltage (Per Leg)

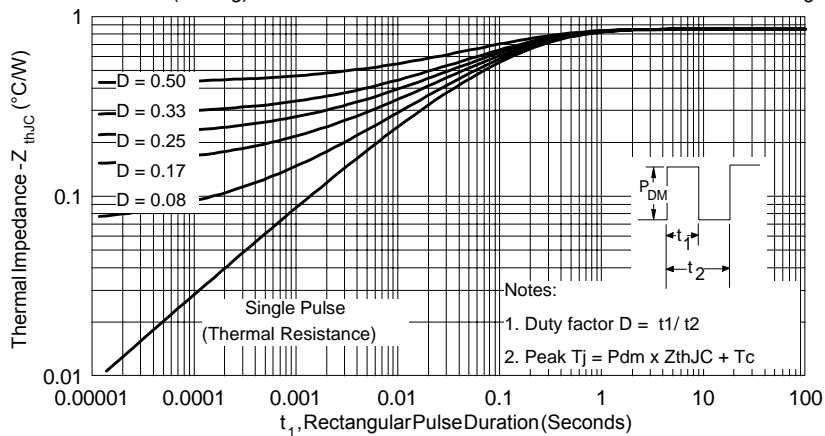


Fig. 4 - Max. Thermal Impedance  $Z_{thJC}$  Characteristics (Per Leg)

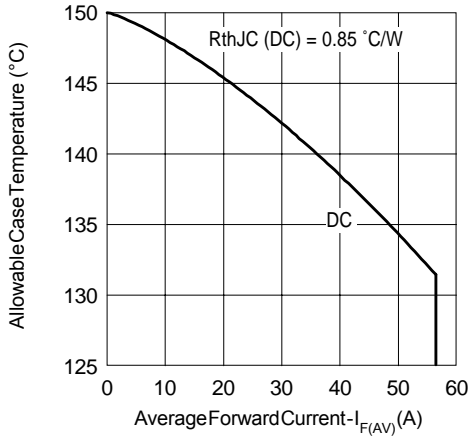


Fig. 5- Max. Allowable Case Temperature Vs. Average Forward Current (Per Leg)

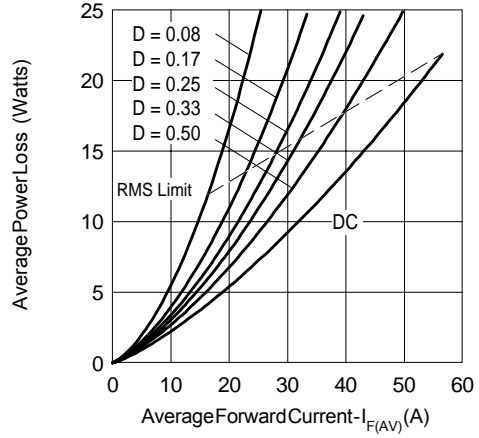


Fig. 6- Forward Power Loss Characteristics (Per Leg)

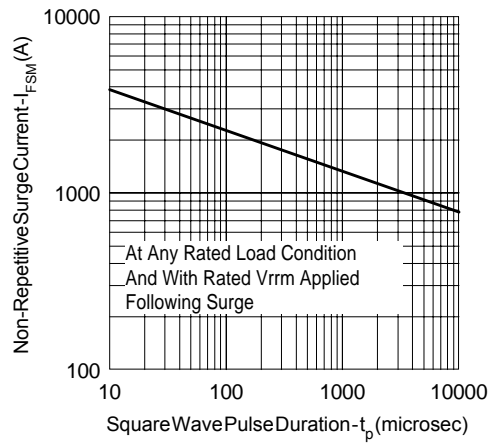


Fig. 7- Max. Non-Repitative Surge Current (Per Leg)

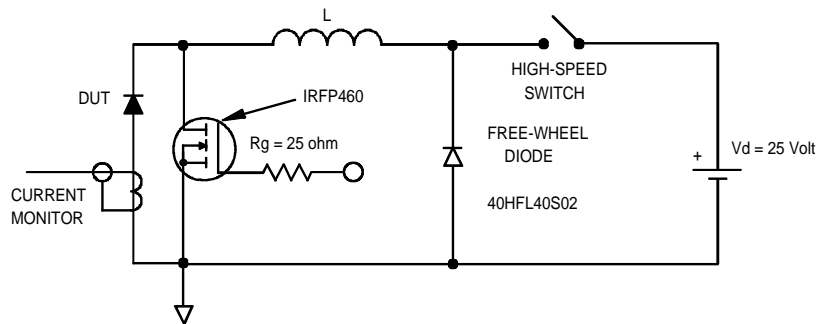
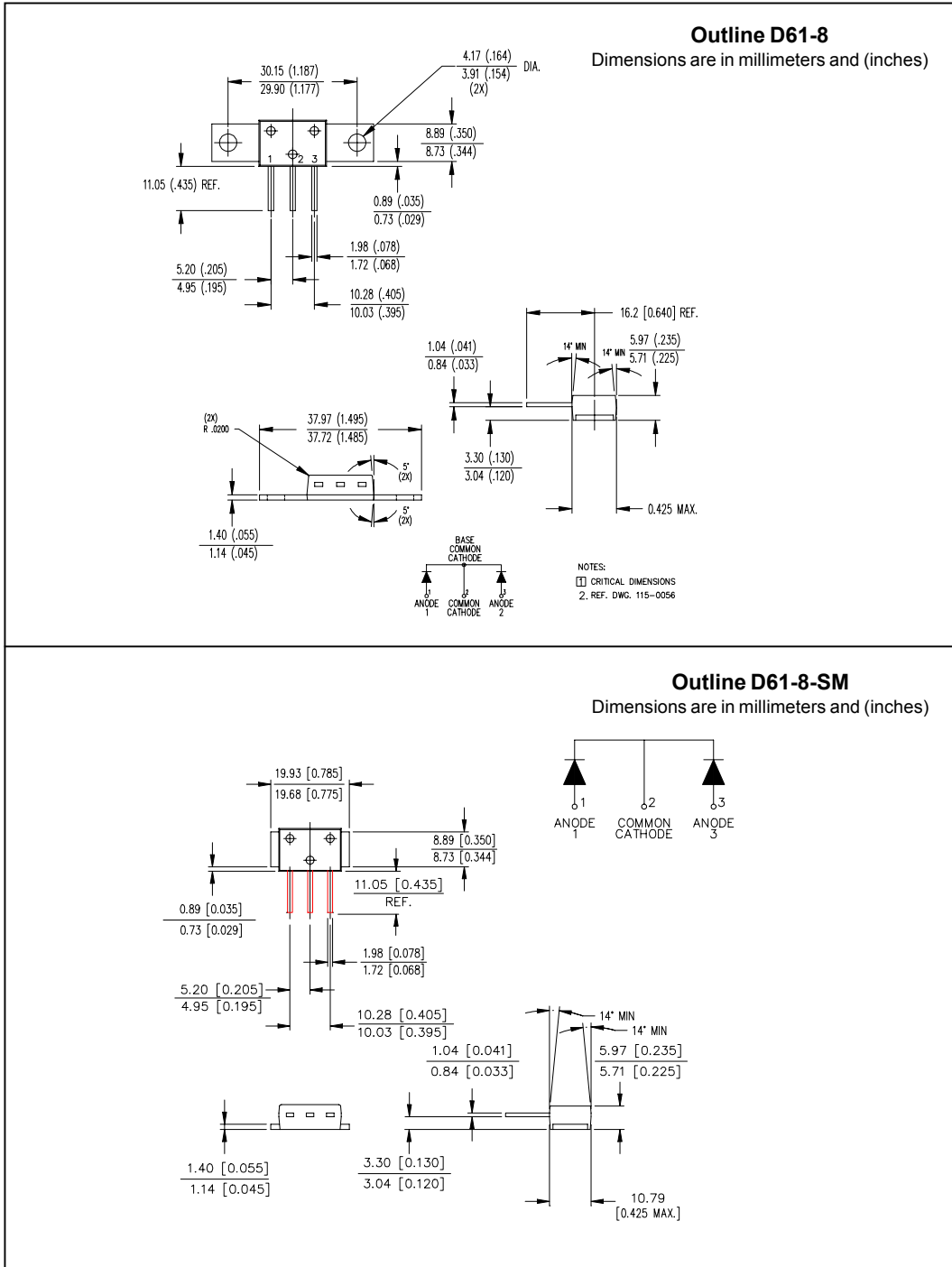
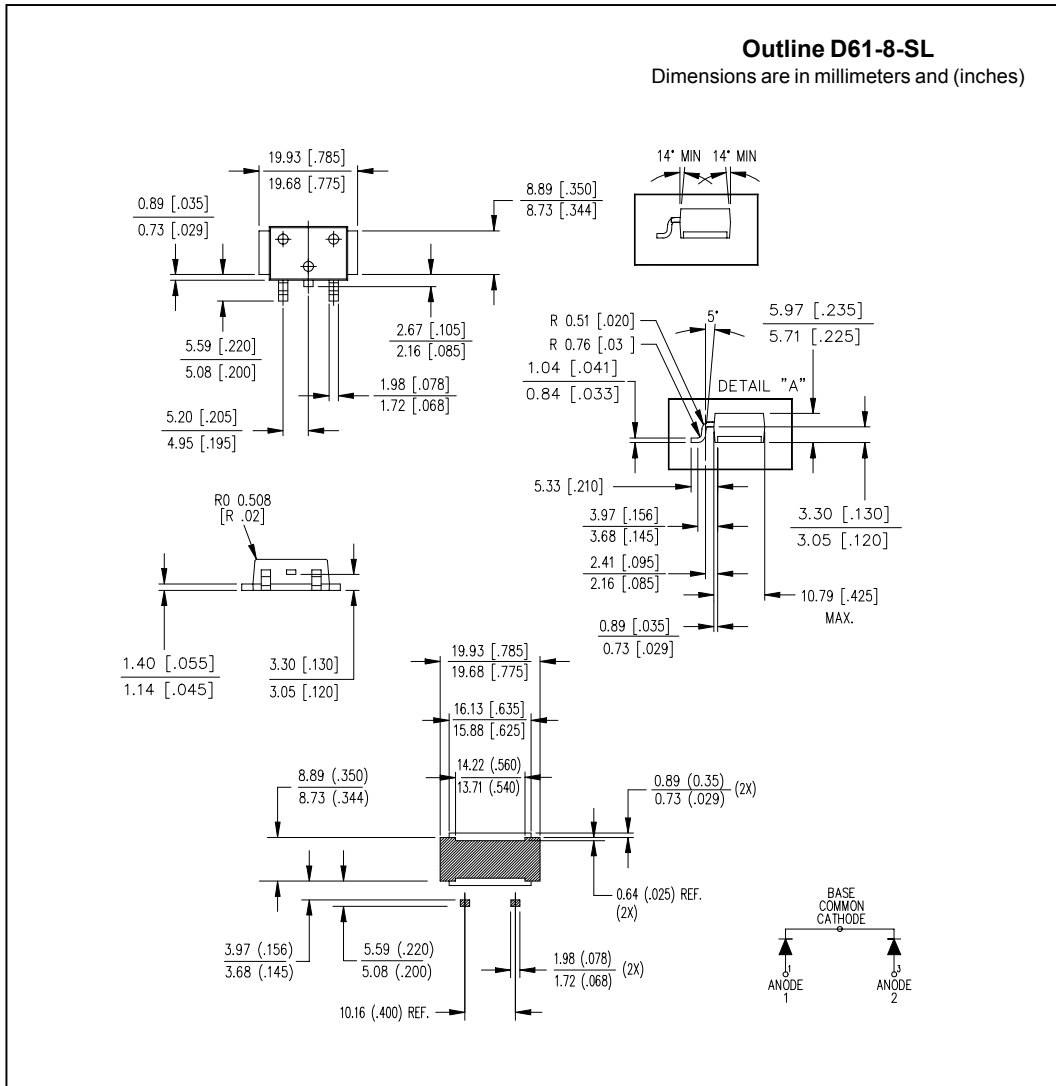


Fig. 8- Unclamped Inductive Test Circuit

Outline Table

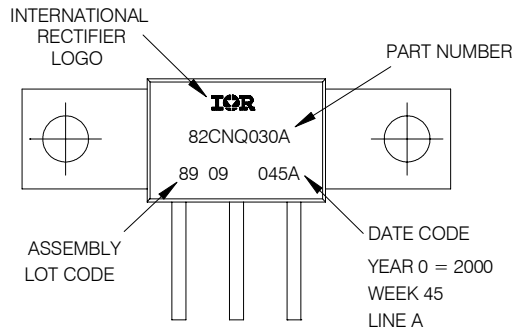


Outline Table



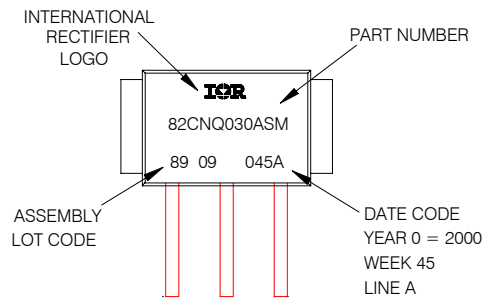
Part Marking Information

EXAMPLE: THIS IS A 82CNQ030A WITH  
 LOT CODE 89 09  
 ASSEMBLED ON WW 45, 2000  
 IN THE ASSEMBLY LINE "A"



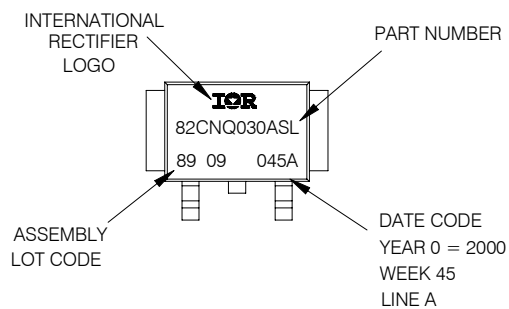
D61-8

EXAMPLE: THIS IS A 82CNQ030ASM WITH  
 LOT CODE 89 09  
 ASSEMBLED ON WW 45, 2000  
 IN THE ASSEMBLY LINE "A"



D61-8-SM

EXAMPLE: THIS IS A 82CNQ030ASL WITH  
 LOT CODE 89 09  
 ASSEMBLED ON WW 45, 2000  
 IN THE ASSEMBLY LINE "A"



D61-8-SL

82CNQ030A

Bulletin PD-20041 rev. B 09/01

International  
**IOR** Rectifier

---

Data and specifications subject to change without notice.  
This product has been designed and qualified for Industrial Level.  
Qualification Standards can be found on IR's Web site.

International  
**IOR** Rectifier

**IR WORLD HEADQUARTERS:** 233 Kansas St., El Segundo, California 90245, USA Tel: (310) 252-7105  
TAC Fax: (310) 252-7309

Visit us at [www.irf.com](http://www.irf.com) for sales contact information. 09/01