

## OXU3102, USB SuperSpeed 3.0 to Dual SATA RAID Controller with Encryption

### Highlights

#### General Features

- High performance USB 3.0 to dual SATA RAID storage controller with Encryption

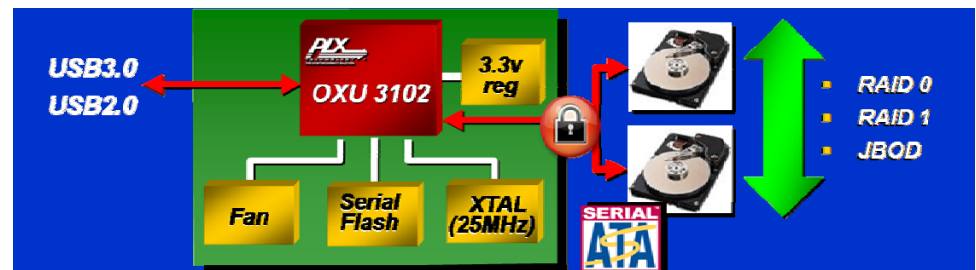
#### Key Features

- High performance USB 3.0 to dual SATA RAID storage controller with Encryption
- Integrated USB 3.0 / USB 2.0 PHY
- Hardware RAID engine supporting RAID 0, 1 and JBOD
- Integrated dual port SATA II compliant core and PHY
  - Supports 3.0Gbps and 1.5Gbps interfaces
- Integrated hardware cipher engine supporting 128 and 256-bit AES encryption / decryption:
  - Support for AES-ECB and AES-CBC algorithms
  - Support for AES-XTS as defined by IEEE P1619
  - Host software and driver supplied for password application for PC
- Support for UAS/UASP (USB attached SCSI Protocol) delivering maximum throughput
- Support for BOT (Bulk only Transport)
- Support for USB Mass Storage Class
- SPI interface for serial flash
- Secondary SPI for simple interface to external system components such as LCD display
- Up to 27 GPIOs allow easy product customization
- In-field update of firmware via USB
- 3.3V supply voltage
  - Internal regulator for core voltage

*The OXU3102 is a high performance dual storage controller bridging between USB SuperSpeed 3.0 and up to 2 SATA hard disks.*

The OXU3102 delivers best-in-class performance and enables a range of secure and non-secure personal storage applications, including dual disk RAID configurations.

Fully compliant with the USB 3.0 Specification, the OXU3102, is the flagship device in PLX's portfolio of USB 3.0 to SATA bridges.



The integrated hardware RAID engine supports a range of RAID modes which deliver either maximum performance (RAID 0), maximum data protection (RAID 1) or maximum capacity (spanning).

The integrated cipher engine provides advanced encryption and decryption capabilities in hardware and enables OEMs to rapidly deploy full disk encryption solutions, providing end users with peace-of-mind that their private content is safe and secure in the event of theft or loss.

The OXU3102 is supported by a comprehensive support package that includes evaluation boards, reference designs, and software development kit.

### USB SuperSpeed 3.0

The embedded USB 3.0 PHY supports SuperSpeed, High Speed and Full Speed modes, using either bulk-only transport Mass Storage Class device protocol or the new USB Attached SCSI Protocol (UASP). Its fast read and write transfers ensure that the maximum possible host performance is maintained.

### SATA Interface

The embedded 3GHz SATA host interfaces supports the latest revisions of the SATA II specifications. Interface speeds of 3GHz and 1.5GHz deliver maximum performance with minimum latency for external SATA storage.

### Power Management

The OXU3102 provides OEMs with a range of power saving modes to ensure minimal power consumption in all configurations, including:

- USB 3.0 U0 – U3 power states
- USB 2.0 standby / suspend states
- SATA Interface Power Management (IPM)

## OXU3102, USB SuperSpeed 3.0 to Dual SATA RAID Controller with Encryption

### Embedded Processor

The on-chip RISC processor enables a whole new series of standalone consumer electronic product to be developed in a simple C programming environment.

### RAID

The integrated hardware RAID engine supports the following modes over all interfaces:

- RAID 0, or data striping, delivers the highest performance but provides no data redundancy or fault tolerance
- RAID 1, or data mirroring, provides the highest level of fault tolerance with 100% data redundancy
- JBOD where each physical HDD in the system to an independent logical volume one the host PC. JBOD systems have the same fault tolerance and performance as a single disk

### Encryption

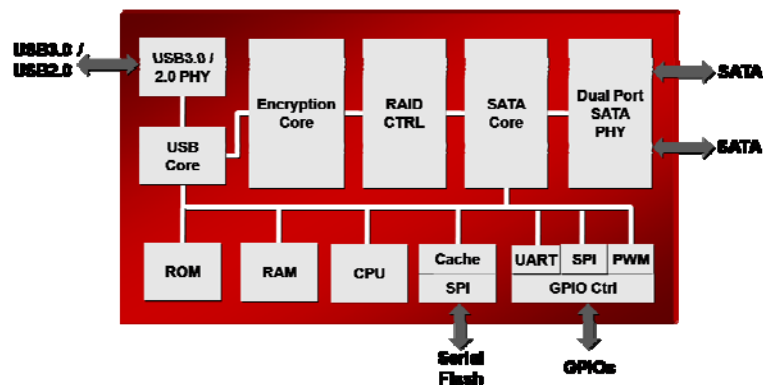
The integrated hardware cipher engine supports real-time, on-the-fly encryption / decryption of the data to the Advanced Encryption Standard (AES), providing a means whereby a users' data can be securely stored, and made unavailable to unauthorized users.

The cipher engine can be configured for the following AES algorithms:

- ECB – Electronic Code Book
- CBC – Cipher Block Chaining
- XTS – XEX-based Tweaked CodeBook with CipherText Stealing

In addition to a high-performance cipher engine, the OXU3102 is complemented by robust authentication solutions, including software password. A customizable host application is provided for PCs to:

- Define and manage up to 10 passwords
- Authenticate and mount the drive
- Safely de-authenticate and un-mount the drive.



OXU3102 Block Diagram

### Development Support

For external PC storage solutions, PLX Technology offers a comprehensive support package including:

- Reference designs comprising both hardware and software components
- Evaluation boards with pre-built application firmware
- Software Development Kit (SDK) comprising source code and debug boards
- Extensive range of application notes to shorten learning curves and simplify implementation

### Product Ordering Information

Part Number	Description
OXU3102- AANC G	USB 3.0 to Dual SATA controller with Encryption

PLX Technology, Inc. All rights reserved. PLX and the PLX logo are trademarks of PLX Technology, Inc. All other product names that appear in this material are for identification purposes only and are acknowledged to be trademarks or registered trademarks of their respective companies. Information supplied by PLX is believed to be accurate and reliable, but PLX assumes no responsibility for any errors that may appear in this material. PLX reserves the right, without notice, to make changes in product design or specification.

Visit [www.plxtech.com/OXU3102](http://www.plxtech.com/OXU3102) for more information.