

Electrical Characteristics: @25°C

OCL:350uH Min @ 100KHz,200mV,with 8mA DC BIAS

LL:0.5uH Max @100KHz,200mV

Cw/w:25PF TYP @100KHz,200mV

DCR:1.4Ω Max

Turn Ratio:1CT:1CT(TX)/1CT:1CT(RX)±5%

Insertion Loss : 1-100MHz - 1.0dB Max

Return Loss : 1-30MHz -18dB Min

40MHz -14.4dB Min

50MHz -13.1dB Min

60-80MHz -12dB Min

100MHz -10dB Min

Cross Talk: 30MHz -45dB Min

60MHz -40dB Min

100MHz -35dB Min

Common Mode Rejection: 30MHz -40dB Min

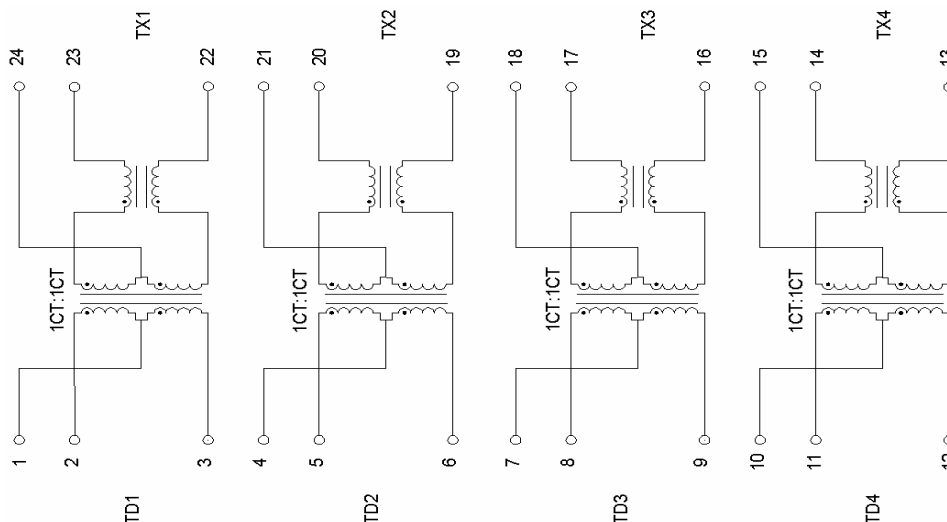
60MHz -35dB Min

100MHz -30dB Min

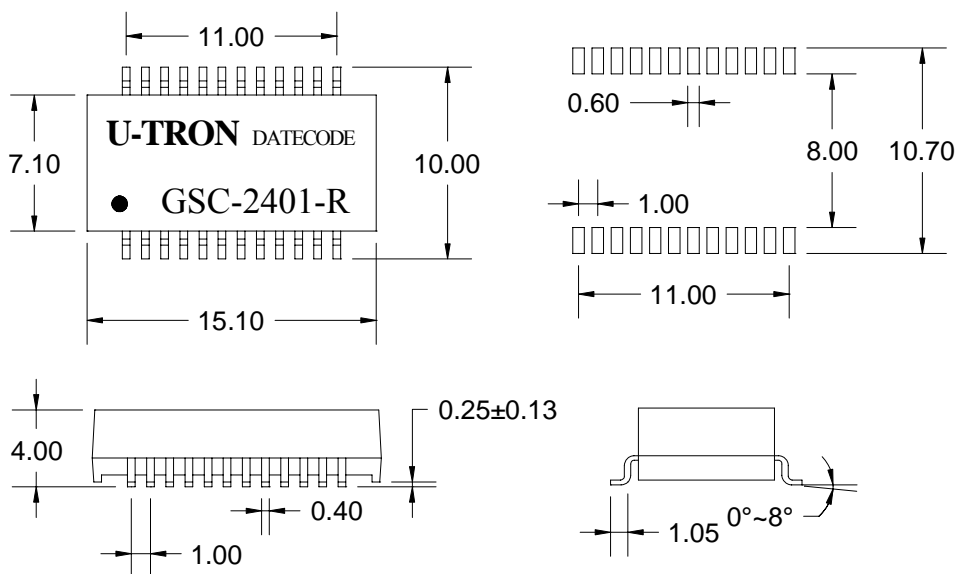
Isolation Hi-Pot:1500Vrms

Operating temperature 0°C to 70°C

Schematic:



Dimensions:



Dimensions: mm

Unless otherwise specified, all tolerances are ±0.25