

## 3A, DC/DC Converter with Dual Rail-to-Rail Current Sense

### FEATURES

- Dual 100mV Rail-to-Rail Current Sense Amplifiers
- Wide Input Voltage Range: 2.5V to 25V
- 3A, 42V Internal Switch
- High Efficiency Power Conversion: Up to 93%
- Drives LEDs in Boost, Buck-Boost or Buck Mode
- Frequency Set by External Resistor: 200kHz to 3.5MHz
- Programmable Soft-Start
- Low  $V_{CESAT}$  Switch: 0.3V at 2.5A
- Capable of Positive and Negative Output Voltages (Boost, Inverting, SEPIC, Flyback)
- Available in Thermally Enhanced 20-Lead (4mm × 4mm) QFN and 20-Lead TSSOP Packages

### APPLICATIONS

- High Power LED Driver
- DSL Modems
- Distributed Power
- Input/Output Current Limited Boost, SEPIC, Inverting, Flyback Converters
- Constant-Voltage, Constant-Current Source

### DESCRIPTION

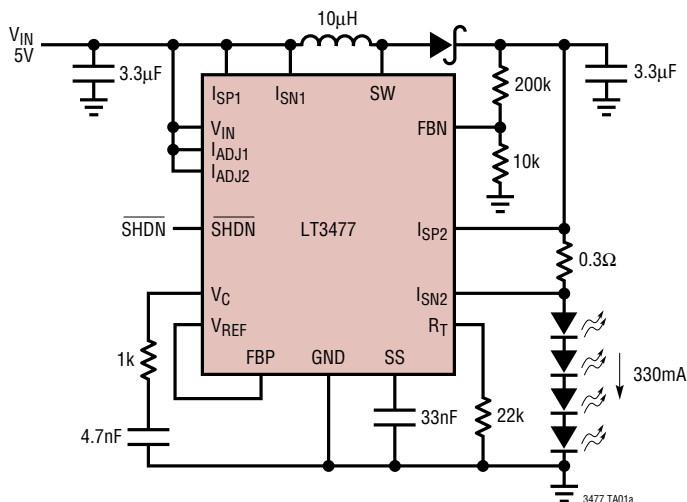
The LT<sup>®</sup>3477 is a current mode, 3A DC/DC step-up converter with dual rail-to-rail current sense amplifiers and an internal 3A, 42V switch. It combines a traditional voltage feedback loop and two unique current feedback loops to operate as a constant-current, constant-voltage source. Both current sense voltages are set at 100mV and can be adjusted independently using the I<sub>ADJ1</sub> and I<sub>ADJ2</sub> pins. Efficiency of up to 91% can be achieved in typical applications. The LT3477 features a programmable soft-start function to limit inductor current during start-up. Both inputs of the error amplifier are available externally allowing positive and negative output voltages (Boost, Inverting, SEPIC, Flyback). The switching frequency is programmable from 200kHz to 3.5MHz through an external resistor.

Available in thermally enhanced 20-pin (4mm × 4mm) QFN and 20-pin TSSOP packages, the LT3477 provides a complete solution for both constant-voltage and constant-current applications.

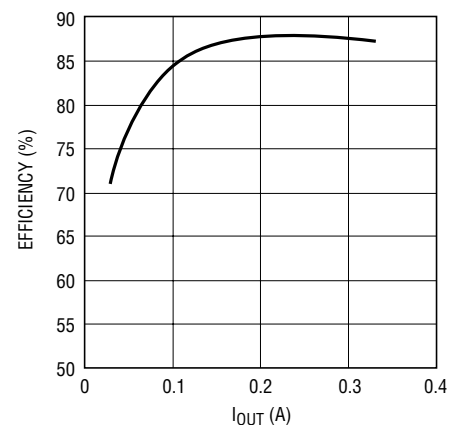
LT, LT, LTC and LTM are registered trademarks of Linear Technology Corporation. All other trademarks are the property of their respective owners.

### TYPICAL APPLICATION

330mA LED Driver with Open LED Protection



Efficiency



3477 TA01b

# LT3477

## ABSOLUTE MAXIMUM RATINGS (Note 1)

SW Pin Voltage .....	42V	Junction Temperature .....	125°C
$V_{IN}$ , SHDN Pin Voltage .....	25V	Operating Temperature Range (Note 2)	
FBP, FBN Pin Voltage .....	6V	LT3477E .....	-40°C to 85°C
$V_{REF}$ Pin Voltage .....	6V	LT3477I .....	-40°C to 125°C
$R_T$ , $V_C$ , SS Pin Voltage .....	6V	Storage Temperature Range .....	-65°C to 125°C
$I_{ADJ1}$ , $I_{ADJ2}$ Pin Voltage .....	25V	Lead Temperature (Soldering, 10 sec)	
$I_{SP1}$ , $I_{SP2}$ , $I_{SN1}$ , $I_{SN2}$ Pin Voltage .....	42V	TSSOP .....	300°C

## PACKAGE/ORDER INFORMATION

<p style="text-align: center;">TOP VIEW</p> <p style="text-align: center;">UF PACKAGE 20-LEAD (4mm × 4mm) PLASTIC QFN</p> <p style="text-align: center;"><math>T_{JMAX} = 125^{\circ}\text{C}</math>, <math>\theta_{JA} = 37^{\circ}\text{C/W}</math> EXPOSED PAD (PIN 21) IS PGND (MUST BE SOLDERED TO PCB)</p>		<p style="text-align: center;">TOP VIEW</p> <p style="text-align: center;">FE PACKAGE 20-LEAD PLASTIC TSSOP</p> <p style="text-align: center;"><math>T_{JMAX} = 150^{\circ}\text{C}</math>, <math>\theta_{JA} = 40^{\circ}\text{C/W}</math> EXPOSED PAD (PIN 21) IS PGND (MUST BE SOLDERED TO PCB)</p>	
ORDER PART NUMBER	UF PART MARKING	ORDER PART NUMBER	SW PART MARKING
LT3477EUF	3477	LT3477EFE	
LT3477IUF	3477	LT3477IFE	
<p><b>Order Options</b> Tape and Reel: Add #TR Lead Free: Add #PBF Lead Free Tape and Reel: Add #TRPBF Lead Free Part Marking: <a href="http://www.linear.com/leadfree/">http://www.linear.com/leadfree/</a></p>			

Consult LTC Marketing for parts specified with wider operating temperature ranges.

## ELECTRICAL CHARACTERISTICS

The ● indicates specifications which apply over the full operating temperature range, otherwise specifications are at  $T_A = 25^{\circ}\text{C}$ ,  $V_{IN} = 2.5\text{V}$ ,  $V_{SHDN} = 2.5\text{V}$ .

PARAMETER	CONDITIONS	MIN	TYP	MAX	UNITS
Minimum Input Voltage		●	2.3	2.5	V
Quiescent Current	$V_{SHDN} = 0\text{V}$ $V_{SHDN} = 2.5\text{V}$ , $V_C = 0.3\text{V}$ (Not Switching)		0.1 5.0	1.0 7.5	$\mu\text{A}$ mA
Reference Voltage	E Grade I Grade	● ●	1.216 1.210	1.235 1.260	V
Reference Voltage Line Regulation	$2.5\text{V} < V_{IN} < 25\text{V}$ , $V_C = 0.3\text{V}$		0.01	0.03	%/V
Maximum $V_{REF}$ Pin Current	Out of Pin			100	$\mu\text{A}$

3477fb

**ELECTRICAL CHARACTERISTICS** The ● indicates specifications which apply over the full operating temperature range, otherwise specifications are at  $T_A = 25^\circ\text{C}$ .  $V_{IN} = 2.5\text{V}$ ,  $V_{SHDN} = 2.5\text{V}$ .

PARAMETER	CONDITIONS	MIN	TYP	MAX	UNITS
Soft-Start Pin Current	SS = 0.5V, Out of Pin		9		$\mu\text{A}$
FBP Pin Bias Current			25	100	nA
FBN Pin Bias Current			25	100	nA
Feedback Amplifier Offset Voltage	FBP – FBN, $V_C = 1\text{V}$	-2	2	6	mV
Feedback Amplifier Voltage Gain			500		V/V
Voltage Feedback Amplifier Transconductance			500		$\mu\text{S}$
Feedback Amplifier Sink Current	$V_{FBP} = 1.25\text{V}$ , $V_{FBN} = 1.5\text{V}$ , $V_C = 1\text{V}$		10		$\mu\text{A}$
Feedback Amplifier Source Current	$V_{FBP} = 1.25\text{V}$ , $V_{FBN} = 1\text{V}$ , $V_C = 0.5\text{V}$		10		$\mu\text{A}$
Current Sense Amplifier Sense Voltage	Positive Rail, $V_{CM} = 25\text{V}$ , E Grade	● 97.5	100	102.5	mV
	Positive Rail, $V_{CM} = 25\text{V}$ , I Grade	● 97.5	100	103	mV
	Ground	88	100	112	mV
Switching Frequency	$R_T = 17.2\text{k}$	0.9	1	1.15	MHz
	$R_T = 107.4\text{k}$	160	200	240	kHz
	$R_T = 2.44\text{k}$	2.7	3.5	4.3	MHz
Maximum Switch Duty Cycle	$R_T = 17.2\text{k}$	● 87	93		%
Switch Current Limit	(Note 3)	3	4	5	A
Switch $V_{CESAT}$	$I_{SW} = 1\text{A}$ (Note 3)		150	200	mV
Switch Leakage Current	SW = 40V		0.2	5	$\mu\text{A}$
$\overline{\text{SHDN}}$ Pin Current	$V_{SHDN} = 5\text{V}$		30	60	$\mu\text{A}$
	$V_{SHDN} = 0\text{V}$		0.1	1	$\mu\text{A}$
$\overline{\text{SHDN}}$ Pin Threshold		0.3	1.5	2	V

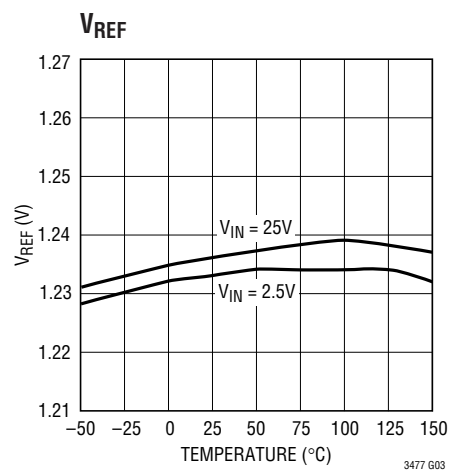
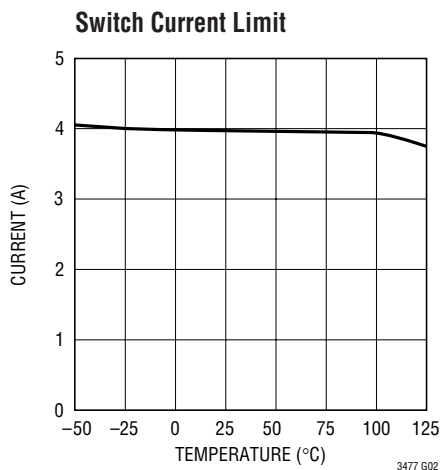
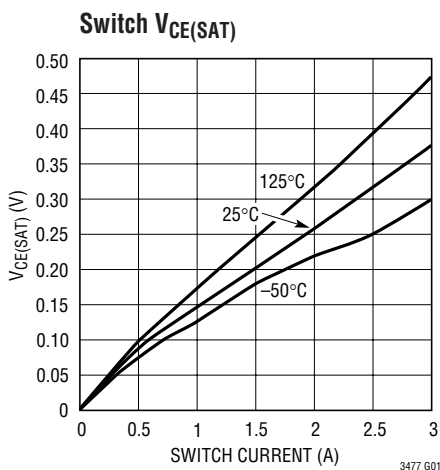
**Note 1:** Stresses beyond those listed under Absolute Maximum Ratings may cause permanent damage to the device. Exposure to any Absolute Maximum Rating condition for extended periods may affect device reliability and lifetime.

**Note 2:** The LT3477E is guaranteed to meet performance specifications from  $0^\circ\text{C}$  to  $70^\circ\text{C}$ . Specifications over the  $-40^\circ\text{C}$  to  $85^\circ\text{C}$  operating

junction temperature range are assured by design, characterization and correlation with statistical process controls. The LT3477I is guaranteed over the full  $-40^\circ\text{C}$  to  $125^\circ\text{C}$  operating junction temperature range.

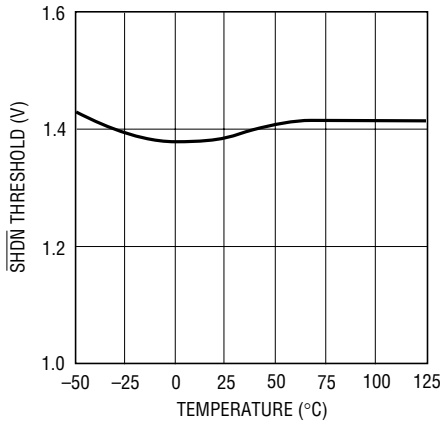
**Note 3:** Switch current limit and switch  $V_{CESAT}$  for UF package guaranteed by design and/or correlation to static test.

**TYPICAL PERFORMANCE CHARACTERISTICS**



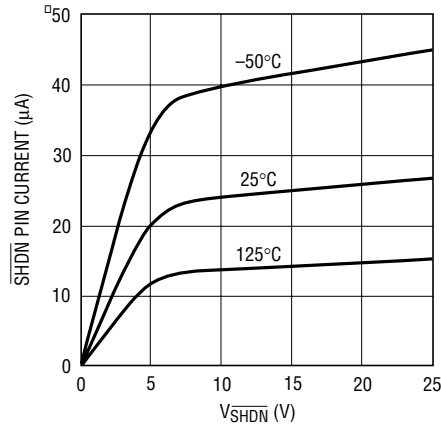
# TYPICAL PERFORMANCE CHARACTERISTICS

**SHDN Pin Turn-On Threshold**



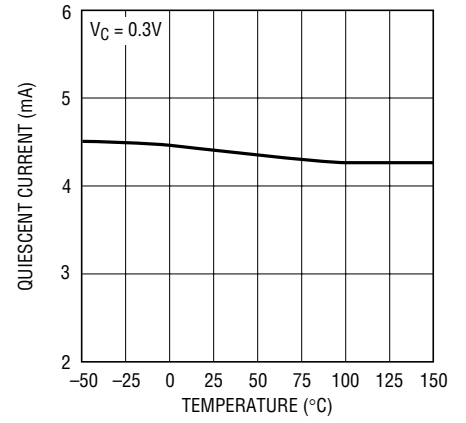
3477 G04

**SHDN Pin Current**



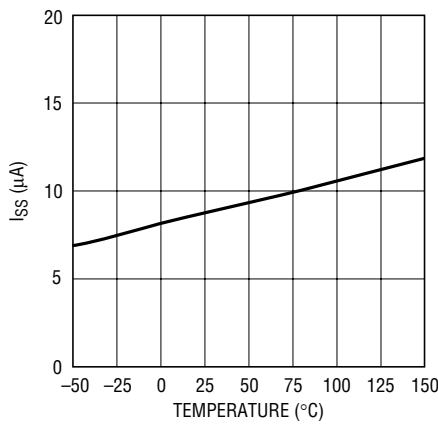
3477 G05

**Quiescent Current**



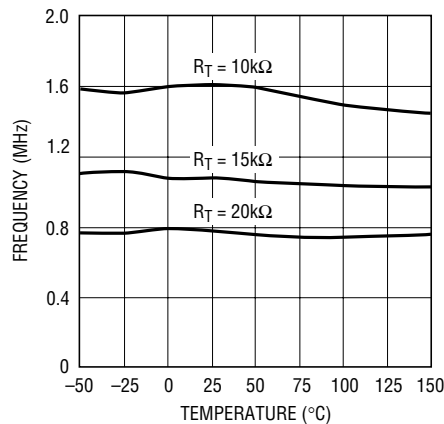
3477 G06

**Soft-Start Pin Current**



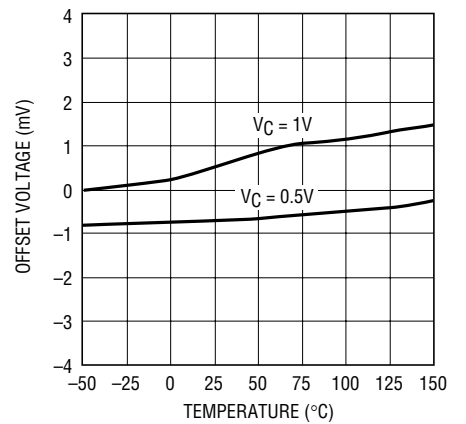
3477 G07

**Oscillator Frequency**



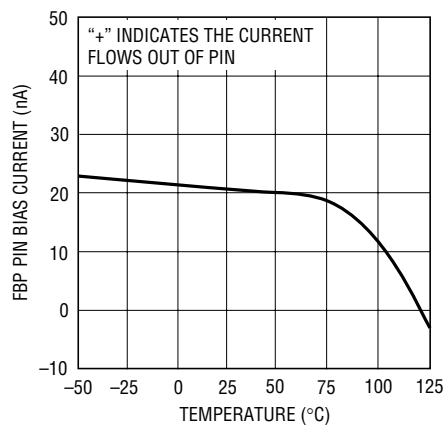
3477 G08

**Feedback Amplifier Offset Voltage**



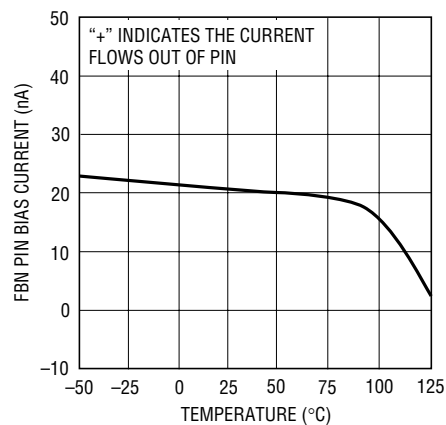
3477 G09

**FBP Pin Bias Current**



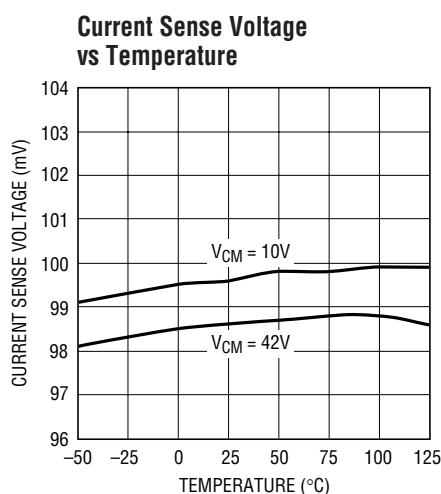
3477 G10

**FBN Pin Bias Current**

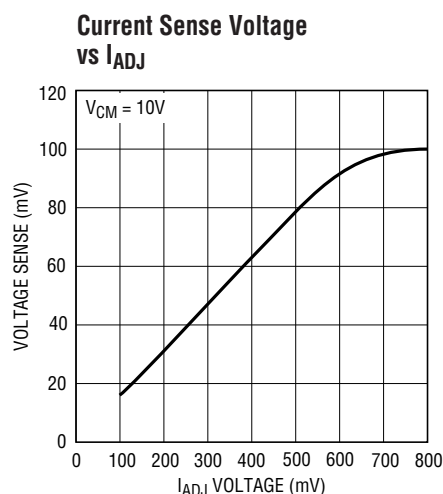


3477 G11

## TYPICAL PERFORMANCE CHARACTERISTICS



3477 G14



2477 G13

## PIN FUNCTIONS (QFN/TSSOP)

**NC (Pins 1, 2, 20/Pins 18, 19, 20):** No Connect Pin. Okay to connect to ground or  $V_{IN}$ , or to float.

**$V_{IN}$  (Pin 3/Pin 1):** Input Supply. Must be locally bypassed. Powers the internal control circuitry.

**$R_T$  (Pin 4/Pin 2):** Timing Resistor Pin. Adjusts the switching frequency. Connect a 17.2k resistor between  $R_T$  and GND for a 1MHz switching frequency. Do not leave this pin open. See Table 4 for additional  $R_T$  values and switching frequencies.

**SHDN (Pin 5/Pin 3):** Shutdown. Tie to 2V or greater to enable the device. Tie below 0.3V to turn off the device.

**SS (Pin 6/Pin 4):** Soft-Start. Place a soft-start capacitor here. Leave floating if not in use.

**$V_C$  (Pin 7/Pin 5):** Compensation Pin for Error Amplifier. Connect a series RC from this pin to GND. Typical values are 1k $\Omega$  and 4.7nF.

**FBN (Pin 8/Pin 6):** The Inverting Input to the Error Amplifier. Connect resistive divider tap here for positive output voltage.

**FBP (Pin 9/Pin 7):** The Noninverting Input to the Error Amplifier. Connect resistive divider tap here for negative output voltage.

**$V_{REF}$  (Pin 10/Pin 8):** Bandgap Voltage Reference. Internally set to 1.235V. Connect this pin to FBP if generating a positive output or to an external resistor divider if generating a negative voltage. This pin can provide up to 100 $\mu$ A of current and can be locally bypassed with a 100pF capacitor.

**$I_{ADJ2}$  (Pin 11/Pin 9):** Second Current Sense Adjustment. Setting  $I_{ADJ2}$  to be less than 625mV leads to adjustment of the sensed voltage of the second current sense amplifier linearly. If  $I_{ADJ2}$  is tied to higher than 650mV, the default current sense voltage is 100mV. If current sense amplifier 2 is not used, always tie  $I_{ADJ2}$  to higher than 650mV.

**$I_{ADJ1}$  (Pin 12/Pin 10):** First Current Sense Adjustment. Setting  $I_{ADJ1}$  to be less than 625mV leads to adjustment of the sensed voltage of the first current sense amplifier linearly. If  $I_{ADJ1}$  is tied to higher than 650mV, the default current sense voltage is 100mV. If current sense amplifier 1 is not used, always tie  $I_{ADJ1}$  to higher than 650mV.

**PIN FUNCTIONS** (QFN/TSSOP)

**I<sub>SP2</sub> (Pin 13/ Pin 11):** Second Current Sense (+) Pin. The noninverting input to the second current sense amplifier. Connect to I<sub>SN2</sub> if not used.

**I<sub>SN2</sub> (Pin 14/ Pin 12):** Second Current Sense (-) Pin. The inverting input to the second current sense amplifier. Connect to I<sub>SP2</sub> if not used.

**I<sub>SP1</sub> (Pin 15/ Pin 13):** First Current Sense (+) Pin. The noninverting input to the first current sense amplifier. Connect to I<sub>SN1</sub> if not used.

**I<sub>SN1</sub> (Pin 16/ Pin 14):** First Current Sense (-) Pin. The inverting input to the first current sense amplifier. Connect to I<sub>SP1</sub> if not used.

**GND (Pins 17/ Pin 15):** Ground. Tie directly to local ground plane.

**SW (Pins 18, 19/ Pins 16, 17):** Switch Pins. Collector of the internal NPN power switch. Connect the inductor and diode here and minimize the metal trace area connected to this pin to minimize electromagnetic interference.

**Exposed Pad (Pin 21/ Pin 21):** Power Ground. Must be soldered to PCB ground for electrical contact and rated thermal performance.

**BLOCK DIAGRAM**

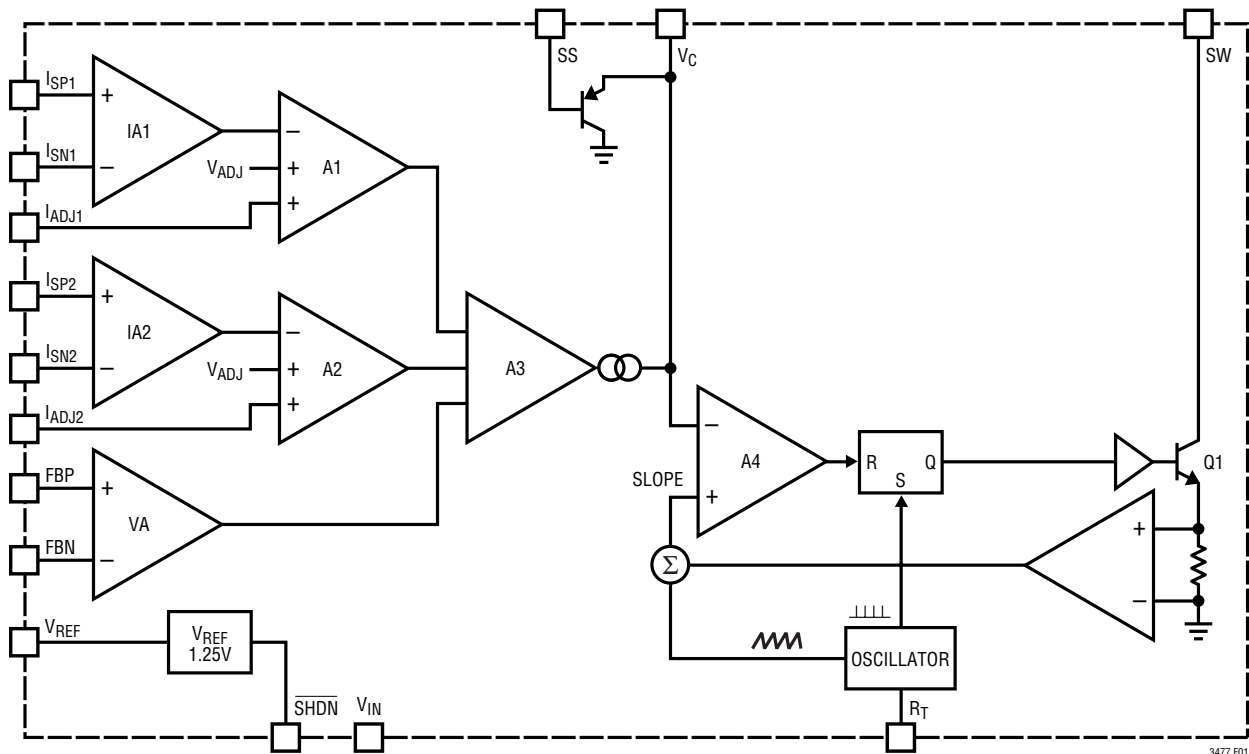


Figure 1. LT3477 Block Diagram

3477 F01

## OPERATION

The LT3477 uses a fixed frequency, current mode control scheme to provide excellent line and load regulation. Operation can be best understood by referring to the Block Diagram in Figure 1. The start of each oscillator cycle sets the SR latch and turns on power switch Q1. The signal at the noninverting input of the PWM comparator (A4 SLOPE) is proportional to the sum of the switch current and oscillator ramp. When SLOPE exceeds  $V_C$  (the output of the feedback amplifier), the PWM comparator resets the latch and turns off the power switch. In this manner, the feedback amplifier and PWM comparators set the correct peak current level to keep the output in regulation. Amplifier A3 drives A4 inverting input. A3 has three inputs, one from the voltage feedback loop and the other two from the current feedback loop. Whichever feedback input is higher takes precedence, forcing the converter into either a constant-current or a constant-voltage mode. The LT3477 is designed to transition cleanly between the two modes of operation. Current sense amplifier IA1 senses the voltage between the  $I_{SP1}$  and  $I_{SN1}$  pins and provides a pre-gain to amplifier A1. When the voltage between  $I_{SP1}$  and  $I_{SN1}$  reaches 100mV, the output of IA1 provides  $V_{ADJ}$  to the inverting input of A1 and the converter is in constant-current mode. If the current sense voltage exceeds 100mV, the output of IA1 will increase causing the output of A3 to decrease, thus reducing the amount of current delivered to

the output. In this manner the current sense voltage is regulated to 100mV. The current sense level is also pin adjustable by  $I_{ADJ1}$ . Forcing  $I_{ADJ1}$  to less than 625mV will overwrite  $V_{ADJ}$  voltage that's set internally, thus providing current level control. The second current sense amplifier, IA2, works the same as the first current sense amplifier IA1. Both current sense amplifiers provide rail-to-rail current sense operation. Similarly, for positive output voltage operation where FBP is tied to  $V_{REF}$ , if the FBN pin increases above  $V_{REF}$ , the output of A3 will decrease to reduce the peak current level and regulate the output (constant-voltage mode). For negative output voltage operation where FBN is tied to GND, if the FBP pin decreases below GND level, the output of A3 will decrease to reduce the peak current level and regulate the output (constant-voltage mode).

The LT3477 also features a soft-start function. During start-up, 9 $\mu$ A of current charges the external soft-start capacitor. The SS pin directly limits the rate of voltage rise on the  $V_C$  pin, which in turn limits the peak switch current. The switch current is constantly monitored and not allowed to exceed the nominal value of 3A. If the switch current reaches 3A, the SR latch is reset regardless of the output of the PWM comparator. Current limit protects the power switch and external components.

## APPLICATIONS INFORMATION

### Capacitor Selection

Low ESR (equivalent series resistance) ceramic capacitors should be used at the output to minimize the output ripple voltage. Use only X5R or X7R dielectrics, as these materials retain their capacitance over wider voltage and temperature ranges better than other dielectrics. A 4.7 $\mu$ F to 10 $\mu$ F output capacitor is sufficient for most high output current designs. Converters with lower output currents may need only a 1 $\mu$ F or 2.2 $\mu$ F output capacitor.

**Table 1. Ceramic Capacitor Manufacturers**

MANUFACTURER	PHONE	WEB
Taiyo Yuden	(408) 573-4150	www.t-yuden.com
AVX	(803) 448-9411	www.avxcorp.com
Murata	(714) 852-2001	www.murata.com
TDK	(847) 803-6100	www.component.tdk.com

### Inductor Selection

Several inductors that work well with the LT3477 are listed in Table 2. However, there are many other manufacturers and devices that can be used. Consult each manufacturer for more detailed information and their entire range of parts. Ferrite core inductors should be used to obtain the best efficiency. Choose an inductor that can handle the necessary peak current without saturating, and ensure that the inductor has a low DCR (copper-wire resistance) to minimize I<sup>2</sup>R power losses. A 4.7 $\mu$ H or 10 $\mu$ H inductor will suffice for most LT3477 applications.

Inductor manufacturers specify the maximum current rating as the current where the inductance falls to some

percentage of its nominal value—typically 65%. An inductor can pass a current larger than its rated value without damaging it. Aggressive designs where board space is precious will exceed the maximum current rating of the inductor to save board space. Consult each manufacturer to determine how the maximum inductor current is measured and how much more current the inductor can reliably conduct.

### Diode Selection

Schottky diodes, with their low forward voltage drop and fast switching speed, are ideal for LT3477 applications. Table 3 lists several Schottky diodes that work well with the LT3477. The diode’s average current rating must exceed the average output current. The diode’s maximum reverse voltage must exceed the output voltage. The diode conducts current only when the power switch is turned off (typically less than 50% duty cycle), so a 3A diode is sufficient for most designs. The companies below also offer Schottky diodes with higher voltage and current ratings.

**Table 3. Suggested Diodes**

MANUFACTURER PART NUMBER	MAX CURRENT (A)	MAX REVERSE VOLTAGE (V)	MANUFACTURER
UPS340	3	40	Microsemi www.microsemi.com
UPS315	3	15	
B220	2	20	Diodes, Inc www.diodes.com
B230	2	30	
B240	2	40	
B320	3	20	
B330	3	30	
B340	3	40	
SBM340	3	40	

**Table 2. Suggested Inductors**

MANUFACTURER PART NUMBER	I <sub>DC</sub> (A)	INDUCTANCE ( $\mu$ H)	MAX DCR (m $\Omega$ )	L $\times$ W $\times$ H (mm)	MANUFACTURER
CDRH6D283R0	3	3	24	6.7 $\times$ 6.7 $\times$ 3.0	Sumida www.sumida.com
CDRH6D28100	1.7	10	65	6.7 $\times$ 6.7 $\times$ 3.0	
CDRH4D284R7	1.32	4.7	72	5.0 $\times$ 5.0 $\times$ 3.0	
LM N 05D B4R7M	2.2	4.7	49	5.9 $\times$ 6.1 $\times$ 2.8	Taiyo Yuden www.t-yuden.com
LM N 05D B100K	1.6	10	10	5.9 $\times$ 6.1 $\times$ 2.8	
LQH55DN4R7M01L	2.7	4.7	57	5.7 $\times$ 5.0 $\times$ 4.7	Murata www.murata.com
LQH55DN100M01K	1.7	10	130	5.7 $\times$ 5.0 $\times$ 4.7	
FDV0630-4R7M	4.2	4.7	49	7.0 $\times$ 7.7 $\times$ 3.0	Toko www.toko.com



## APPLICATIONS INFORMATION

### Setting Positive Output Voltages

To set a positive output voltage, select the values of R1 and R2 (see Figure 2) according to the following equation:

$$V_{OUT} = 1.235V \left( 1 + \frac{R1}{R2} \right)$$

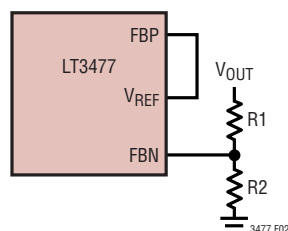


Figure 2. Positive Output Voltage Feedback Connections

### Setting Negative Output Voltages

To set a negative output voltage, select the values of R3 and R4 (see Figure 3) according to the following equation:

$$V_{OUT} = -1.235V \left( \frac{R3}{R4} \right)$$

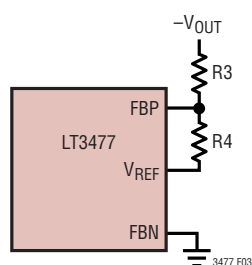


Figure 3. Negative Output Voltage Feedback Connections

### Selecting R<sub>SENSE</sub>/Current Sense Adjustment

Using the following formula to choose the correct current sense resistor value (for constant current or fail-safe operation).

$$R_{SENSE} = \frac{100mV}{I_{SENSE}}$$

For designs needing an adjustable current level, the I<sub>ADJ1</sub> and I<sub>ADJ2</sub> pins are provided for the first and the second current sense amplifiers, respectively. With the I<sub>ADJ1</sub> and I<sub>ADJ2</sub> pins tied higher than 650mV, the nominal current sense voltage is 100mV (appearing between the I<sub>SP1</sub> and I<sub>SN2</sub> or I<sub>SP2</sub> and I<sub>SN2</sub> pins). Applying a positive DC voltage less than 600mV to the I<sub>ADJ1</sub> and I<sub>ADJ2</sub> pins will decrease the current sense voltage according to the following formula:

$$I_{SENSE} = \frac{100mV}{R_{SENSE}} \cdot \frac{V_{IADJ}}{618mV}$$

For example, if 309mV is applied to the I<sub>ADJ1</sub> pin and R<sub>SENSE</sub> is 0.5Ω, the current sense will be reduced from 200mA to 100mA. The adjustability allows the regulated current to be reduced without changing the current sense resistor (e.g., to adjust brightness in an LED driver or to reduce the charge current in a battery charger).

### Considerations When Sensing Input Current

In addition to regulating the DC output current for current-source applications, the constant-current loop of the LT3477 can also be used to provide an accurate input current limit. Boost converters cannot provide output short-circuit protection, but the surge turn-on current can be drastically reduced using the LT3477 current sense at the input. SEPICs, however, have an output that is DC-isolated from the input, so an input current limit not only helps soft-start the output but also provides excellent short-circuit protection.

When sensing input current, the sense resistor should be placed in front of the inductor (between the decoupling capacitor and the inductor). This will regulate the average inductor current and maintain a consistent inductor ripple current, which will, in turn, maintain a well regulated input current. Do not place the sense resistor between the input source and the input decoupling capacitor, as this may allow the inductor ripple current to vary widely (even though the average input current and the average inductor current will still be regulated). Since the inductor current

## APPLICATIONS INFORMATION

is a triangular waveform (not a DC waveform like the output current) some tweaking of the compensation values ( $R_C$  and  $C_C$  on the  $V_C$  pin) may be required to ensure a clean inductor ripple current while the constant-current loop is in effect. For these applications, the constant-current loop response can usually be improved by reducing the  $R_C$  value or by adding a capacitor (with a value of approximately  $C_C/10$ ) in parallel with the  $R_C$  and  $C_C$  compensation network.

### Frequency Compensation

The LT3477 has an external compensation pin ( $V_C$ ), which allows the loop response to be optimized for each application. An external resistor and capacitor (or sometimes just a capacitor) are placed at the  $V_C$  pin to provide a pole and a zero (or just a pole) to ensure proper loop compensation. Several other poles and zeroes are present in the closed-loop transfer function of a switching regulator, so the  $V_C$  pin pole and zero are positioned to provide the best loop response. A thorough analysis of the switching regulator control loop is not within the scope of this data sheet, and will not be presented here, but values of 1k and 4.7nF will be a good choice for many designs. For those wishing to optimize the compensation, use the 1k and 4.7nF as a starting point.

### Board Layout

As with all switching regulators, careful attention must be paid to the PCB board layout and component placement. To maximize efficiency, switch rise and fall times are made as short as possible. To prevent radiation and high frequency resonance problems, proper layout of the high frequency switching path is essential. Minimize the length and area of all traces connected to the SW pin and always use a ground plane under the switching regulator to minimize interplane coupling. The signal path including the switch, output diode D1 and output capacitor  $C_{OUT}$ , contains nanosecond rise and fall times and should be kept as short as possible.

### Soft-Start

For many applications, it is necessary to minimize the inrush current at start-up. The built-in soft-start circuit significantly reduces the start-up current spike and output voltage overshoot. A typical value for the soft-start capacitor is 10nF.

### Switching Frequency

The switching frequency of the LT3477 is set by an external resistor attached to the  $R_T$  pin. Do not leave this pin open. A resistor must always be connected for proper operation. See Table 4 and Figure 4 for resistor values and corresponding frequencies.

Increasing switching frequency reduces output voltage ripple but also reduces efficiency. The user should set the frequency for the maximum tolerable output voltage ripple.

Table 4. Switching Frequency

SWITCHING FREQUENCY (MHz)	$R_T$ (k $\Omega$ )
3.5	2.43
3	3.65
2.5	4.87
2	6.81
1.5	10.2
1	17.4
0.5	43.2
0.2	107

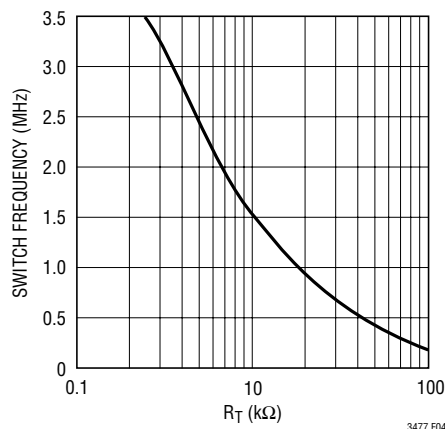


Figure 4. Switch Frequency

## APPLICATIONS INFORMATION

### PWM Dimming

For LED applications where a wide dimming range is required, two competing methods are available: analog dimming and PWM dimming. The easiest method is to simply vary the DC current through the LED—analog dimming—but changing LED current also changes its chromaticity, undesirable in many applications. The better method is PWM dimming, which switches the LED on and off, using the duty cycle to control the average current. PWM dimming offers several advantages over analog dimming and is the method preferred by LED manufacturers. By modulating the duty cycle of the PWM signal, the average LED current changes proportionally as illustrated in Figure 5. The chromaticity of the LEDs remains unchanged in this scheme since the LED current is either zero or at programmed current. Another advantage of PWM dimming over analog dimming is that a wider dimming range is possible.

The LT3477 is a DC/DC converter that is ideally suited for LED applications. For the LT3477, analog dimming offers a dimming ratio of about 10:1; whereas, PWM dimming with the addition of a few external components results in a wider dimming range of 500:1. The technique requires a PWM logic signal applied to the gate of both NMOS (refer to Figure 7). When the PWM signal is taken high the part runs in normal operation and  $I_{LED} = 100\text{mV}/R_{SENSE}$  runs

through the LEDs. When the PWM input is taken low, the LEDs are disconnected and turn off. This unique external circuitry produces a fast rise time for the LED current, resulting in a wide dimming range of 500:1 at a PWM frequency of 100Hz.

The LED current can be controlled by feeding a PWM signal with a broad range of frequencies. Dimming below 80Hz is possible, but not desirable, due to perceptible flashing of LEDs at lower PWM frequencies. The LED current can be controlled at higher frequencies, but the dimming range decreases with increasing PWM frequency, as seen in Figure 6.

PWM dimming can be used in Boost (shown in Figure 7), Buck mode (shown in Figure 8) and Buck-Boost mode (shown in Figure 9). For the typical boost topology, efficiency exceeds 80%. Buck mode can be used to increase the power handling capability for higher current LED applications. A Buck-Boost LED driver works best in applications where the input voltage fluctuates to higher or lower than the total LED voltage drop.

In high temperature applications, the leakage of the Schottky diode D1 increases, which in turn, discharges the output capacitor during the PWM “off” time. This results in a smaller effective LED dimming ratio. Consequently, the dimming range decreases to about 200:1 at 85°C.

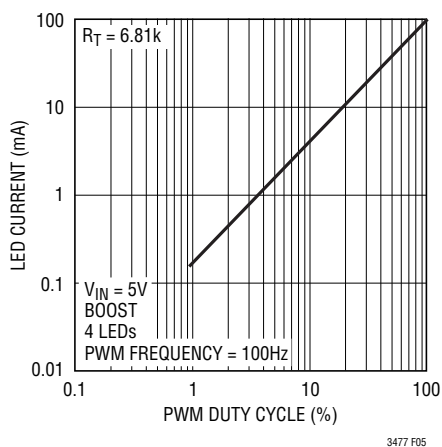


Figure 5. LED Current vs PWM Duty Cycle Wide Dimming Range (500:1)

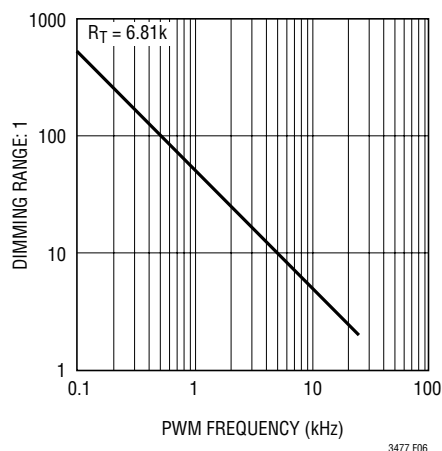
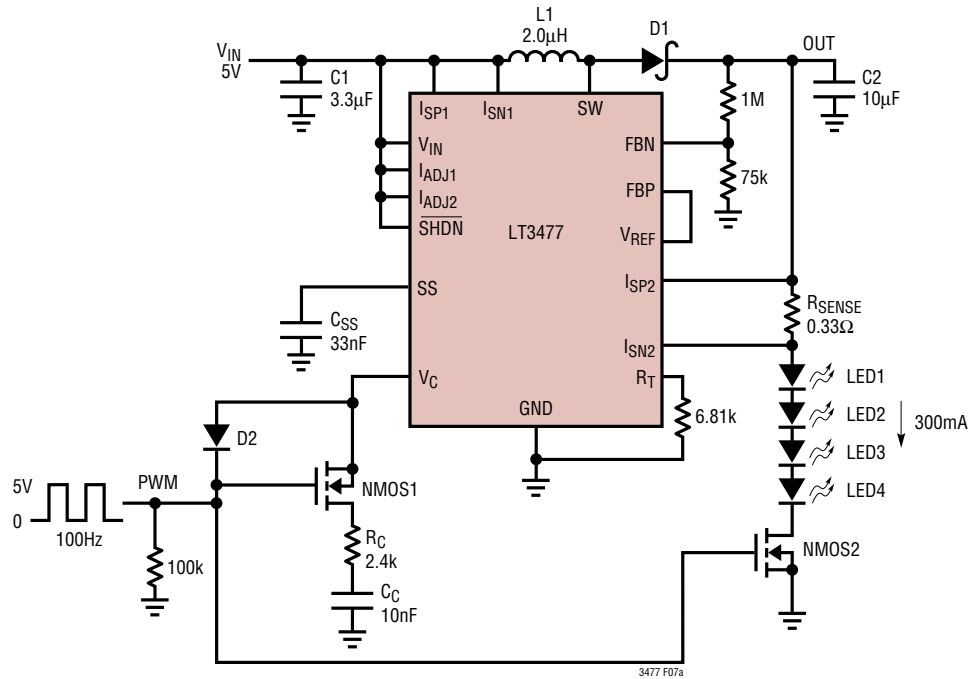


Figure 6. Dimming Range vs PWM Frequency

APPLICATIONS INFORMATION



- C1: TAIYO YUDEN EMK316BJ335ML
- C2: TAIYO YUDEN UDK325BJ106MM
- L1: TOKO D53LC (PN# A915AY-2ROM)
- D1: ZETEX ZLLS1000
- D2: DIODES INC 1N4148
- NMOS1: ZETEX 2N7002
- NMOS2: FAIRCHILD FDG327N
- LED1 TO LED4: LUMILEDS LXHL-BW02

Figure 7a. 5V to 4 White LEDs: Boost with PWM Dimming

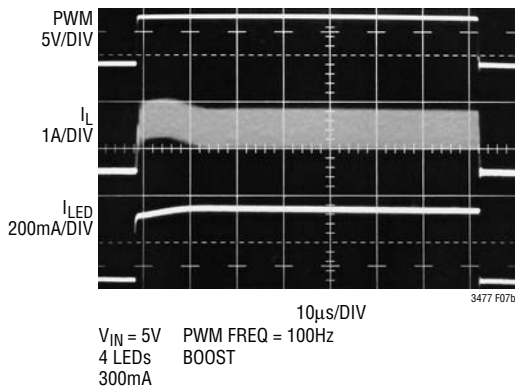


Figure 7b. PWM Dimming Waveforms

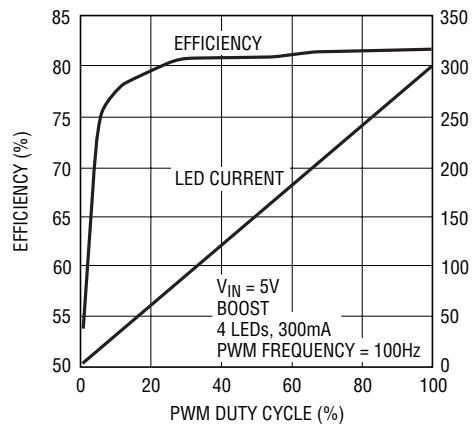


Figure 7c. Efficiency and LED Current vs PWM Duty Cycle

# APPLICATIONS INFORMATION

- C1: NIPPON NTS40X5R1H225M
- C2: TAIYO YUDEN GMK316BJ105ML
- C3: TAIYO YUDEN LMK316BJ335KL
- L1: TOKO D53LC (PN# A915AY-100M)
- D1: ZETEX ZLLS400
- D2: DIODES INC 1N4148
- NMOS1, NMOS2: ZETEX 2N7002
- PMOS: SILICONIX Si2303BDS
- LED1 TO LED6: LUMILEDS LXHL-BW02

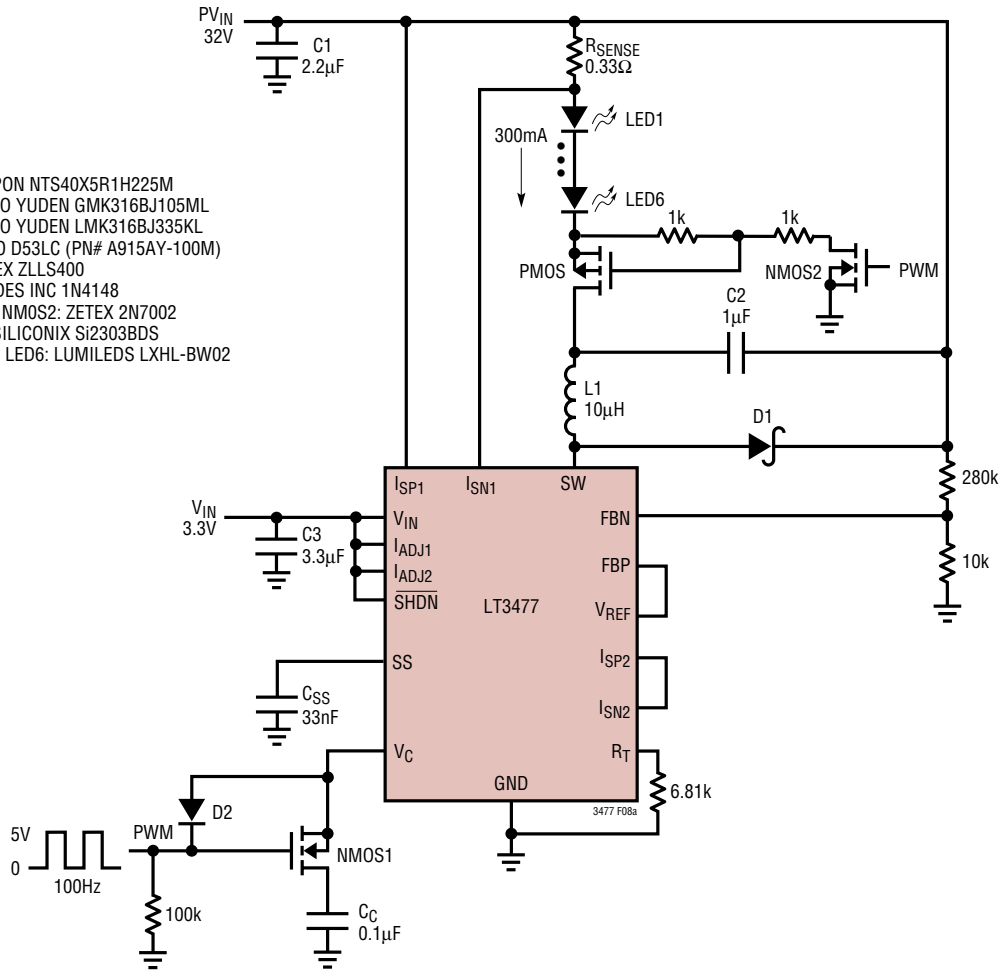


Figure 8a. 32V to 6 White LEDs: Buck Mode with PWM Dimming

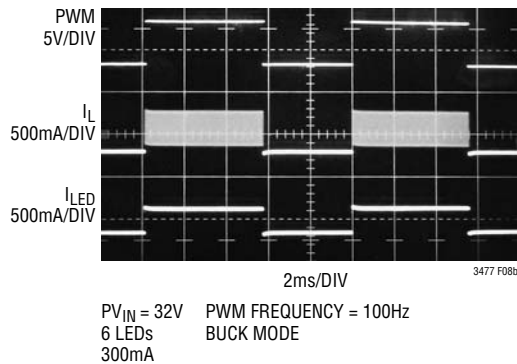


Figure 8b. PWM Dimming Waveforms

APPLICATIONS INFORMATION

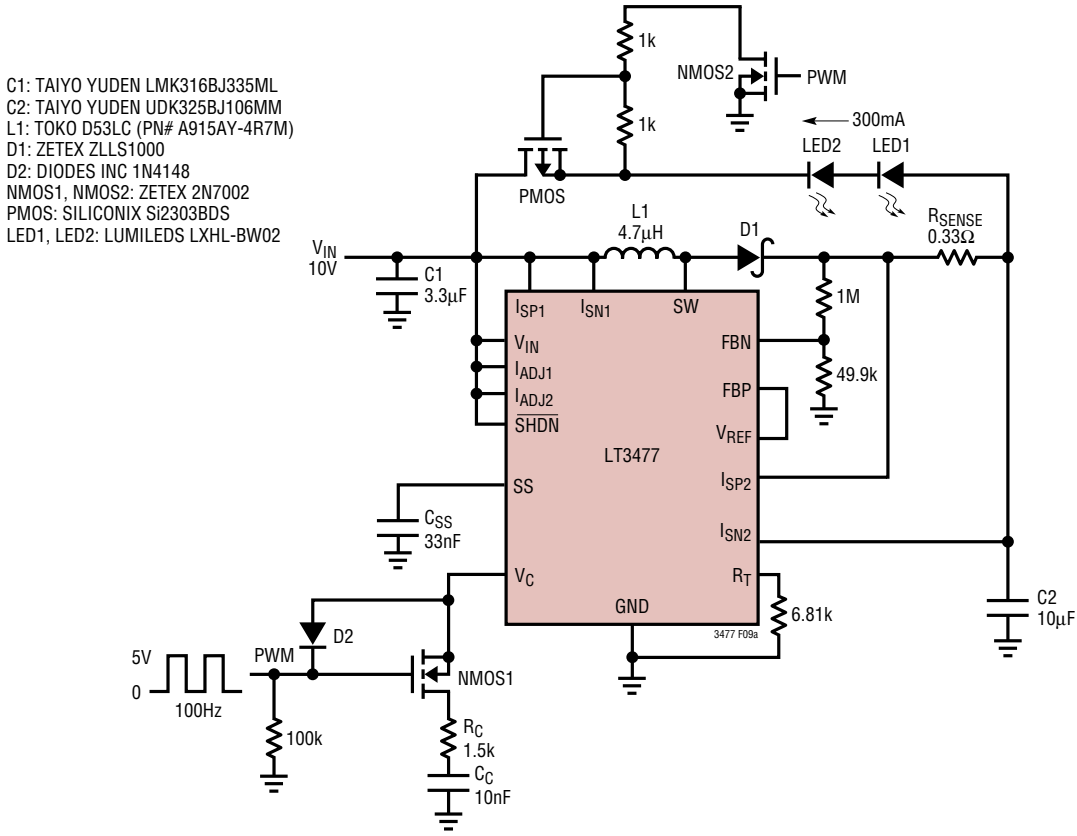


Figure 9a. 10V to 2 White LEDs: Buck-Boost Mode with PWM Dimming

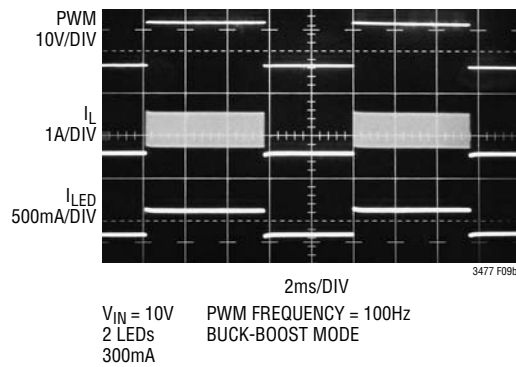
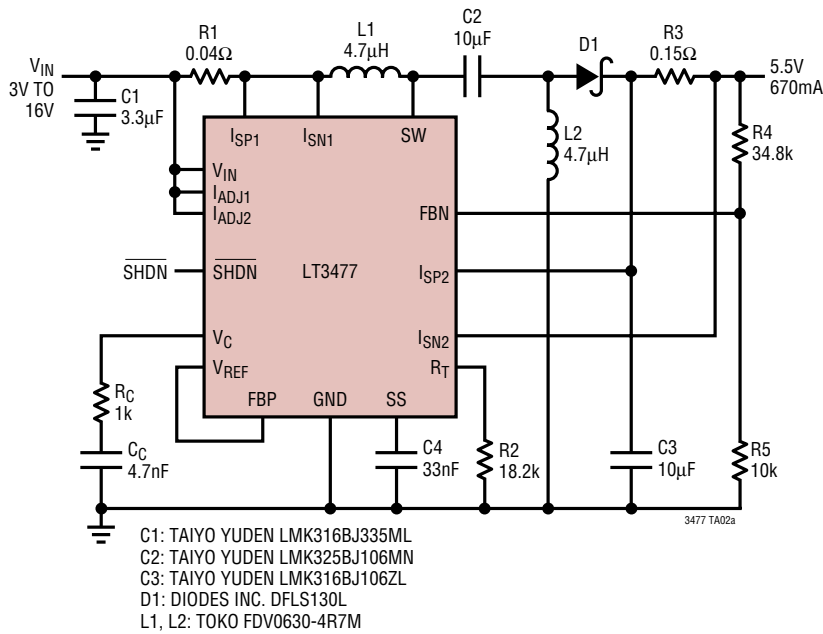


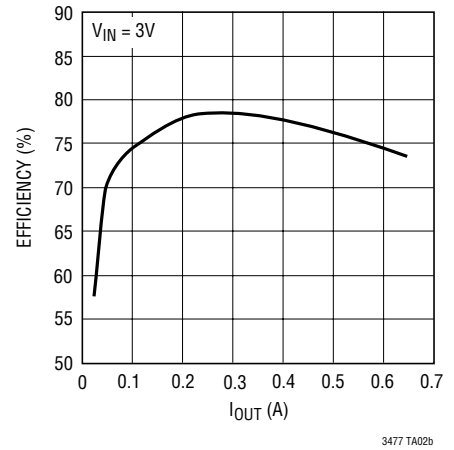
Figure 9b. PWM Dimming Waveforms

# TYPICAL APPLICATIONS

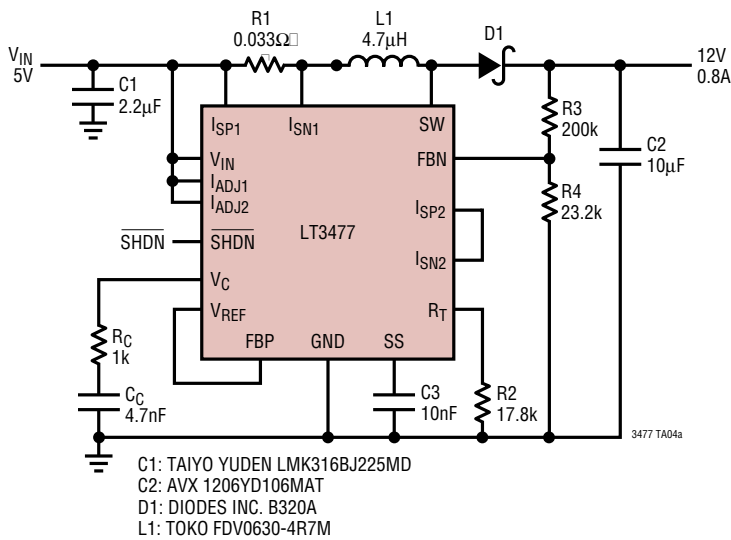
5.5V SEPIC Converter with Short-Circuit Protection



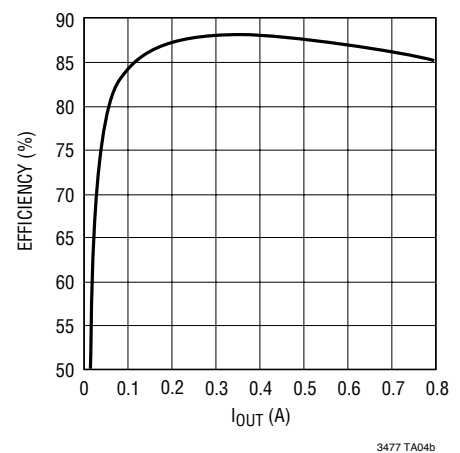
Efficiency



800mA, 5V to 12V Boost Converter with Accurate Input Current Limit

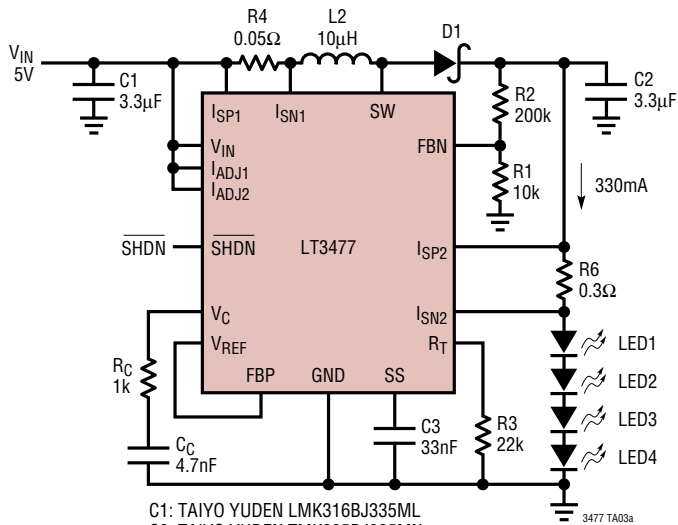


Efficiency



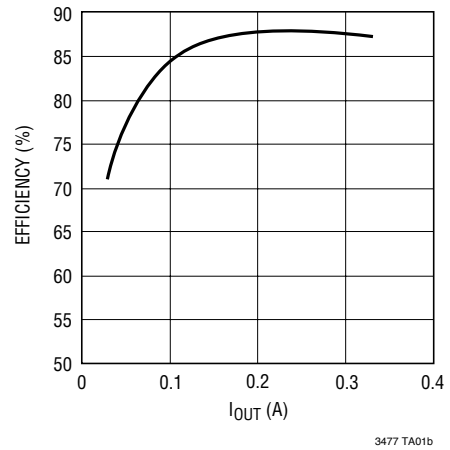
TYPICAL APPLICATIONS

87% Efficient, 4W LED Driver

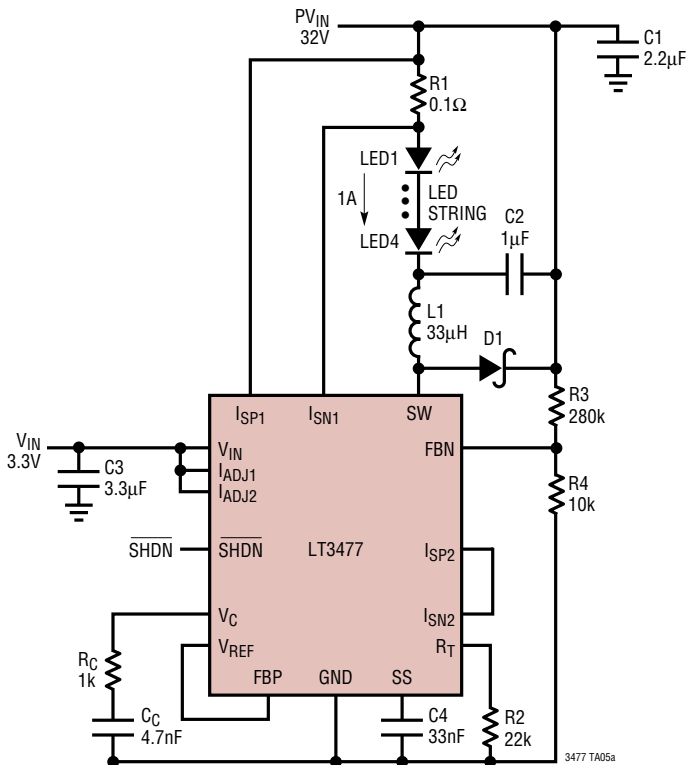


- C1: TAIYO YUDEN LMK316BJ335ML
- C2: TAIYO YUDEN TMK325BJ335MN
- D1: DIODES INC. DFSL120L
- L1: TOKO A915AY-100M

Efficiency

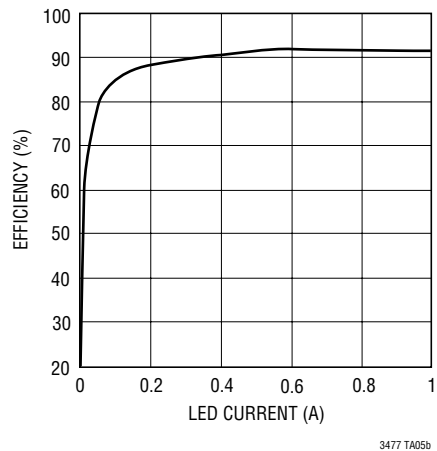


1A Buck Mode High Current LED Driver



- C1: NIPPON UNITED CHEMICON NTS40X5R1H225M
- C2: TAIYO YUDEN GMK316BJ105ML
- C3: TAIYO YUDEN LMK316BJ475
- L1: TOKO A814AY-330M
- D1: DIODES INC DFSL140

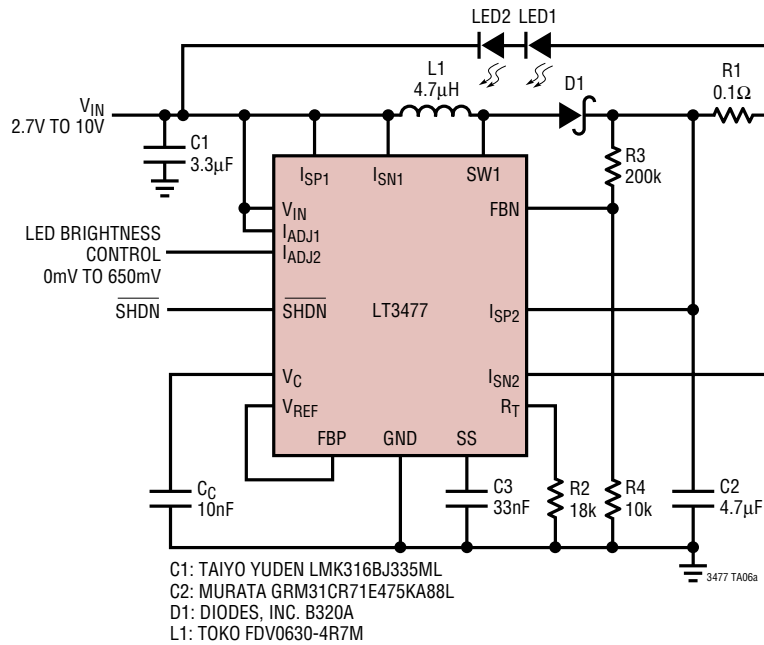
Efficiency



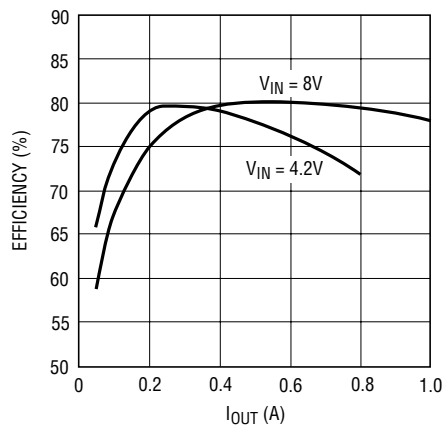


# TYPICAL APPLICATIONS

## Buck-Boost Mode LED Driver



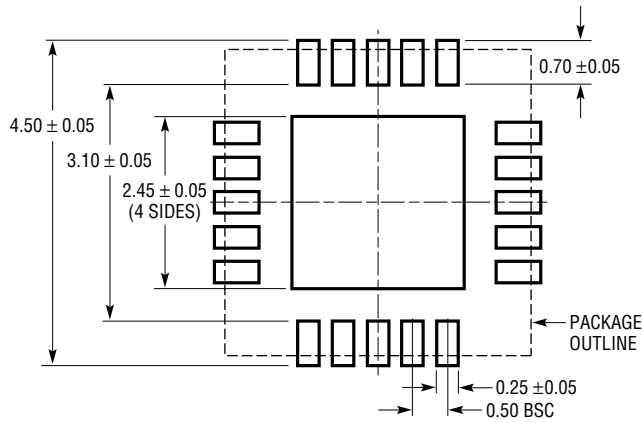
## Efficiency



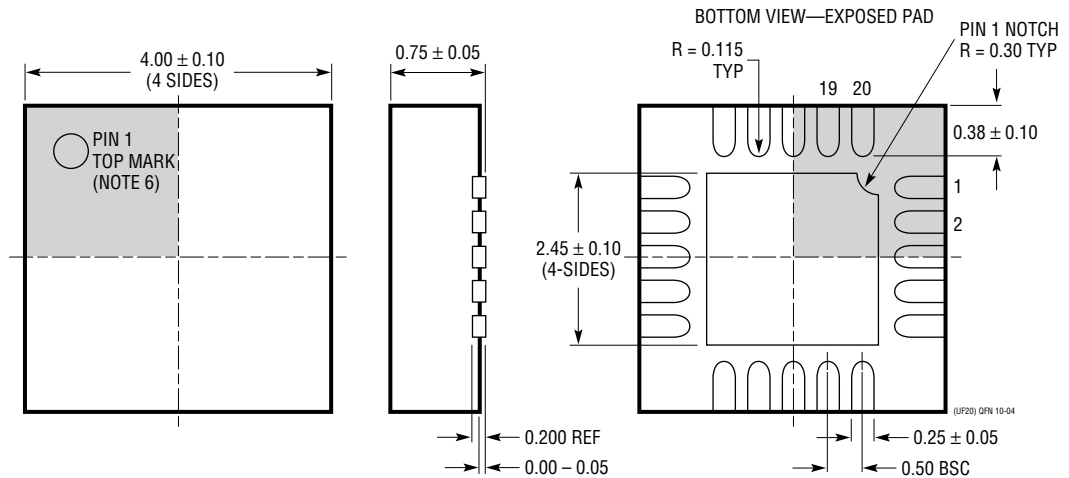
3477 TA06b

# PACKAGE DESCRIPTION

**UF Package**  
**20-Lead Plastic QFN (4mm × 4mm)**  
 (Reference LTC DWG # 05-08-1710)



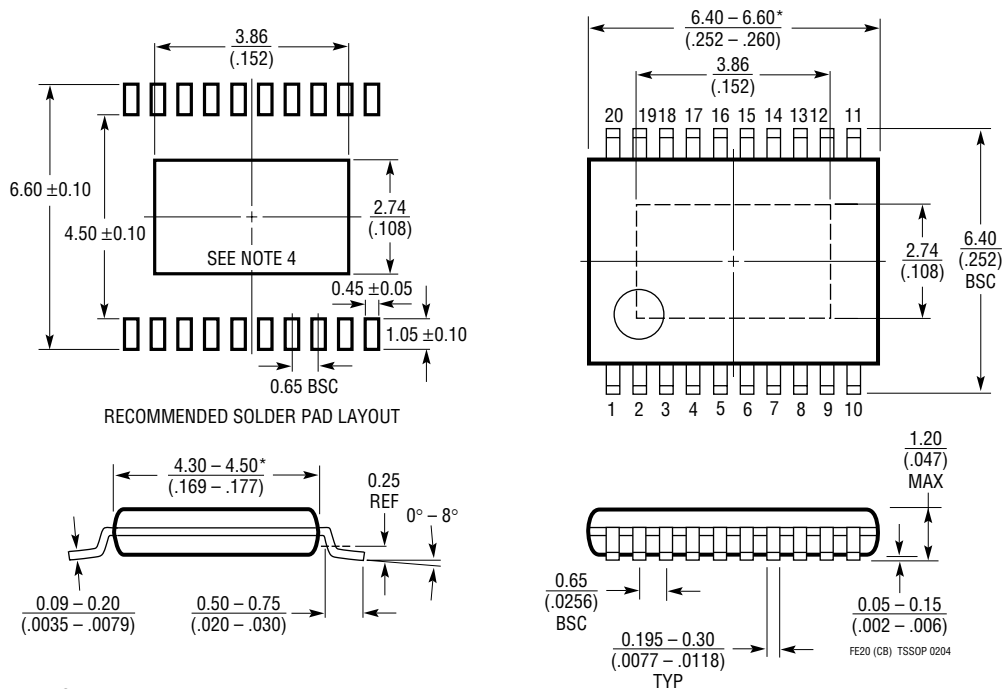
RECOMMENDED SOLDER PAD PITCH AND DIMENSIONS



- NOTE:
1. DRAWING IS PROPOSED TO BE MADE A JEDEC PACKAGE OUTLINE MO-220 VARIATION (WGGD-1)—TO BE APPROVED
  2. DRAWING NOT TO SCALE
  3. ALL DIMENSIONS ARE IN MILLIMETERS
  4. DIMENSIONS OF EXPOSED PAD ON BOTTOM OF PACKAGE DO NOT INCLUDE MOLD FLASH. MOLD FLASH, IF PRESENT, SHALL NOT EXCEED 0.15mm ON ANY SIDE
  5. EXPOSED PAD SHALL BE SOLDER PLATED
  6. SHADED AREA IS ONLY A REFERENCE FOR PIN 1 LOCATION ON THE TOP AND BOTTOM OF PACKAGE

# PACKAGE DESCRIPTION

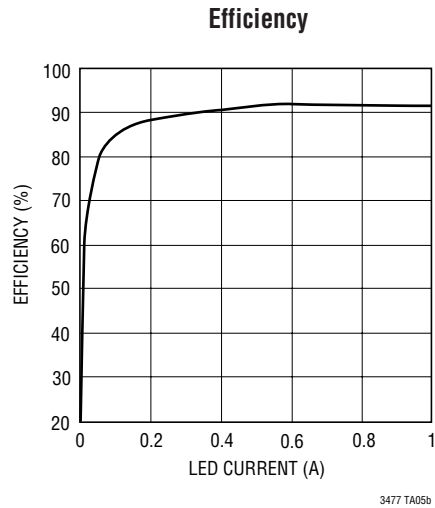
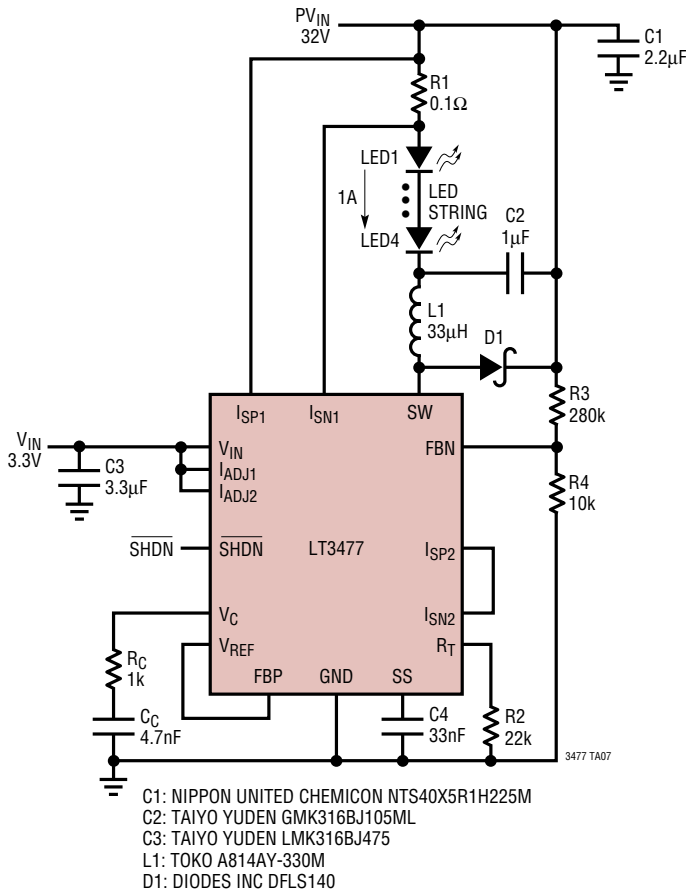
**FE Package**  
**20-Lead Plastic TSSOP (4.4mm)**  
 (Reference LTC DWG # 05-08-1663)  
**Exposed Pad Variation CB**



- NOTE:
1. CONTROLLING DIMENSION: MILLIMETERS
  2. DIMENSIONS ARE IN  $\frac{\text{MILLIMETERS}}{\text{INCHES}}$
  3. DRAWING NOT TO SCALE
  4. RECOMMENDED MINIMUM PCB METAL SIZE FOR EXPOSED PAD ATTACHMENT
- \*DIMENSIONS DO NOT INCLUDE MOLD FLASH. MOLD FLASH SHALL NOT EXCEED 0.150mm (.006") PER SIDE

# TYPICAL APPLICATION

## Buck Mode High Current LED Driver



## RELATED PARTS

PART NUMBER	DESCRIPTION	COMMENTS
LT1618	Constant Current, Constant Voltage 1.4MHz, High Efficiency Boost Regulator	$V_{IN}$ : 1.6V to 18V, $V_{OUT(MAX)}$ = 5.5V, $I_Q$ = 2.5mA, $I_{SD}$ < 1μA, QFN16 Package
LT3436	3A ( $I_{SW}$ ), 800kHz, 34V Step-Up DC/DC Converter	$V_{IN}$ : 3V to 25V, $V_{OUT(MAX)}$ = 34V, $I_Q$ = 0.9mA, $I_{SD}$ < 6μA, TSSOP16E Package
LTC®3453	Synchronous Buck-Boost High Power White LED Driver	$V_{IN}$ : 2.7V to 5.5V, $V_{OUT(MAX)}$ = 5.5V, $I_Q$ = 2.5mA, $I_{SD}$ < 1μA, QFN16 Package
LT3466	Dual Constant Current, 2MHz, High Efficiency White LED Boost Regulator with Integrated Schottky Diode	$V_{IN}$ : 2.7V to 24V, $V_{OUT(MAX)}$ = 40V, $I_Q$ = 5mA, $I_{SD}$ < 16μA, DFN Package
LT3479	3A, 42V Full Featured Boost/Inverter Converter with Soft-Start	$V_{IN}$ : 2.5V to 24V, $V_{OUT(MAX)}$ = 40V, $I_Q$ = 5mA, $I_{SD}$ < 1μA, DFN/TSSOP Packages
LTC3490	Single Cell 350mA, 1.3MHz LED Driver	$V_{IN}$ : 1V to 3.2V, $V_{OUT(MAX)}$ = 4.7V, $I_{SD}$ < 1μA, DFN/SO8 Packages