

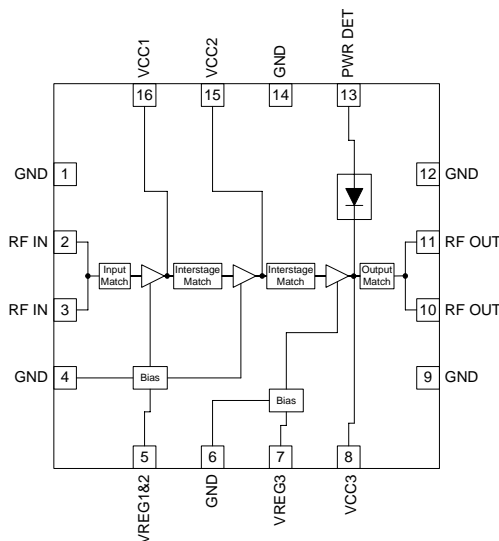


Features

- Single Power Supply 3.0V to 5.0V
- 50Ω Input/Output Impedance
- 30dB Gain (typ. UNII-1 and 2)
- High Linearity
- 4900MHz to 5850MHz Frequency Range

Applications

- IEEE802.11a/n WLAN Applications
- HyperLAN
- Wireless LAN Systems
- Commercial and Consumer Systems
- Portable Battery-Powered Equipment
- Spread-Spectrum and MMDS Systems



Functional Block Diagram

Product Description

The RF5300 is a linear, medium-power, high-efficiency amplifier IC designed specifically for battery-powered WLAN applications such as PC cards, mini PCI, and compact flash applications. The device is manufactured on an advanced Gallium Arsenide Heterojunction Bipolar Transistor (HBT) process, and has been designed for use as the final RF amplifier in 5GHz WLAN and other spread-spectrum transmitters. The device is provided in a 16-pin leadless chip carrier with a backside ground. The RF5300 is designed to maintain linearity over a wide range of supply voltage and power output. The RF5300 is designed to reduce end-product BOM count by integrating all matching circuitry onto the chip.

Ordering Information

RF5300	3V, 5GHz Linear Power Amplifier
RF5300PCBA-41X	Fully Assembled Evaluation Board

Optimum Technology Matching® Applied

- | | | | |
|--|--------------------------------------|-------------------------------------|-----------------------------------|
| <input checked="" type="checkbox"/> GaAs HBT | <input type="checkbox"/> SiGe BiCMOS | <input type="checkbox"/> GaAs pHEMT | <input type="checkbox"/> GaN HEMT |
| <input type="checkbox"/> GaAs MESFET | <input type="checkbox"/> Si BiCMOS | <input type="checkbox"/> Si CMOS | |
| <input type="checkbox"/> InGaP HBT | <input type="checkbox"/> SiGe HBT | <input type="checkbox"/> Si BJT | |

RF MICRO DEVICES®, RFMD®, Optimum Technology Matching®, Enabling Wireless Connectivity™, PowerStar®, POLARIS™ TOTAL RADIO™ and UltimateBlue™ are trademarks of RFMD, LLC. BLUETOOTH is a trademark owned by Bluetooth SIG, Inc., U.S.A. and licensed for use by RFMD. All other trade names, trademarks and registered trademarks are the property of their respective owners. ©2006, RF Micro Devices, Inc.

Absolute Maximum Ratings

Parameter	Rating	Unit
Supply Voltage	-0.5 to +6.0	V _{DC}
Power Control Voltage (V _{REG})	-0.5 to 3.5	V
DC Supply Current	600	mA
Input RF Power	+10	dBm
Operating Ambient Temperature	-40 to +85	°C
Storage Temperature	-40 to +150	°C
Moisture sensitivity	JEDEC Level 3	



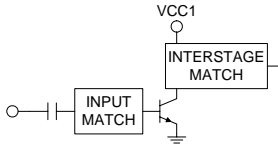
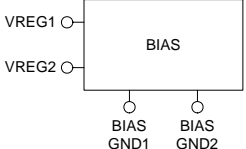
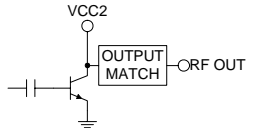
Caution! ESD sensitive device.

Exceeding any one or a combination of the Absolute Maximum Rating conditions may cause permanent damage to the device. Extended application of Absolute Maximum Rating conditions to the device may reduce device reliability. Specified typical performance or functional operation of the device under Absolute Maximum Rating conditions is not implied.

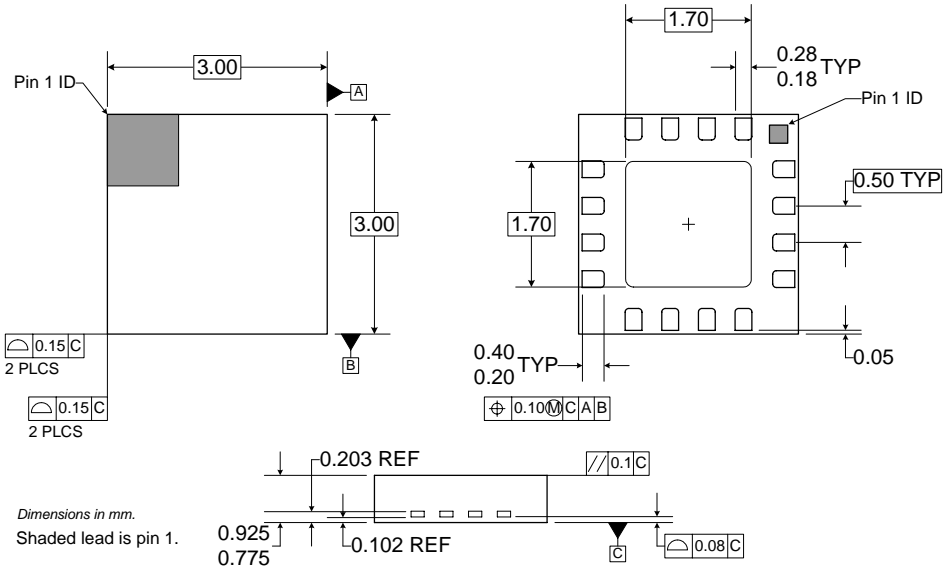
RoHS status based on EU Directive 2002/95/EC (at time of this document revision).

The information in this publication is believed to be accurate and reliable. However, no responsibility is assumed by RF Micro Devices, Inc. ("RFMD") for its use, nor for any infringement of patents, or other rights of third parties, resulting from its use. No license is granted by implication or otherwise under any patent or patent rights of RFMD. RFMD reserves the right to change component circuitry, recommended application circuitry and specifications at any time without prior notice.

Parameter	Specification			Unit	Condition
	Min.	Typ.	Max.		
Overall					T=25 °C, V _{CC} =3.3V, V _{REG} =2.8V, Freq=4900MHz to 5850 MHz
Frequency Range		4900 to 5850		MHz	
Output Power					With 802.11a modulation (54Mbit/s) meeting spectral mask and EVM requirements
V _{CC} =3.3V	16			dBm	F=4900MHz to 5000MHz, F=5700MHz to 5850 MHz
	18			dBm	F=5150MHz to 5350MHz
EVM		2.7		%	
V _{CC} =3.3V	18			dBm	F=4900MHz to 5850 MHz
EVM			4	%	
V _{CC} =5.0V	19	20		dBm	F=4900MHz to 5850 MHz
EVM			4	%	
Gain (RFP _{OUT} =+15 dBm)	26	28		dB	F=4900MHz to 5000MHz
	29	30		dB	F=5150MHz to 5350MHz
	24	26		dB	F=5700MHz to 5850 MHz
Power Detect (P _{detect}) Voltage	0.50	0.65	0.70	V _{DC}	RF P _{OUT} =+11dBm (4900MHz to 5850MHz)
	1.1	1.3	1.5	V _{DC}	RF P _{OUT} =+18dBm (4900MHz to 5850MHz)
	1.3	1.5	1.7	V _{DC}	RF P _{OUT} =+19dBm (4900MHz to 5850MHz)
Power Supply					
Operating Voltage		3.0 to 5.0		V	
Current Consumption		265		mA	P _{OUT} =18dBm, V _{CC} =3.3V, V _{REG} =+2.8V
		195		mA	Idle current, V _{CC} =3.3V, V _{REG} =2.8V
V _{REG} Current (Total)		5	10	mA	V _{CC} =3.3V
		10	15	mA	V _{CC} =5.0V

Pin	Function	Description	Interface Schematic
1	GND	Ground.	
2	RF IN	RF input. Input is matched to 50Ω and DC block is provided internally.	
3	RFIN	Same as pin 2.	See pin 2.
4	GND	Ground.	
5	VREG1&2	First and second stage input bias. This pin requires a regulated supply to maintain nominal bias current.	
6	VREG3/ GND	Ground for third stage bias circuit. Attach to RF ground approximately 100mils to ground from package.	See pin 5.
7	VREG3	Third stage input bias. This pin requires a regulated supply to maintain a nominal bias current.	
8	VCC3	Third stage supply bias. This pin is sensitive to bypass capacitors which should be placed approximately 100mils from package and resonate 5GHz to ground.	
9	GND	Ground.	
10	RF OUT	RF output. Output is matched to 50Ω and DC block is provided.	
11	RF OUT	Same as pin 10.	See pin 10.
12	GND	Ground.	
13	PWR DET	Provides an output voltage proportional to the RF level.	
14	GND	Ground.	
15	VCC2	Supply voltage for the second stage. Bypass capacitor is needed to provide isolation from VCC1 and VCC3.	
16	VCC1	Supply voltage for the first stage.	
Pkg Base	GND	Ground connection. The backside of the package should be connected to the ground plane through a short path (i.e., vias under the device will be required).	

Package Drawing



Theory of Operation

The RF5300 is a three-stage device with a nominal gain of 28dB to 30dB in the 4.9GHz to 5.850GHz ISM band. The RF5300 is designed primarily for IEEE802.11a/n WLAN applications where the available supply voltage and current are limited. This amplifier will operate to (and below) the lowest expected voltage made available by a typical PCMCIA slot in a laptop PC, and will maintain required linearity at decreased supply voltages.

The RF5300 requires only a single positive supply of 3.0V nominal (or greater) to operate to full specifications. Power control is provided through two bias control input pins (VREG1, VREG2, and VREG3), but in most applications these are tied together and used as a single control input.

There is no external matching required on the input and output of the part, thus allowing minimal bill of material (BOM) parts count in end applications. Both the input and the output of the device are DC-blocked.

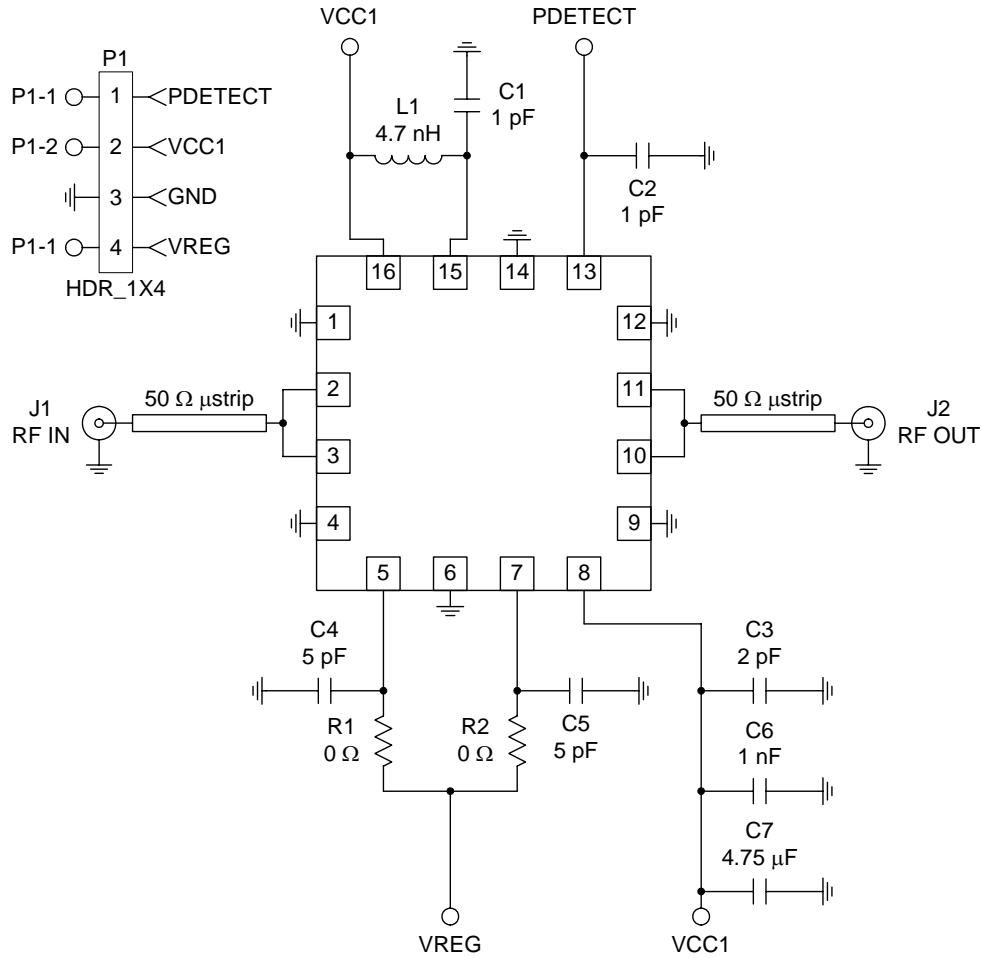
For best results, the PA circuit layout from the evaluation board should be copied as closely as possible, particularly the ground layout and ground vias. Other configurations may also work, but the design process is much easier and quicker if the layout is copied from the RF5300 evaluation board. Gerber files of our designs are available on request.

The RF5300 is not a difficult part to implement, but care in circuit layout and component selection is always advisable when designing circuits to operate at 5GHz.

It is important to isolate VCC1 from other RF and low-frequency bypass capacitors on this supply line. This can be accomplished using a suitably-long transmission line which is RF shorted on the other end as described above. Ideally the length of this line will be a quarter wavelength, but it only needs to be long enough so that the effects of other supply bypass capacitors on the VCC1 line are minimized. If board space is a concern, this isolation can also be accomplished with an RF choke inductor or ferrite bead.

The RF5300 has primarily been characterized with a voltage on VREG1, VREG2, and VREG3 of $2.8V_{DC}$. However, the RF5300 will operate from a wide range of control voltages. If you prefer to use a control voltage that is significantly different than $2.8V_{DC}$, contact RFMD Sales or Applications Engineering for additional data and guidance.

Evaluation Board Schematic



Evaluation Board Layout

Board Size 1.2" x 1.2"

Board Thickness 0.032", Board Material FR-4, Multi-Layer

