



Micro Commercial Components

Micro Commercial Components
20736 Marilla Street Chatsworth
CA 91311
Phone: (818) 701-4933
Fax: (818) 701-4939

2SB1197
2SB1197-P
2SB1197-Q
2SB1197-R

**PNP Silicon
Epitaxial Transistors**

Features

- Small Package
- Mounting: any position
- ROHS Compliant
- Case Material: Molded Plastic. UL Flammability Classification Rating 94V-0

Maximum Ratings @ $T_a = 25^\circ\text{C}$ (unless otherwise noted)

Symbol	Parameter	Value	Unit
I_C	Collector Current	-0.8	A
P_D	Total Device Dissipation	0.2	W
T_J	Junction Temperature	150	$^\circ\text{C}$
T_{STG}	Storage Temperature Range	-55 to +150	$^\circ\text{C}$

Electrical Characteristics @ 25°C Unless Otherwise Specified

Symbol	Parameter	Min	Max	Units
--------	-----------	-----	-----	-------

OFF CHARACTERISTICS

$V_{(BR)CEO}$	Collector-Emitter Breakdown Voltage ($I_C = -1\text{mA}, I_E = 0$)	-32		V
$V_{(BR)CBO}$	Collector-Base Breakdown Voltage ($I_C = -50\mu\text{A}, I_E = 0$)	-40		V
$V_{(BR)EBO}$	Collector-Base Breakdown Voltage ($I_E = -50\mu\text{A}, I_C = 0$)	-5.0		V
I_{CBO}	Collector-Base Cutoff Current ($V_{CB} = -20\text{Vdc}, I_E = 0$)		-0.5	μA
I_{EBO}	Emitter-Base Cutoff Current ($V_{EB} = -4.0\text{Vdc}, I_C = 0$)		-0.5	μA

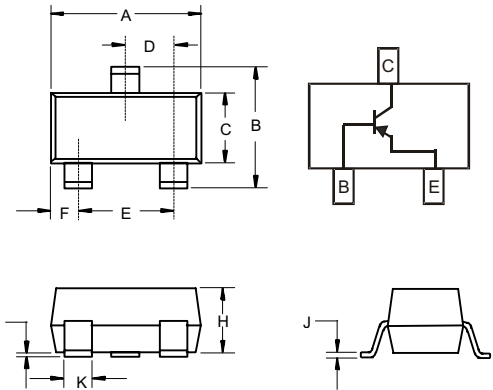
ON CHARACTERISTICS

h_{FE}	DC Current Gain ($I_C = -100\text{mA}, V_{CE} = -3.0\text{Vdc}$)	82	390	
$V_{CE(sat)}$	Collector-Emitter Saturation Voltage ($I_C = -500\text{mA}, I_E = -50\text{mA}$)		-0.5	Vdc
f_T	Transition Frequency ($V_{CE} = -5\text{Vdc}, I_C = -50\text{mA}, f = 100\text{MHZ}$)	50		MHZ

CLASSIFICATION OF h_{FE}

Rank	P	Q	R
Range	82-180	120-270	180-390
Marking	AHP	AHQ	AHR

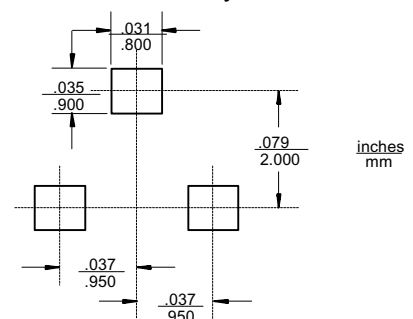
SOT-23



DIMENSIONS

DIM	INCHES		MM		NOTE
	MIN	MAX	MIN	MAX	
A	.110	.120	2.80	3.04	
B	.083	.098	2.10	2.64	
C	.047	.055	1.20	1.40	
D	.035	.041	.89	1.03	
E	.070	.081	1.78	2.05	
F	.018	.024	.45	.60	
G	.0005	.0039	.013	.100	
H	.035	.044	.89	1.12	
J	.003	.007	.085	.180	
K	.015	.020	.37	.51	

Suggested Solder Pad Layout





Micro Commercial Components

*****IMPORTANT NOTICE*****

Micro Commercial Components Corp. reserves the right to make changes without further notice to any product herein to make corrections, modifications, enhancements, improvements, or other changes. *Micro Commercial Components Corp.* does not assume any liability arising out of the application or use of any product described herein; neither does it convey any license under its patent rights, nor the rights of others. The user of products in such applications shall assume all risks of such use and will agree to hold *Micro Commercial Components Corp.* and all the companies whose products are represented on our website, harmless against all damages.

*****APPLICATIONS DISCLAIMER*****

Products offer by *Micro Commercial Components Corp.* are not intended for use in Medical, Aerospace or Military Applications.