

gm5766

Dual Input LCD Controller for UXGA Applications

APPLICATION

- Low cost UXGA LCD monitors
- Low end MFM and TV

FEATURES

- Programmable Zoom and shrink scaling
- Triple-channel (8-bit) ADC (205MHz) and PLL
- Ultra-Reliable DVI receiver (165MHz) – DVI 1.0-compliant
- ITU656 video input port with VCR trick mode support
- Advanced Active Color Management (ACM-3D™) achieving six-axis color controls
- Adaptive Contrast and Color (ACC™)
- Dual channel LVDS/RSDS transmitter
- Intel X86 compatible microcontroller with external SPI ROM interface
- Versatile OSD engine meets PC OEM specs
- All system clocks synthesized from a single external crystal
- Digital color controls and sRGB compliant
- 10-bit Panel gamma correction and high quality dithering for 8-bit and 6-bit panel interface
- DDC controller for host interface purposes
- Low bandwidth ADC for keypad interface and cable detection
- Four PWM signals for backlight, audio volume control, etc.
- Internal test pattern generator for factory test purposes
- Energy Spectrum Management® (ESM®)

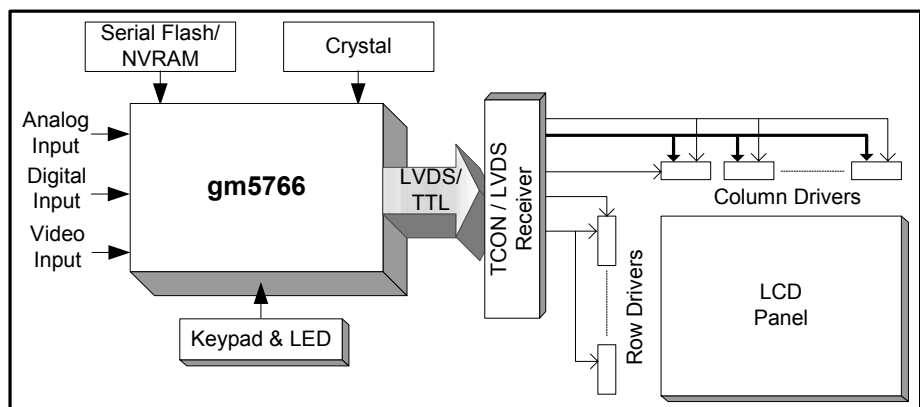
PACKAGE & POWER SUPPLY

- 3.3V IO and 1.8V CORE
- 128-pin PQFP

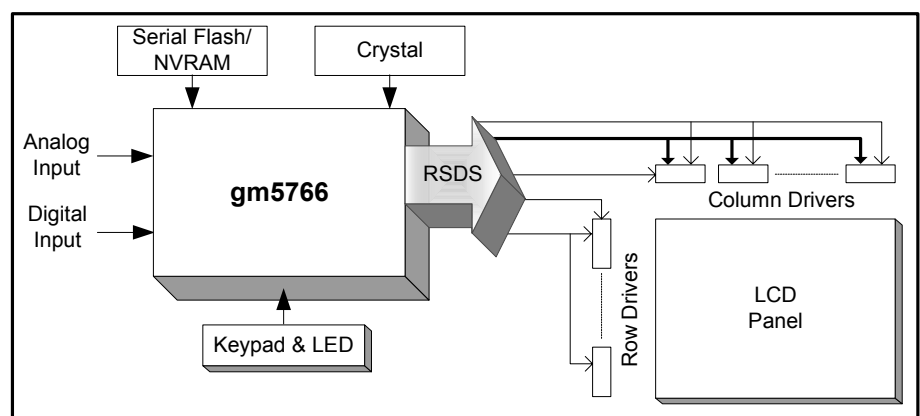
DESCRIPTION

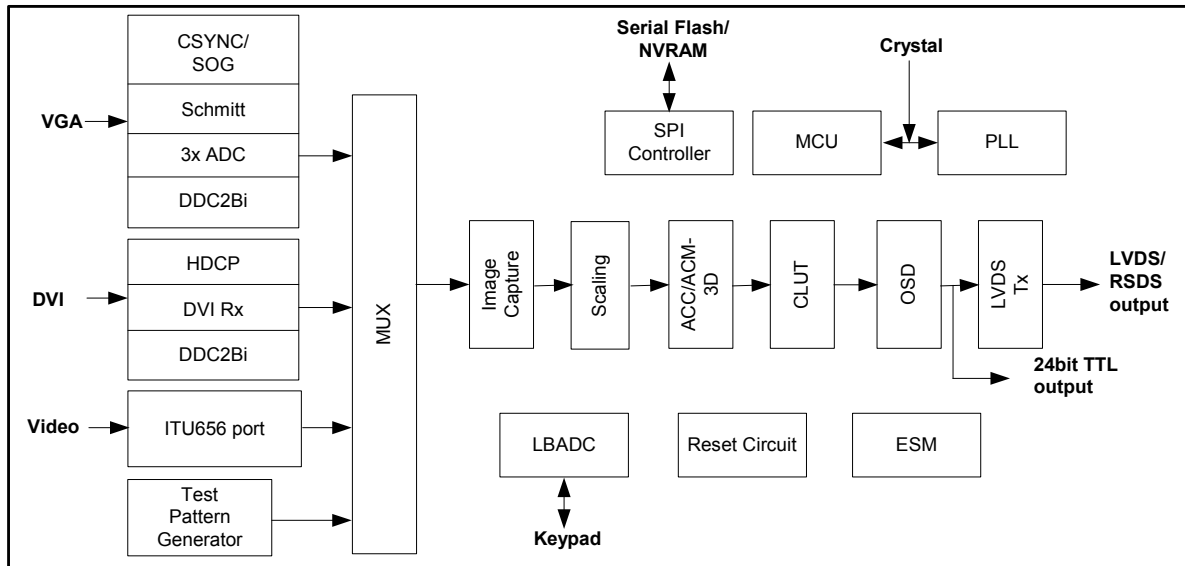
Genesis gm5766 is an all-in-one LCD monitor controller with analog (RGB), DVI and video inputs, supporting resolutions up to UXGA in a very low pin count package. The gm5766 leverages Genesis patented advanced image-processing technology, as well as a proven integrated ADC/PLL and an Ultra-Reliable DVI® compliant digital receiver to deliver a high-quality solution for mainstream dual input monitors. The gm5766 also includes an ITU656 video input port with color space converter that makes it an attractive solution for low cost MFM and TV applications. The output section contains a 24-bit TTL output interface and a dual channel LVDS/RSDS transmitter for direct interfacing of commercially available LVDS and RSDS LCD panel modules. In addition, gm5766 includes an integrated X86 OCM with SPI compatible interface, advanced color control features, a multicolor proportional font OSD engine, and a number of system I/O components. Along with the high quality and reliability, gm5766 also provides a very low cost system design by reducing the number of system components and the capability of deploying on a small size two layer PCB.

gm5766 SYSTEM DESIGN: CONVENTIONAL INTERFACE



gm5766 SYSTEM DESIGN: ON-PANEL INTERFACE



gm5766 FUNCTIONAL BLOCK DIAGRAM

Note: ITU656 video input port is available only with LVDS and TTL panel interface and is not available for RSDS application.

gm5766 FEATURE DESCRIPTIONS**INTELLIGENT IMAGE PROCESSING™**

- Programmable coefficients for user sharpness control
- Real Recovery™ function provides full color recovery image for refresh rates higher than those supported by the panel

ANALOG RGB INPUT

- Supports analog signal frequency up to 205MHz
- Composite-sync and Sync-on-Green (SOG) support
- Input format detection and auto-alignment
- Instant Auto™ for automatic phase and clock adjustment

ON-CHIP MICROCONTROLLER

- High-performance X86 MCU with on-chip RAM and ROM
- Unified memory architecture simplifies chip programming
- UART link for ISP and factory setting purposes
- Two DDC2Bi with DMA buffer to internal RAM
- Lower clock speed for low power mode (50mW)
- JTAG support for firmware debugging

HIGHLY INTEGRATED SYSTEM-ON-A-CHIP

- 5-Volt tolerant inputs
- Two Layer PCB support
- On-chip reset circuit to eliminate external reset IC
- Integrated Schmitt trigger for HSYNC and VSYNC
- General-purpose Input-Outputs and low bandwidth ADC inputs for IO system interface

ULTRA-RELIABLE DVI INPUT

- Operating speed 165 MHz (up to UXGA 60Hz)
- Direct connect to all DVI-compliant digital transmitters
- High-bandwidth Digital Content Protection (HDCP)

ON-CHIP OSD CONTROLLER

- On-chip RAM for high-quality programmable menus
- 1, 2 and 4-bit per pixel character cells with proportional fonts
- Horizontal and vertical stretch of OSD menus
- Blinking, transparency and blending
- Supports two independent OSD menus

LVDS/RSDS TRANSMITTERS

- Double pixel up to SXGA 75Hz output
- Support for 8/6-bit LVDS panels and 6-bit RSDS panels (with high-quality dithering)
- Pin swap, odd / even swap and red / blue group swap of RGB outputs for flexibility in board layout
- Energy Spectrum Management and Programmable signal amplitude for EMI reduction purpose

ADVANCED COLOR CONTROLS

- TV style color controls including hue and saturation
- Advanced Active Color Management (ACM-3D) provides six-axis color controls, flesh-tone adjustment, gray guarding and image enhancement
- Multiple-bin ACC extends the dynamic range of the display