

Coaxial Switch

50Ω SPDT Pin Diode, TTL Driver 10 to 3000 MHz

ZSDR-230+ ZSDR-230



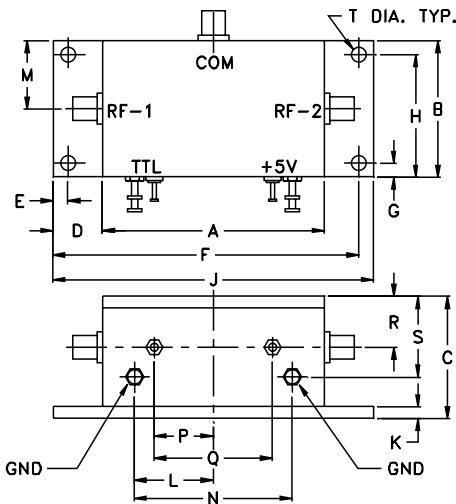
Maximum Ratings

Operating Temperature	-55°C to 100°C
Storage Temperature	-55°C to 100°C
Power	L(+20 dBm), M(+28 dBm), U(+30 dBm)
Supply V	+6V max.

Coaxial/Pin Connections

RF IN	COM
RF OUT 1	RF-1
RF OUT 2	RF-2
TTL-IN	TTL
+5V	+5V

Outline Drawing



Outline Dimensions (inch)

A	B	C	D	E	F	G	H	J			
2.25	1.38	1.24	.50	.150	3.100	.138	1.238	3.25			
57.15	35.05	31.50	12.70	3.81	78.74	3.51	31.45	82.55			
K	L	M	N	P	Q	R	S	T	wt		
.12	.80	.69	1.60	.60	1.200	.52	.82	.150	grams		
3.05	20.32	17.53	40.64	15.24	30.48	13.21	20.83	3.81	80.0		

Features

- wideband, 10 to 3000 MHz
- high isolation, 40 dB typ.

Applications

- test set-ups
- antenna switching
- satellite communications

Switch Electrical Specifications

MODEL NO.	FREQ. (MHz)		INSERTION LOSS (dB)				IN-OUT ISOLATION (dB)							
	f_L	f_U	Low band LW		Upper band U		Frequency Band L			Frequency Band M			Frequency Band U	
ZSDR-230(+)	10	3000	Typ.	Max.	Typ.	Max.	Typ.	Min.	Typ.	Min.	Typ.	Min.	Typ.	Min.
			1.3	1.9	1.8	2.7	60	40	40	28	35	22		

L= low range(f_L to 10 f_L)

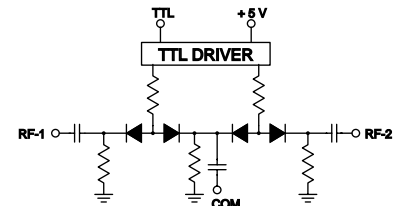
M=mid range(10 f_L to $f_U/2$)
LW=low band (f_L to $f_L/2$)

U=upper range ($f_U/2$ to f_U)

Additional Specifications

VSWR ("ON" STATE)	1.3 Typ., 1.9 Max.
SWITCHING TIME (μ SEC)	2.0 Typ., 4.0 Max.
SUPPLY VOLTAGE	+5V
SUPPLY CURRENT	10mA Max.
TTL INPUT HIGH THRESHOLD	2V Min.
TTL INPUT LOW THRESHOLD	0.8V Max.
1 dB COMPRESSION	10 to 100 MHz Above 100 MHz
	+6 increasing to +19 dBm +19 dBm min.

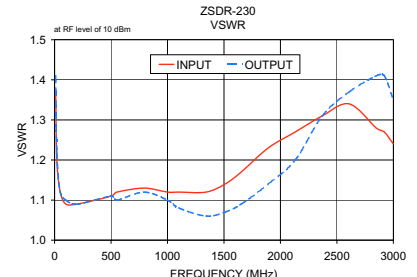
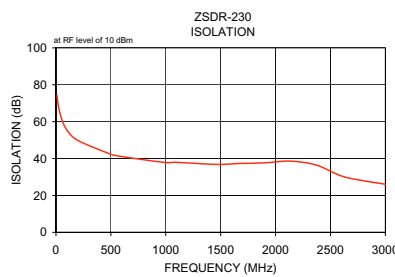
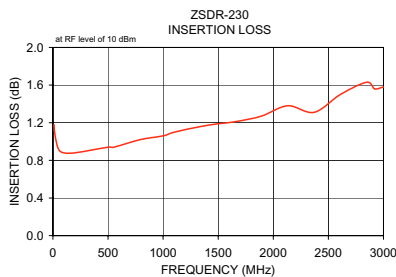
Control Logic



TTL LOGIC	RF-1/OFF	RF-2/ON
TTL 1:	RF-1/OFF	RF-2/ON
TTL 0:	RF-1/ON	RF-2/OFF

Typical Performance Data

Freq. (MHz)	ON (TTL LOW @ 0V) IN-OUT		INSERTION LOSS (dB)				OFF (TTL HIGH @ 5V) IN-OUT		ISOLATION (dB)		VSWR	
	\bar{x}	σ	\bar{x}	σ	AMP.	UNBAL	\bar{x}	σ	DELTA	IN	OUT (RF 1)	
10.00	1.18	0.04	0.03	0.02	74.26	1.60	1.14	0.39	1.37	1.41	31.26	
20.00	1.06	0.05	0.05	0.05	69.20	1.46	1.45	1.51	1.20	1.22	30.31	
50.00	0.92	0.03	0.02	0.01	61.84	1.14	1.60	1.01	1.12	1.12	30.07	
100.00	0.88	0.03	0.02	0.01	55.48	0.61	0.75	0.63	1.09	1.10	30.07	
200.00	0.88	0.02	0.02	0.01	49.81	0.72	0.64	0.70	1.09	1.09	30.49	
500.00	0.94	0.02	0.02	0.01	42.32	0.56	0.53	0.77	1.11	1.11	29.97	
552.91	0.94	0.02	0.01	0.01	41.56	0.50	0.61	0.74	1.12	1.10	28.88	
792.00	1.02	0.01	0.01	0.01	39.41	0.46	0.68	0.76	1.13	1.12	26.27	
1000.00	1.06	0.01	0.01	0.01	37.86	0.40	0.67	0.71	1.12	1.10	24.84	
1102.82	1.10	0.01	0.01	0.01	37.96	0.40	0.70	0.73	1.12	1.08	22.83	
1341.91	1.16	0.01	0.02	0.01	37.13	0.42	0.94	0.69	1.12	1.06	21.66	
1509.27	1.19	0.02	0.02	0.01	36.81	0.45	0.96	0.75	1.14	1.07	20.69	
1652.73	1.21	0.01	0.02	0.01	37.32	0.53	0.89	0.79	1.17	1.09	19.92	
1891.82	1.27	0.02	0.02	0.02	37.64	0.67	1.82	0.71	1.23	1.14	19.28	
2130.91	1.38	0.02	0.02	0.03	38.60	1.13	0.82	0.94	1.27	1.20	24.87	
2370.00	1.31	0.02	0.03	0.03	36.48	3.02	2.00	1.04	1.31	1.31	19.46	
2609.09	1.50	0.04	0.06	0.03	30.37	2.46	0.49	0.56	1.34	1.37	11.80	
2848.18	1.63	0.06	0.04	0.02	27.51	2.19	0.30	0.21	1.28	1.41	10.49	
2919.91	1.56	0.04	0.03	0.02	26.87	2.12	0.56	0.28	1.27	1.41	9.46	
3000.00	1.58	0.04	0.05	0.03	26.08	2.02	0.86	0.48	1.24	1.35	11.35	



P.O. Box 350166, Brooklyn, New York 11235-0003 (718) 934-4500 Fax (718) 332-4661 For detailed performance specs & shopping online see Mini-Circuits web site



The Design Engineers Search Engine Provides ACTUAL Data Instantly From MINI-CIRCUITS At: www.minicircuits.com

RF/IF MICROWAVE COMPONENTS

REV. A
M105327
ZSDR-230
WP/CP
070305