

LMC7215/LMC7225

Micro-Power, Rail-to-Rail CMOS Comparators with Open-Drain/Push-Pull Outputs and TinyPak™ Package

General Description

The LMC7215/LMC7225 are ultra low power comparators with a maximum of 1 μA power supply current. They are designed to operate over a wide range of supply voltages, from 2V to 8V.

The LMC7215/LMC7225 have a greater than rail-to-rail common mode voltage range. This is a real advantage in single supply applications.

The LMC7215 features a push-pull output stage. This feature allows operation with absolute minimum amount of power consumption when driving any load.

The LMC7225 features an open drain output. By connecting an external resistor, the output of the comparator can be used as a level shifter to any desired voltage to as high as 15V.

The LMC7215/LMC7225 are designed for systems where low power consumption is the critical parameter.

Guaranteed operation over the full supply voltage range of 2.7V to 5V and rail-to-rail performance makes this comparator ideal for battery-powered applications.

Features

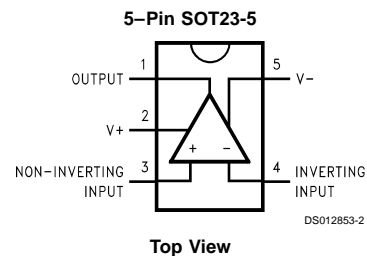
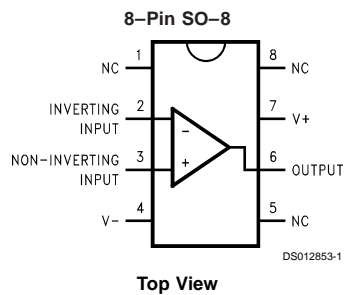
(Typical unless otherwise noted)

- Ultra low power consumption 0.7 μA
- Wide range of supply voltages 2V to 8V
- Input common-mode range beyond V_+ and V_-
- Open collector and push-pull output
- High output current drive: (@ $V_S = 5\text{V}$) 45 mA
- Propagation delay (@ $V_S = 5\text{V}$, 10 mV overdrive) 25 μs
- Tiny SOT23-5 package
- Latch-up resistance >300 mA

Applications

- Laptop computers
- Mobile phones
- Metering systems
- Hand-held electronics
- RC timers
- Alarm and monitoring circuits
- Window comparators, multivibrators

Connection Diagrams



TinyPak™ is a trademark of National Semiconductor Corporation.

Ordering Information

Package	Ordering Information	NSC Drawing Number	Package Marking	Supplied As
5-Pin SOT 23-5	LMC7215IM5	MA05A	C02B	1k Tape and Reel
5-Pin SOT 23-5	LMC7225IM5	MA05A	C03B	1k Tape and Reel
5-Pin SOT 23-5	LMC7215IM5X	MA05A	C02B	3k Tape and Reel
5-Pin SOT 23-5	LMC7225IM5X	MA05A	C03B	3k Tape and Reel
8-Pin SO-8	LMC7215IM	M08A	LMC7215IM	Rails
8-Pin SO-8	LMC7225IM	M08A	LMC7225IM	Rails
8-Pin SO-8	LMC7215IMX	M08A	LMC7215IM	2.5k Tape and Reel
8-Pin SO-8	LMC7225IMX	M08A	LMC7225IM	2.5k Tape and Reel

Absolute Maximum Ratings (Note 1)

If Military/Aerospace specified devices are required, please contact the National Semiconductor Sales Office/Distributors for availability and specifications.

ESD Tolerance (Note 2)	2 kV
Differential Input Voltage	(V _{CC})+0.3V to (-V _{CC})-0.3V
Voltage at Input/Output Pin	(V _{CC})+0.3V to (-V _{CC})-0.3V
Supply Voltage (V ⁺ -V ⁻)	10V
Current at Input Pin	±5 mA
Current at Output Pin (Note 3)	±30 mA
Current at Power Supply Pin	40 mA
Lead Temperature	

(soldering, 10 sec)	260°C
Storage Temperature Range	-65°C to +150°C
Junction Temperature (Note 4)	150°C

Operating Ratings (Note 1)

Supply Voltage	2V ≤ V _{CC} ≤ 8V
Junction Temperature Range	-40°C ≤ T _J ≤ +85°C
LMC7215IM, LMC7225IM	
Thermal Resistance (θ _{JA})	
M Package, 8-Pin Surface Mount	165°C/W
SOT23-5 Package	325°C/W

2.7V to 5V Electrical Characteristics

Unless otherwise specified, all limits guaranteed for T_J = 25°C, V⁺ = 2.7V to 5V, V⁻ = 0V, V_{CM} = V_O = V_O/2. **Boldface** limits apply at the temperature extremes.

Symbol	Parameter	Conditions	Typ (Note 5)	LMC7215 Limit (Note 6)	LMC7225 Limit (Note 6)	Units
V _{OS}	Input Offset Voltage		1	6	6	mV
				8	8	max
TCV _{OS}	Input Offset Voltage Average Drift		2			µV/°C
I _B	Input Current		5			fA
I _{OS}	Input Offset Current		1			fA
CMRR	Common Mode Rejection Ratio	(Note 7)	80	60	60	dB min
PSRR	Power Supply Rejection Ratio	V ⁺ = 2.2V to 8V	90	60	60	dB min
A _V	Voltage Gain		140			dB
CMVR	Input Common-Mode Voltage Range	V ⁺ = 2.7V CMRR > 50 dB	3.0	2.9	2.9	V min
		V ⁺ = 2.7V CMRR > 50 dB	-0.2	0.0	0.0	V max
		V ⁺ = 5.0V CMRR > 50 dB	5.3	5.2	5.2	V min
		V ⁺ = 5.0V CMRR > 50 dB	-0.3	-0.2	-0.2	V max
					0.0	0.0
V _{OH}	Output Voltage High	V ⁺ = 2.2V I _{OH} = 1.5 mA	2.05	1.8	NA	V min
		V ⁺ = 2.7V I _{OH} = 2.0 mA	2.05	2.3	NA	V min
		V ⁺ = 5.0V I _{OH} = 4.0 mA	4.8	4.6	NA	V min
					4.5	
V _{OL}	Output Voltage Low	V ⁺ = 2.2V I _{OH} = 1.5 mA	0.17	0.4	0.4	V max
		V ⁺ = 2.7V I _{OH} = 2.0 mA	0.17	0.4	0.4	V max
		V ⁺ = 5.0V I _{OH} = 4.0 mA	0.2	0.4	0.4	V max
					0.5	0.5
I _{SC+}	Output Short Circuit Current (Note 10)	V ⁺ = 2.7V, Sourcing	15		NA	mA
		V ⁺ = 5.0V, Sourcing	50		NA	mA
I _{SC-}	Output Short Circuit	V ⁺ = 2.7V, Sinking	12			mA

2.7V to 5V Electrical Characteristics (Continued)

Unless otherwise specified, all limits guaranteed for $T_J = 25^\circ\text{C}$, $V^+ = 2.7\text{V}$ to 5V , $V^- = 0\text{V}$, $V_{CM} = V_O = V^+/2$. **Boldface** limits apply at the temperature extremes.

Symbol	Parameter	Conditions	Typ (Note 5)	LMC7215 Limit (Note 6)	LMC7225 Limit (Note 6)	Units
	Current (Note 10)	$V^+ = 5.0\text{V}$, Sinking	30			mA
$I_{Leakage}$	Output Leakage Current	$V^+ = 2.2\text{V}$ $V_{IN+} = 0.1\text{V}$, $V_{IN-} = 0\text{V}$, $V_{OUT} = 15\text{V}$	0.01	NA	500	nA max
I_S	Supply Current	$V^+ = 5.0\text{V}$ $V_{IN+} = 5\text{V}$, $V_{IN-} = 0\text{V}$	0.7	1 1.2	1 1.2	μA max

AC Electrical Characteristics

Unless otherwise specified, $T_J = 25^\circ\text{C}$, $V^+ = 5\text{V}$, $V^- = 0\text{V}$, $V_{CM} = V^+/2$

Symbol	Parameter	Conditions	LMC7215 Typ (Note 5)	LMC7225 Typ (Notes 5, 8)	Units	
t_{rise}	Rise Time	Overdrive = 10 mV (Note 8)	1	12.2	μs	
t_{fall}	Fall Time	Overdrive = 10 mV (Note 8)	0.4	0.35	μs	
$t_{P\text{-}HL}$	Propagation Delay (High to Low)	(Notes 8, 9)	Overdrive = 10 mV	24	24	μs
			Overdrive = 100 mV	12	12	
		$V^+ = 2.7\text{V}$ (Notes 8, 9)	Overdrive = 10 mV	17	17	μs
			Overdrive = 100 mV	11	11	
$t_{P\text{-}LH}$	Propagation Delay (Low to High)	(Notes 8, 9)	Overdrive = 10 mV	24	29	μs
			Overdrive = 100 mV	12	17	
		$V^+ = 2.7\text{V}$ (Notes 8, 9)	Overdrive = 10 mV	17	22	μs
			Overdrive = 100 mV	11	16	

Note 1: Absolute Maximum Ratings indicate limits beyond which damage to the device may occur. Operating Ratings indicate conditions for which the device is intended to be functional, but specific performance is not guaranteed. For guaranteed specifications and the test conditions, see the Electrical Characteristics.

Note 2: Human body model, 1.5 k Ω in series with 100 pF.

Note 3: Applies to both single-supply and split-supply operation. Continuous short circuit operation at elevated ambient temperature can result in exceeding the maximum allowed junction temperature of 150°C .

Note 4: The maximum power dissipation is a function of $T_{J(\text{max})}$, θ_{JA} , and T_A . The maximum allowable power dissipation at any ambient temperature is $P_D = (T_{J(\text{max})} - T_A)/\theta_{JA}$. All numbers apply for packages soldered directly into a PC board.

Note 5: Typical values represent the most likely parametric norm.

Note 6: All limits are guaranteed by testing or statistical analysis.

Note 7: CMRR measured at $V_{CM} = 0\text{V}$ to 2.5V and 2.5V to 5V when $V_S = 5\text{V}$, $V_{CM} = 0.2\text{V}$ to 1.35V and 1.35V to 2.7V when $V_S = 2.7\text{V}$. This eliminates units that have large V_{OS} at the V_{CM} extremes and low or opposite V_{OS} at $V_{CM} = V_S/2$.

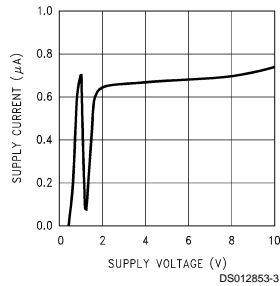
Note 8: All measurements made at 10 kHz. A 100 k Ω pull-up resistor was used when measuring the LMC7225. $C_{LOAD} = 50\text{pF}$ including the test jig and scope probe. The rise times of the LMC7225 are a function of the R-C time constant.

Note 9: Input step voltage for the propagation measurements is 100 mV.

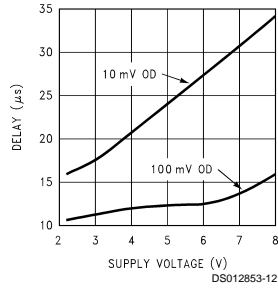
Note 10: Do not short the output of the LMC7225 to voltages greater than 10V or damage may occur.

Typical Performance Characteristics $T_A = 25^\circ\text{C}$ unless otherwise specified

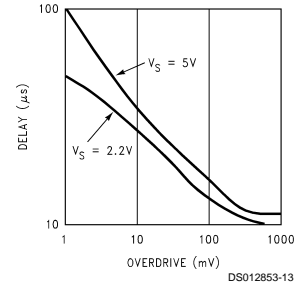
Supply Current vs Supply Voltage



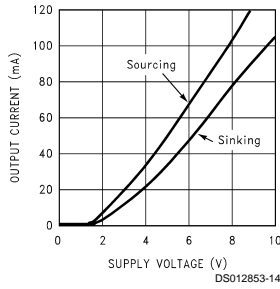
Prop Delay vs V_{Supply}



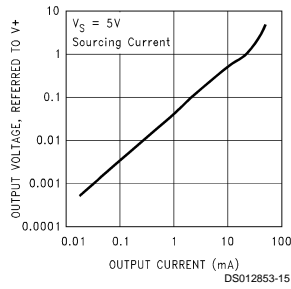
Prop Delay vs Overdrive



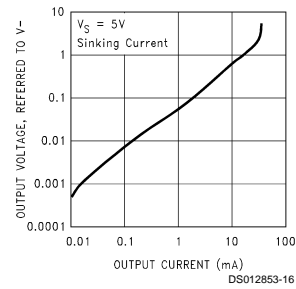
Short Circuit Current vs V_{Supply}



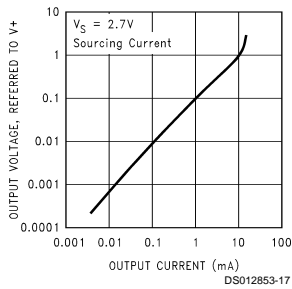
Output Voltage vs Output Current LMC7215



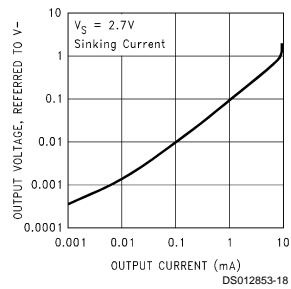
Output Voltage vs Output Current



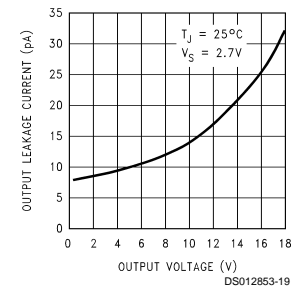
Output Voltage vs Output Current LMC7215



Output Voltage vs Output Current

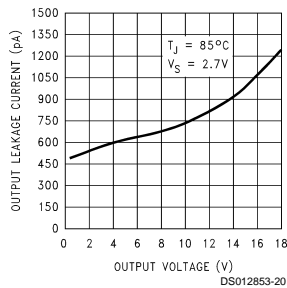


Output Leakage Current vs Output Voltage LMC7225



Typical Performance Characteristics $T_A = 25^\circ\text{C}$ unless otherwise specified (Continued)

Output Leakage Current vs Output Voltage LMC7225



Application Information

RESPONSE TIME

Depending upon the amount of overdrive, the delay will typically be between $10\ \mu\text{s}$ to $200\ \mu\text{s}$. The curve showing delay vs overdrive in the "Typical Characteristics" section shows the delay time when the input is preset with $100\ \text{mV}$ across the inputs and then is driven the other way by $1\ \text{mV}$ to $500\ \text{mV}$.

The transition from high to low or low to high is fast. Typically $1\ \mu\text{s}$ rise and $400\ \text{ns}$ fall.

With a small signal input, the comparators will provide a square wave output from sine wave inputs at frequencies as high as $25\ \text{kHz}$. Figure 1 shows a worst case example where a $\pm 5\ \text{mV}$ sine wave is applied to the input. Note that the output is delayed by almost 180° .

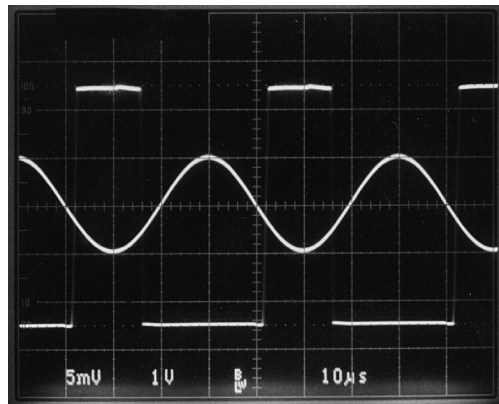


FIGURE 1.

NOISE

Most comparators have rather low gain. This allows the output to spend time between high and low when the input signal changes slowly. The result is the output may oscillate between high and low when the differential input is near zero.

The exceptionally high gain of these comparators, $10,000\text{V}/\text{mV}$, eliminates this problem. Less than $1\ \mu\text{V}$ of change on the input will drive the output from one rail to the other rail.

If the input signal is noisy, the output cannot ignore the noise unless some hysteresis is provided by positive feedback.

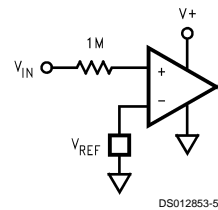


FIGURE 2.

INPUT VOLTAGE RANGE

The LMC7215/25 have input voltage ranges that are larger than the supply voltage guarantees that signals from other parts of the system cannot overdrive the inputs. This allows sensing supply current by connecting one input directly to the V^+ line and the other to the other side of a current sense resistor. The same is true if the sense resistor is in the ground return line.

Sensing supply voltage is also easy by connecting one input directly to the supply.

The inputs of these comparators are protected by diodes to both supplies. This protects the inputs from both ESD as well as signals that greatly exceed the supply voltages. As a result, current will flow through these forward biased diodes whenever the input voltage is more than a few hundred millivolts larger than the supplies. Until this occurs, there is essentially no input current. As a result, placing a large resistor in series with any input that may be exposed to large voltages, will limit the input current but have no other noticeable effect.

If the input current is limited to less than $5\ \text{mA}$ by a series resistor, (see Figure 2), a threshold or zero crossing detector, that works with inputs from as low as a few millivolts to as high as $5,000\text{V}$, is made with only one resistor and the comparator.

INPUTS

As mentioned above, these comparators have near zero input current. This allows very high resistance circuits to be used without any concern for matching input resistances.

Application Information (Continued)

This also allows the use of very small capacitors in R-C type timing circuits. This reduces the cost of the capacitors and amount of board space used.

CAPACITIVE LOADS

The high output current drive allows large capacitive loads with little effect. Capacitive loads as large as 10,000 pF have no effect upon delay and only slow the transition by about 3 μ s.

OUTPUT CURRENT

Even though these comparators use less than 1 μ A supply current, the outputs are able to drive very large currents.

The LMC7215 can source up to 50 mA when operated on a 5V supply. Both the LMC7215 and LMC7225 can sink over 20 mA. (See the graph of Max I_O vs V_{Supply} in the "Typical Characteristics" section.)

This large current handling ability allows driving heavy loads directly. LEDs, beepers and other loads can be driven easily.

The push-pull output stage of the LMC7215 is a very important feature. This keeps the total system power consumption to the absolute minimum. The only current consumed is the less than 1 μ A supply current and the current going directly into the load. No power is wasted in a pull-up resistor when the output is low. The LMC7225 is only recommended where a level shifting function from one logic level to another is desired, where the LMC7225 is being used as a drop-in lower power replacement for an older comparator or in circuits where more than one output will be paralleled.

POWER DISSIPATION

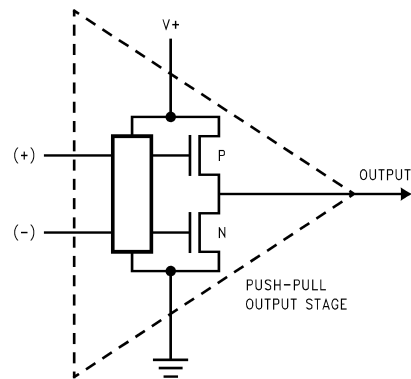
The large output current ability makes it possible to exceed the maximum operating junction temperature of 85°C and possibly even the absolute maximum junction temperature of 150°C.

The thermal resistance of the 8-pin surface mount package is 165°C/W. Shorting the output to ground with a 2.7V supply will only result in about 5°C rise above ambient.

The thermal resistance of the much smaller SOT23-5 package is 325°C/W. With a 2.7V supply, the raise is only 10.5°C but if the supply is 5V and the short circuit current is 50 mA, this will cause a raise of 41°C in the SO-8 and 81°C in the SOT23-5. This should be kept in mind if driving very low resistance loads.

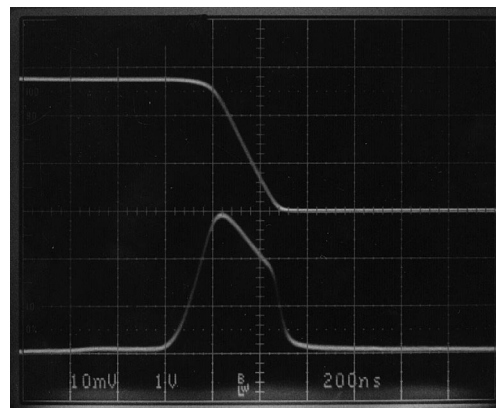
SHOOT-THROUGH

Shoot-through is a common occurrence on digital circuits and comparators where there is a push-pull output stage. This occurs when a signal is applied at the same time to both the N-channel and P-channel output transistors to turn one off and turn the other on. (See Figure 3.) If one of the output devices responds slightly faster than the other, the fast one can be turned on before the other has turned off. For a very short time, this allows supply current to flow directly through both output transistors. The result is a short spike of current drawn from the supply.



DS012853-6

FIGURE 3.



DS012853-7

FIGURE 4. $R_S = 100\Omega$

The LMC7215 produces a small current spike of 300 μ A peak for about 400 ns with 2.7V supply and 1.8 mA peak for 400 ns with a 5V supply. This spike only occurs when the output is going from high to low. It does not occur when going from low to high. Figure 4 and Figure 5 show what this current pulse looks like on 2.7V and 5V supplies. The upper trace is the output voltage and the lower trace is the supply current as measured with the circuit in Figure 6.

If the power supply has a very high impedance, a bypass capacitor of 0.01 μ F should be more than enough to minimize the effects of this small current pulse.

Application Information (Continued)

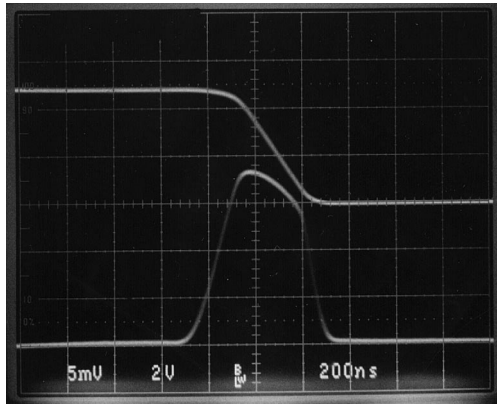
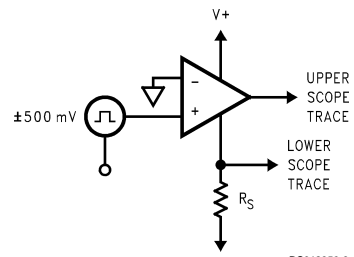


FIGURE 5. $R_S = 10\Omega$

DS012853-8



DS012853-9

FIGURE 6.

LATCH-UP

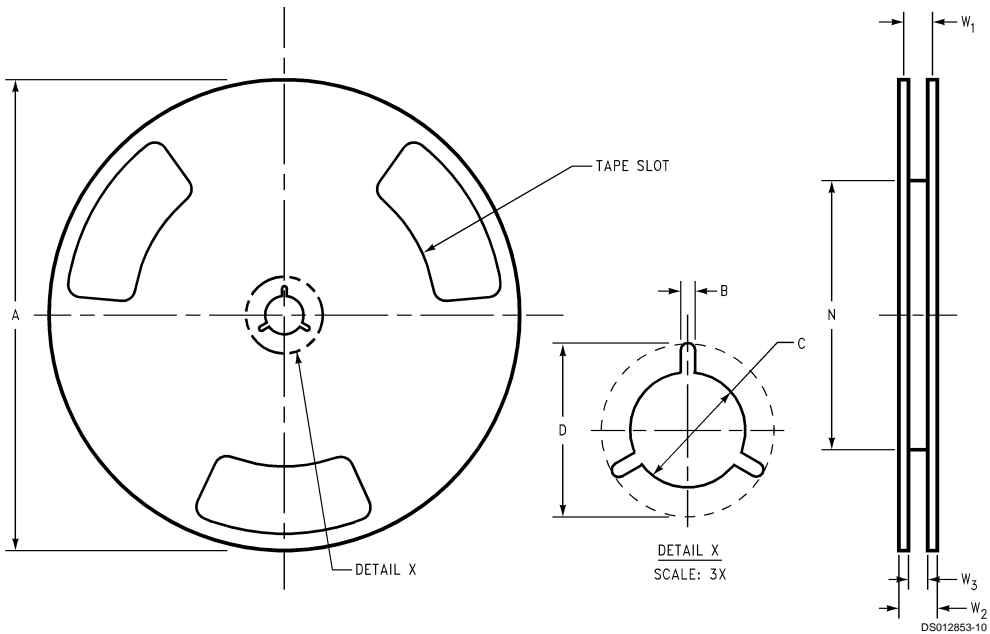
In the past, most CMOS IC's were susceptible to a damaging phenomena known as latch-up. This occurred when an ESD current spike or other large signal was applied to any of the pins of an IC. The LMC7215 and LMC7225 both are designed to make them highly resistant to this type of damage. They have passed qualification tests with input currents on any lead up to 300 mA at temperatures up to 125°C.

SPICE MODELS

For a SPICE model of the LMC7215, LMC7225 and many other op-amps and comparators, contact the NSC Customer Response Center at 800-272-9959 or on the World Wide Web at <http://www.national.com/models/index.html>.

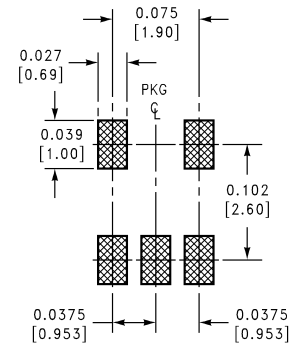
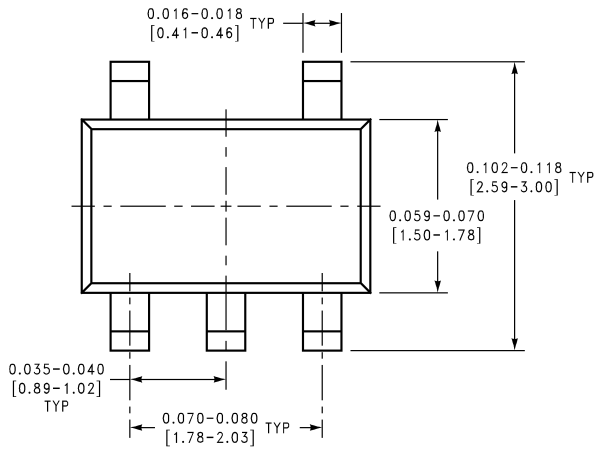
SOT-23-5 Tape and Reel Specification

REEL DIMENSIONS

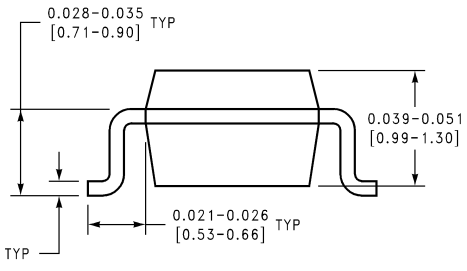
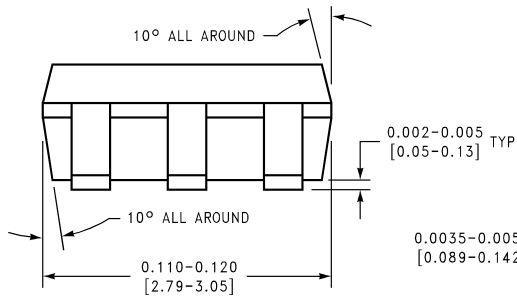


DS012853-10

Physical Dimensions inches (millimeters) unless otherwise noted



LAND PATTERN RECOMMENDATION



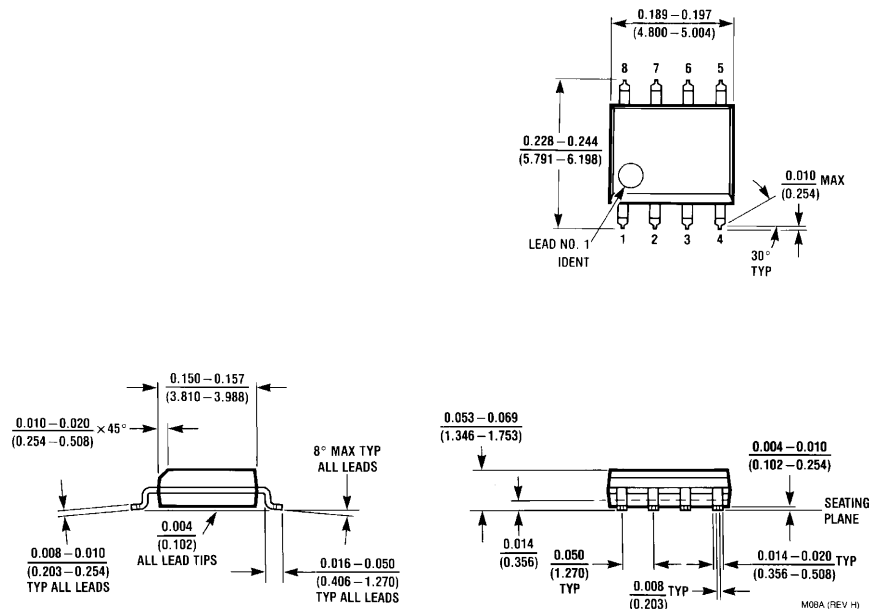
MA05A (REV D)

*Suffix indicates number of units. See Ordering Information on first page.

5-Pin SOT Package

Order Number LMC7215IM5X, LMC7225IM5X, LMC7215IM5 or LMC7225IM5
NS Package Number MA05A

Physical Dimensions inches (millimeters) unless otherwise noted (Continued)



8-Pin Small Outline Package
Order Number LMC7215IM, LMC7225IM, LMC7215IMX or LMC7225IMX
NS Package Number M08A

LIFE SUPPORT POLICY

NATIONAL'S PRODUCTS ARE NOT AUTHORIZED FOR USE AS CRITICAL COMPONENTS IN LIFE SUPPORT DEVICES OR SYSTEMS WITHOUT THE EXPRESS WRITTEN APPROVAL OF THE PRESIDENT AND GENERAL COUNSEL OF NATIONAL SEMICONDUCTOR CORPORATION. As used herein:

1. Life support devices or systems are devices or systems which, (a) are intended for surgical implant into the body, or (b) support or sustain life, and whose failure to perform when properly used in accordance with instructions for use provided in the labeling, can be reasonably expected to result in a significant injury to the user.
2. A critical component is any component of a life support device or system whose failure to perform can be reasonably expected to cause the failure of the life support device or system, or to affect its safety or effectiveness.

National Semiconductor Corporation
 Americas
 Tel: 1-800-272-9959
 Fax: 1-800-737-7018
 Email: support@nsc.com
 www.national.com

National Semiconductor Europe
 Fax: +49 (0) 1 80-530 85 86
 Email: europe.support@nsc.com
 Deutsch Tel: +49 (0) 1 80-530 85 85
 English Tel: +49 (0) 1 80-532 78 32
 Français Tel: +49 (0) 1 80-532 93 58
 Italiano Tel: +49 (0) 1 80-534 16 80

National Semiconductor Asia Pacific Customer Response Group
 Tel: 65-2544466
 Fax: 65-2504466
 Email: sea.support@nsc.com

National Semiconductor Japan Ltd.
 Tel: 81-3-5639-7560
 Fax: 81-3-5639-7507