

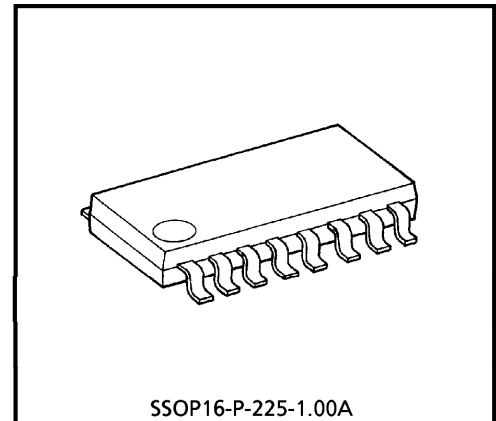
TA2061AF

INFRARED LINEAR AUDIO SIGNAL TRANSMIT IC

TA2061AF is an IC developed for use in the transmitter of infrared audio signal transmit/receive systems. The device incorporates a 2.3/2.8 MHz voltage controlled oscillator (V_{CO}) for the linear audio signal transmission band. The device is ideal for the transmitters of wireless stereo headphones and wireless microphones that use infrared transmission.

FEATURES

- Built-in two crystal V_{CO} channels for audio signal transmission. : $f_c = 2.3/2.8$ MHz (Typ.)
- Built-in pre-emphasis : $\tau = 75$ μ s (Typ.)
- V_{CO} fo adjustment on/off function.
- Built-in audio signal AGC (on/off)
- Built-in auto on/off function (on/off)
- Built-in simple surround function (on/off)
 - : $L_{out} = 1.5L_{in} - 0.5R_{in}$
 - : $R_{out} = 1.5R_{in} - 0.5L_{in}$
- Few external parts
- Compact package : 16-pin 1mm pitch flat package
- Operating supply voltage range
 - : $V_{CC}(\text{opr.}) = 4.0$ to 16.0 V ($T_a = 25^\circ\text{C}$)

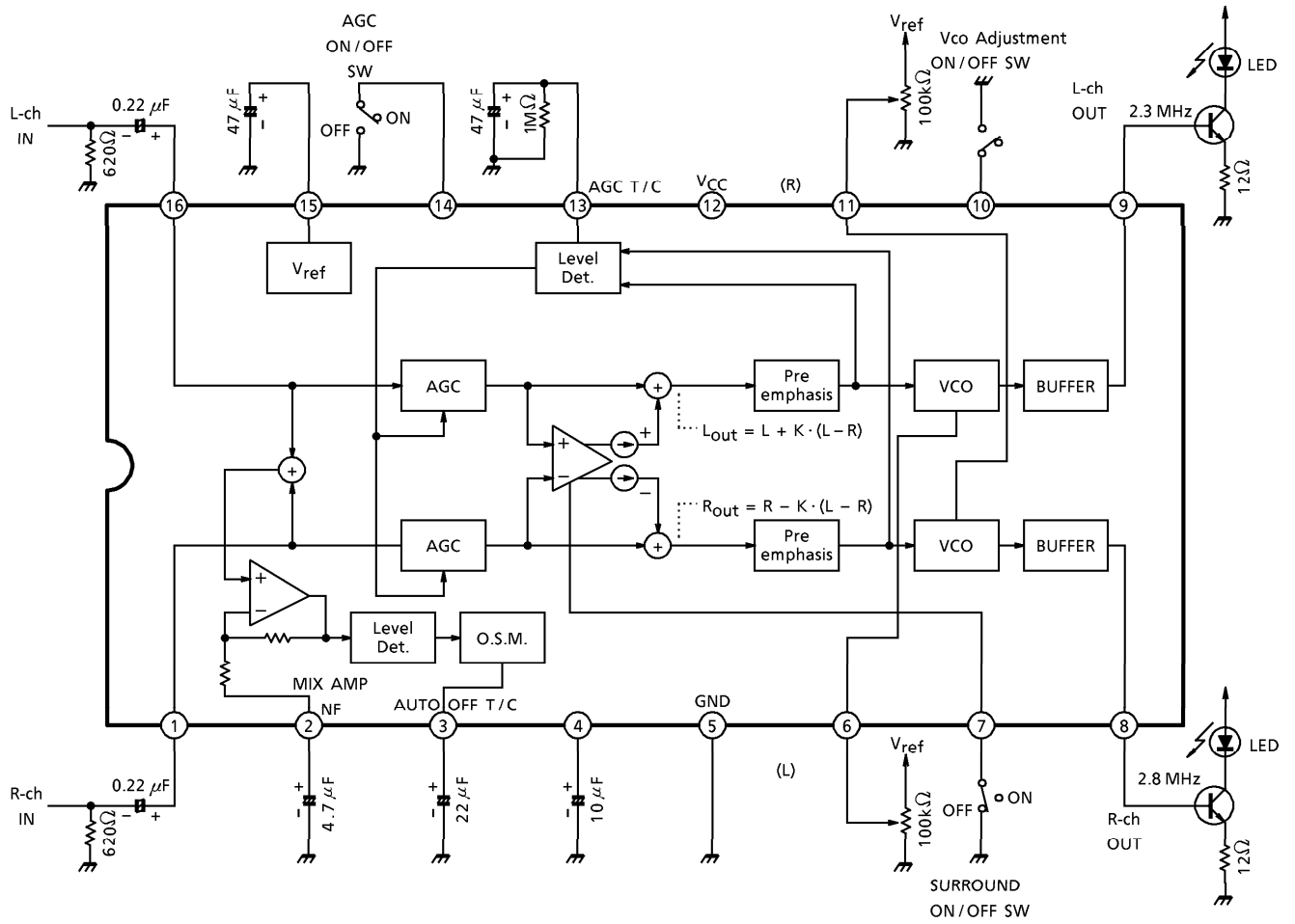


SSOP16-P-225-1.00A
Weight : 0.14 g (Typ.)

980910EBA1

- TOSHIBA is continually working to improve the quality and the reliability of its products. Nevertheless, semiconductor devices in general can malfunction or fail due to their inherent electrical sensitivity and vulnerability to physical stress. It is the responsibility of the buyer, when utilizing TOSHIBA products, to observe standards of safety, and to avoid situations in which a malfunction or failure of a TOSHIBA product could cause loss of human life, bodily injury or damage to property. In developing your designs, please ensure that TOSHIBA products are used within specified operating ranges as set forth in the most recent products specifications. Also, please keep in mind the precautions and conditions set forth in the TOSHIBA Semiconductor Reliability Handbook.
- The products described in this document are subject to the foreign exchange and foreign trade laws.
- The information contained herein is presented only as a guide for the applications of our products. No responsibility is assumed by TOSHIBA CORPORATION for any infringements of intellectual property or other rights of the third parties which may result from its use. No license is granted by implication or otherwise under any intellectual property or other rights of TOSHIBA CORPORATION or others.
- The information contained herein is subject to change without notice.

BLOCK DIAGRAM



FUNCTIONS AND PINS

1. Matrix surround function

Simple surround processing by surround function on/off switch (pin 7)

surround off : $0.0\text{ V} \leq V_7 \leq 2.0\text{ V}$

surround on : $4.0\text{ V} \leq V_7 \leq V_{CC}$ or open

When surround is on, L and R channel signals are matrix-processed at audio signal level.

(*) Where L and R channels input/output signals are L_{in} , R_{in} , L_{out} , and R_{out}

$$L_{out} = 1.5 \times L_{in} - 0.5 \times R_{in}$$

$$R_{out} = 1.5 \times R_{in} - 0.5 \times L_{in}$$

(*) When $L_{in} = R_{in}$ (same phase)

$$L_{out} = R_{out} = 1.0 \times R_{in} = 1.0 \times L_{in}$$

(*) When $R_{in} = -R_{in}$ (opposite phase)

$$L_{out} = 2.0 \times L_{in} = -2.0 \times R_{in}$$

$$R_{out} = 2.0 \times R_{in} = -2.0 \times L_{in}$$

The above method implements simple surround sound which emphasizes stereo characteristics.

2. V_{CO} - fo adjustment on/off function

If the V_{CO} fo adjustments on/off switch (pin 10) can be externally controlled, V_{CO} frequency of the L-channel (2.3 MHz) can be adjusted using pin 6.

V_{CO} frequency of the R-channel (2.8 MHz) can be adjusted using pin 11.

Adjust based on V_{ref} (pin 15) using the potentiometer. The adjustment range is about $\pm 25\text{ kHz}$ at $GND-V_{ref}$ with $V_{ref}/2$ as the center.

Note that even when the voltage applied to the adjustment pin is $1/2 V_{ref}$, the fo frequency fluctuates due to switching from off to on.

fo adjusted externally : Open Pin 10

fo fixed internally : Connect pin 10 to GND

3. Audio AGC on/off function

The AGC function of the audio signal processing portion can be switched on/off using pin 14.

AGC off : Connect pin 14 to GND

AGC on : Open pin 14

MAXIMUM RATINGS ($T_a = 25^\circ\text{C}$)

CHARACTERISTIC	SYMBOL	RATING	UNIT
Supply Voltage	V_{CC}	14	V
Power Dissipation	P_D (Note)	400	mW
Operating Temperature	T_{opr}	-25~75	$^\circ\text{C}$
Storage Temperature	T_{stg}	-55~150	$^\circ\text{C}$

ELECTRICAL CHARACTERISTICS

(Unless otherwise specified, $V_{CC} = 9\text{ V}$, $V_{in} = 245\text{ mV}$ (-1 dBm), $f = 1\text{ kHz}$, $T_a = 25^\circ\text{C}$, Surround off, fo adjustment off, AGC on)

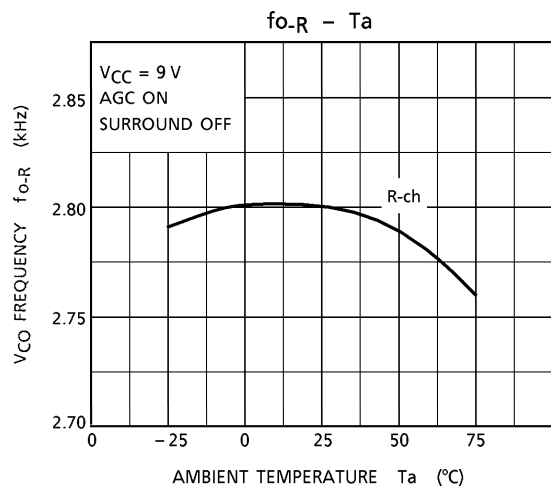
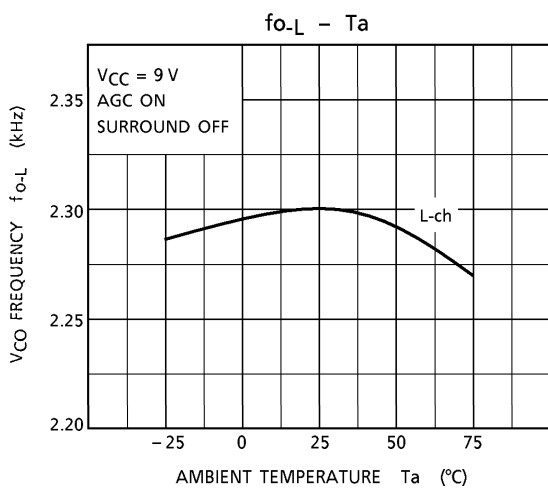
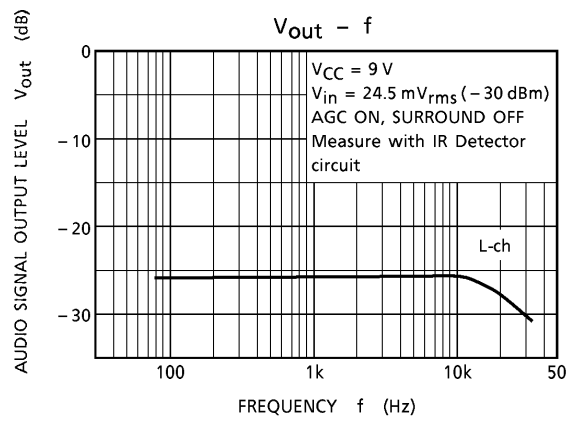
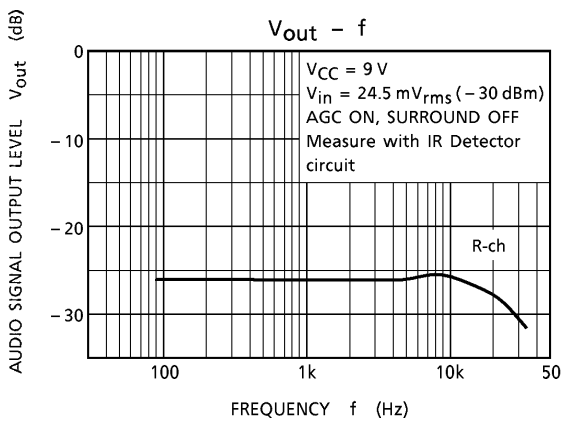
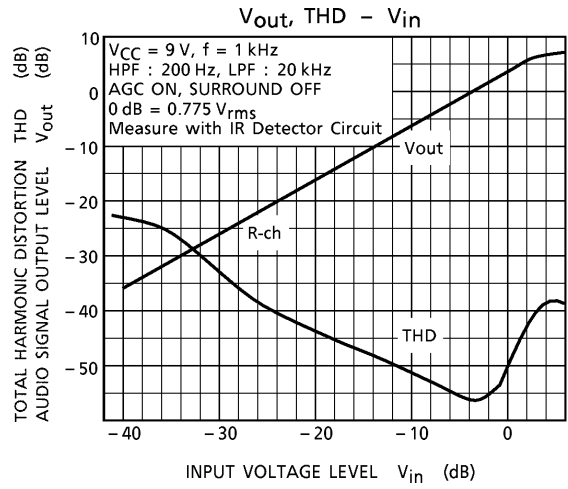
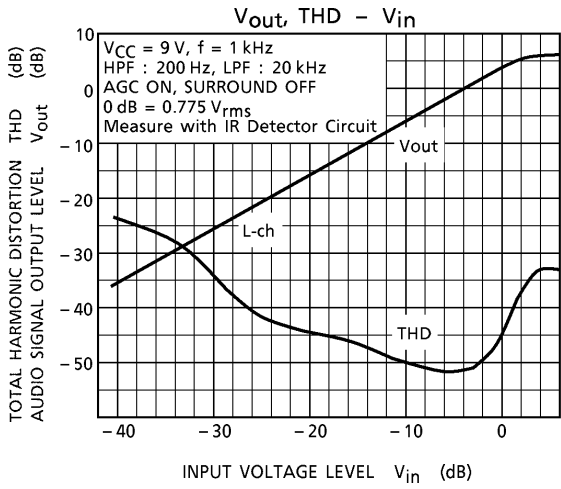
CHARACTERISTIC	SYMBOL	TEST CIRCUIT	TEST CONDITION	MIN.	TYP.	MAX.	UNIT
Stand-by Current	I_{STB}	—	Auto off ($V_{in} = 0$, $V_3 = 0\text{ V}$)	—	2.6	3.3	mA
Operating Current	I_{CC}	—	ON	—	19.0	26.0	mA
Input Signal Level	V_{inMAX}	—	THD $\leq 10\%$	—	2.0	—	V_{rms}
Channel Separation	Sep.	—	(Note 1)	—	45	—	dB
Total Harmonic Distortion	THD	—	—	—	0.3	—	%
Frequency Response	f_{res}	—	$f = 1\text{ k}\sim 10\text{ kHz}$, after de-emphasis	-3	0	3	dB
Signal To Noise Ratio	S/N-L	—	L-channel (Note 2)	52	55	—	dB
	S/N-R	—	R-channel (Note 2)	51	54	—	
V_{CO} Frequency	fo-L	—	L-channel	2275	2300	2325	kHz
	fo-R	—	R-channel	2775	2800	2825	
Maximum Frequency Deviation	—	—	L-channel	70	100	120	kHz
	—	—	R-channel	60	80	100	
Input Resistance	R_{IN}	—	—	—	47	—	$k\Omega$
Modulation Sensitivity	MS-L	—	L-channel	18	22.5	28	kHz
	MS-R	—	R-channel	18	22.5	28	
3rd Spurious	3rd-Spr	—	—	—	40	—	dB
RF Output Level	V_{O-L}	—	L-channel	270	300	340	mV
	V_{O-R}	—	R-channel	270	300	340	
Channel Balance	C.B.	—	—	-3	—	3	dB
ALC Attack Time	T_{ATK}	—	(Note 3)	—	0.3	—	s
ALC Recovery Time	T_{RCV}	—	(Note 4)	—	20	—	s
Auto ON/OFF	V_{iON}	—	On-signal Level ($V_{in-L} = V_{in-R}$)	—	3	—	s
	T_{OFF}	—	Time until input signal	—	130	—	
Pre-emphasis	P-Emf	—	—	—	75	—	μs

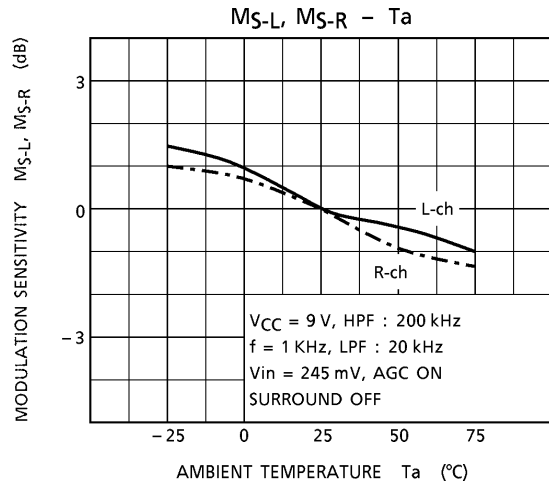
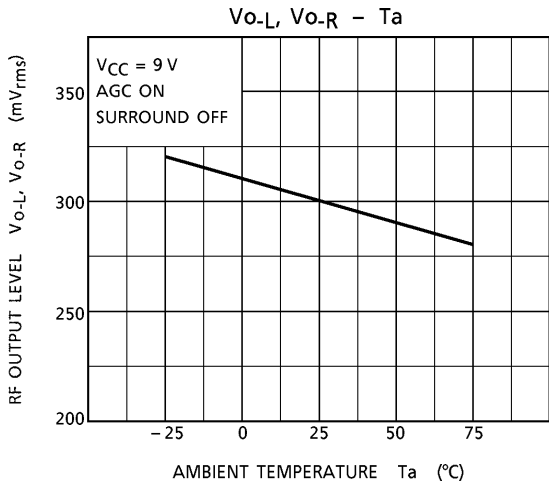
(Note 1) : Set the output level of the channel to which signals are input to 0dB.

(Note 2) : Set the output level to 0dB with 22.5 kHz deviation.

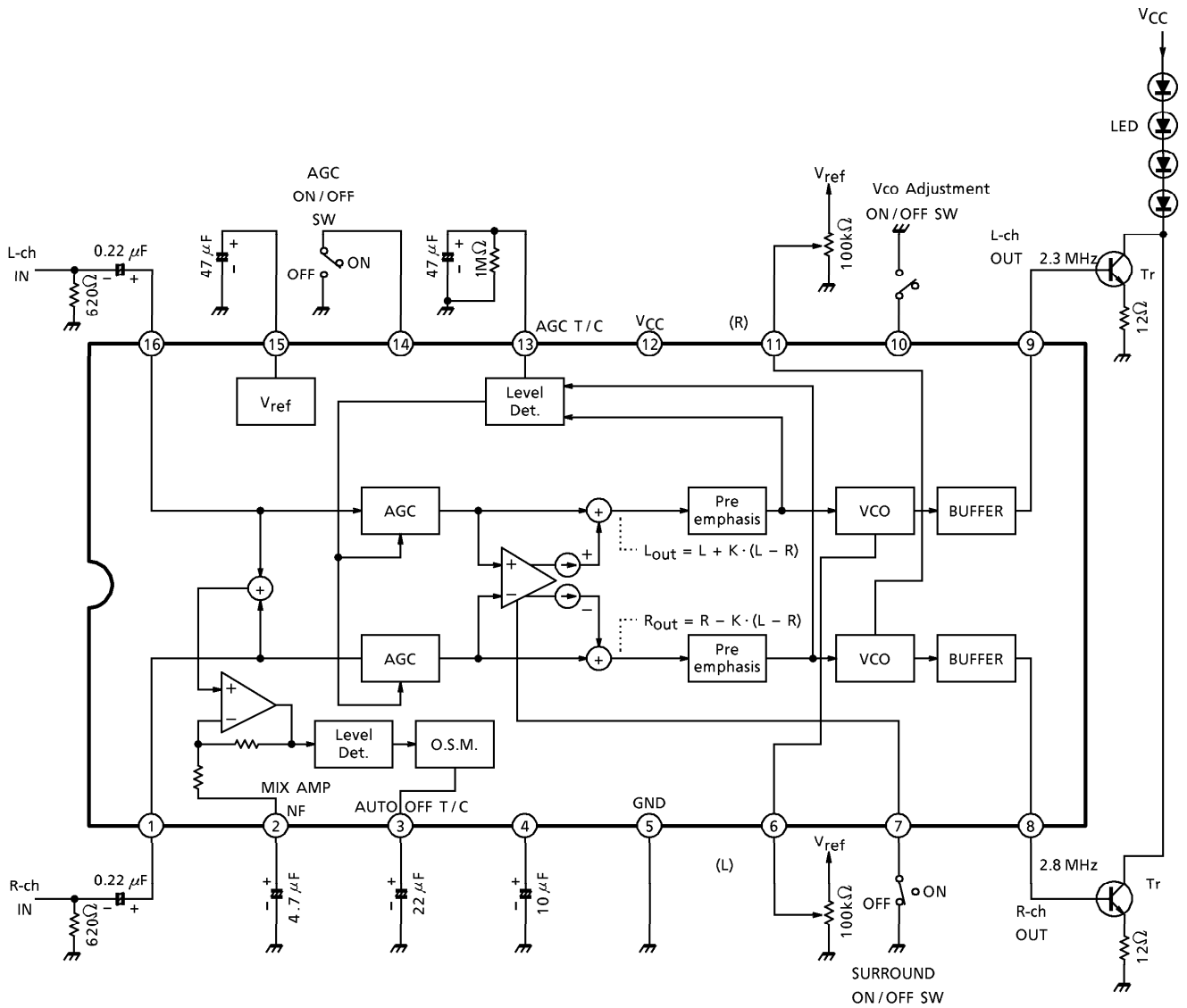
(Note 3) : Change V_{in} from 77.5 mV_{rms} (-20 dBm) to 1.95 V_{rms} ($+8\text{ dBm}$). Measure time until the output signal level convergence value reaches -1 dB .

(Note 4) : Change V_{in} from 1.95 V_{rms} ($+8\text{ dBm}$) to 77.5 mV_{rms} (-20 dBm). Measure time until the output signal level convergence value reaches -1 dB .





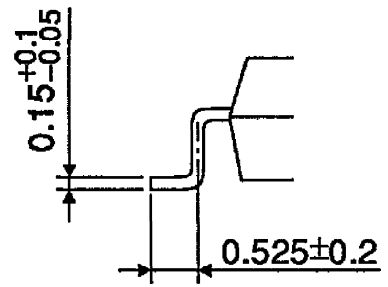
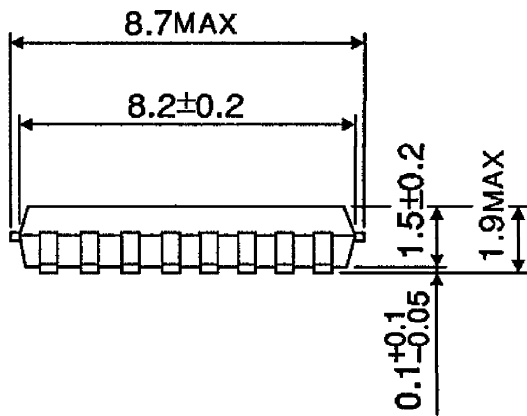
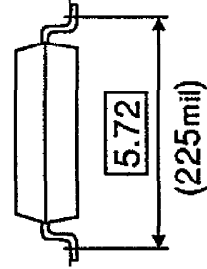
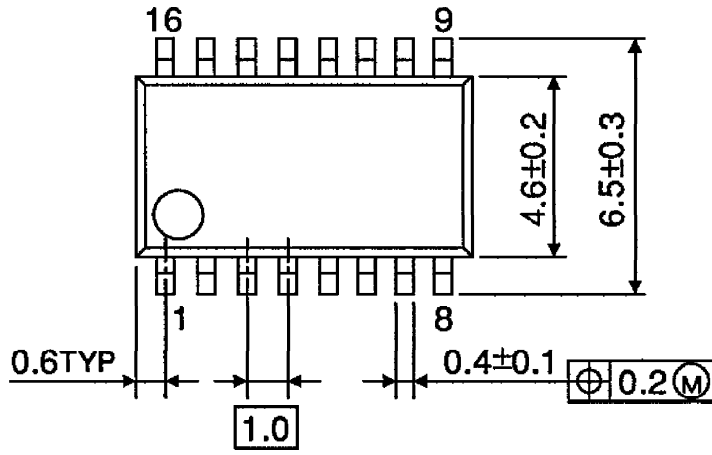
APPLICATION CIRCUIT



Tr : 2SC2883
 LED : TLN225

PACKAGE DIMENSIONS
SSOP16-P-225-1.00A

Unit : mm



Weight : 0.14 g (Typ.)