

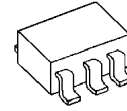
LOW DROPOUT VOLTAGE REGULATOR

■ GENERAL DESCRIPTION

The NJM2870 is low dropout voltage regulator designed for cellular phone application.

Advanced Bipolar technology achieves low noise, high ripple rejection and low quiescent current.

■ PACKAGE OUTLINE

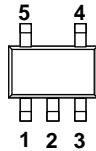


NJM2870F

■ FEATURES

- High Ripple Rejection $56\text{dB} \leq \text{RR} \text{ (DC} < f < 60\text{kHz)}$
66dB typ. (f=100Hz)
60dB typ. (f=1kHz)
- Output Noise Voltage $V_{\text{no}}=30\mu\text{V typ. (Cp}=0.01\mu\text{F)}$
- Output Current $I_{\text{o(max)}}=150\text{mA}$
- High Precision Output $V_{\text{o}}\pm 2\%$
- Low Dropout Voltage $\Delta V_{\text{I-O}}=0.12\text{V typ. (I}_\text{o}=60\text{mA, } V_{\text{o}}\geq 1.8\text{V)}$
- Input Voltage range +2~+14V ($V_{\text{o}}=1.5\text{V Version}$)
- ON/OFF Control (Active High)
- Output capacitor with 4.7uF ceramic capacitor
- Internal Short Circuit Current Limit
- Internal Thermal Overload Protection
- Bipolar Technology
- Package Outline SOT-23-5

■ PIN CONFIGURATION

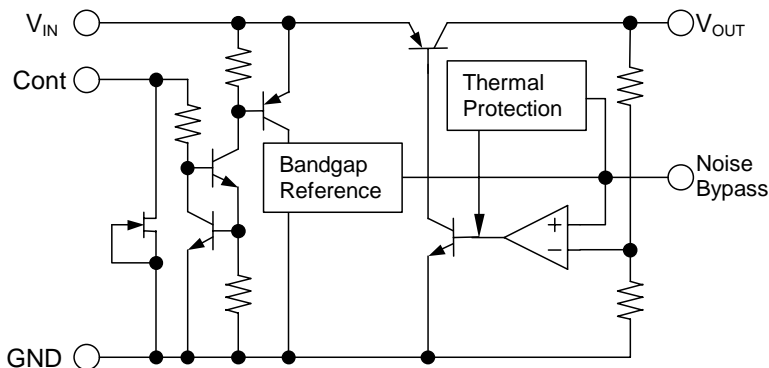


NJM2870F

PIN FUNCTION

1. CONTROL (Active High)
2. GND
3. NOISE BYPASS
4. V_{OUT}
5. V_{IN}

■ EQUIVALENT CIRCUIT



■ ABSOLUTE MAXIMUM RATINGS(Ta=25°C)

PARAMETER	SYMBOL	RATINGS	UNIT
Input Voltage	V _{IN}	+14	V
Control Voltage	V _{CONT}	+14(*1)	V
Power Dissipation	P _D	SOT-23-5	350(*2)
			200(*3)
Operating Temperature	Topr	-40 ~ +85	°C
Storage Temperature	Tstg	-40 ~ +125	°C

(*1) When input voltage is less than +14V, the absolute maximum control voltage is equal to the input voltage.

(*2): Mounted on glass epoxy board based on EIA/JEDEC. (114.3x76.2x1.6mm: 2Layers)

(*3): Device itself.

■ ELECTRICAL CHARACTERISTICS (V_{IN}=V_o+1V, C_{IN}=0.1μF, C_o=4.7μF, C_p=0.01μF, Ta=25°C)

PARAMETER	SYMBOL	TEST CONDITION	MIN.	TYP.	MAX.	UNIT
Output Voltage	V _o	I _o =30mA	-2%	-	+2%	V
Quiescent Current	I _Q	I _o =0mA, expect I _{cont}	-	200	300	μA
Quiescent Current at Control OFF	I _{Q(OFF)}	V _{CONT} =0V	-	-	100	nA
Output Current	I _o	V _o -0.3V	150	200	-	mA
Line Regulation	ΔV _o /ΔV _{IN}	V _{IN} =V _o +1V ~ V _o +6V, I _o =30mA	-	-	0.10	%/V
Load Regulation	ΔV _o /ΔI _o	I _o =0 ~ 100mA	-	-	0.03	%/mA
Dropout Voltage	ΔV _{I-O}	I _o =60mA	-	0.12	0.2	V
Ripple Rejection	RR	e _{in} =200mVrms, f=1kHz, I _o =10mA V _{IN} =V _o +2V, V _o =3V Version	-	60	-	dB
Average Temperature Coefficient of Output Voltage	ΔV _o /ΔTa	Ta=0~85°C, I _o =10mA, V _o =3V Version	-	0.2	-	mV/°C
Output Noise Voltage	V _{NO}	f=10Hz~80kHz, I _o =10mA, V _o =3V Version	-	30	-	μVrms
Control Voltage for ON-state	V _{CONT(ON)}		1.6	-	-	V
Control Voltage for OFF-state	V _{CONT(OFF)}		-	-	0.6	V

The above specification is a common specification for all output voltages.

Therefore, it may be different from the individual specification for a specific output voltage.

■ ELECTRICAL CHARACTERISTICS

(V_o=1.5V Version, V_{IN}=2.4V, C_{IN}=0.1μF, C_o=4.7μF, C_p=0.01μF, Ta=25°C)

PARAMETER	SYMBOL	TEST CONDITION	MIN.	TYP.	MAX.	UNIT
Output Voltage	V _o	I _o =30mA	-2%	-	+2%	V
Quiescent Current	I _Q	I _o =0mA, expect I _{cont}	-	200	300	μA
Quiescent Current at Control OFF	I _{Q(OFF)}	V _{CONT} =0V	-	-	100	nA
Output Current	I _o	V _o -0.3V	150	200	-	mA
Line Regulation	ΔV _o /ΔV _{IN}	V _{IN} =V _o +1V ~ V _o +6V, I _o =30mA	-	-	0.10	%/V
Load Regulation	ΔV _o /ΔI _o	I _o =0 ~ 100mA	-	-	0.03	%/mA
Ripple Rejection	RR	e _{in} =200mVrms, f=1kHz, I _o =10mA V _{IN} =V _o +2V	-	64	-	dB
Average Temperature Coefficient of Output Voltage	ΔV _o /ΔTa	Ta=0~85°C, I _o =10mA	-	0.13	-	mV/°C
Output Noise Voltage	V _{NO}	f=10Hz~80kHz, I _o =10mA,	-	15	-	μVrms
Control Voltage for ON-state	V _{CONT(ON)}		1.6	-	-	V
Control Voltage for OFF-state	V _{CONT(OFF)}		-	-	0.6	V

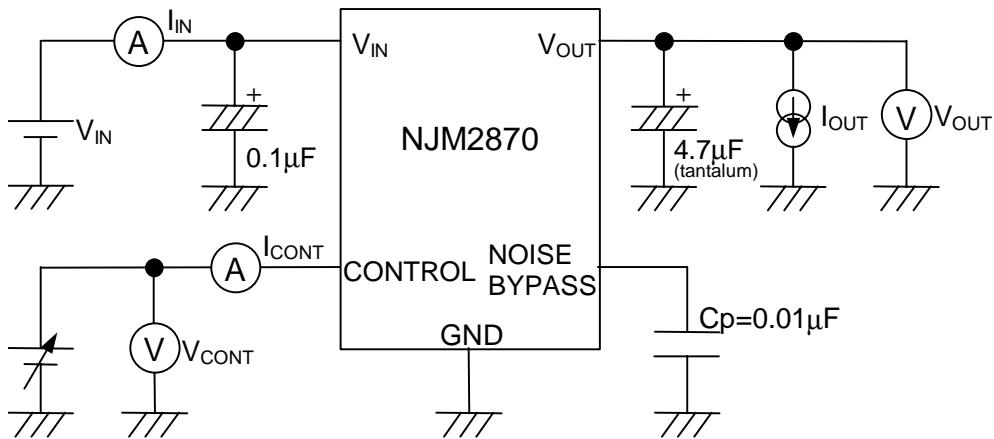
■ OUTPUT VOLTAGE RANK LIST

Device Name	V _{OUT}
NJM2870F15	1.5V
NJM2870F18	1.8V
NJM2870F19	1.9V
NJM2870F02	2.0V
NJM2870F21	2.1V
NJM2870F23	2.3V
NJM2870F24	2.4V
NJM2870F25	2.5V
NJM2870F26	2.6V

Device Name	V _{OUT}
NJM2870F27	2.7V
NJM2870F28	2.8V
NJM2870F285	2.85V
NJM2870F29	2.9V
NJM2870F03	3.0V
NJM2870F31	3.1V
NJM2870F32	3.2V
NJM2870F33	3.3V
NJM2870F34	3.4V

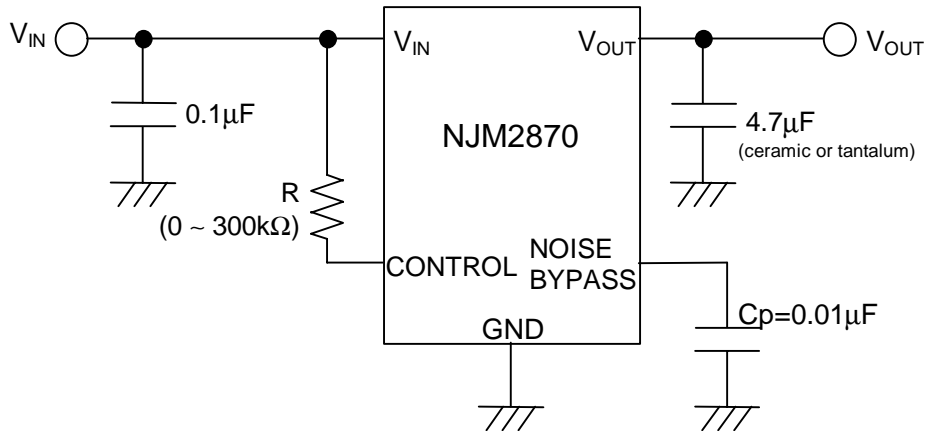
Device Name	V _{OUT}
NJM2870F35	3.5V
NJM2870F36	3.6V
NJM2870F38	3.8V
NJM2870F04	4.0V
NJM2870F45	4.5V
NJM2870F46	4.6V
NJM2870F47	4.7V
NJM2870F48	4.8V
NJM2870F05	5.0V

■ TEST CIRCUIT



■ TYPICAL APPLICATION

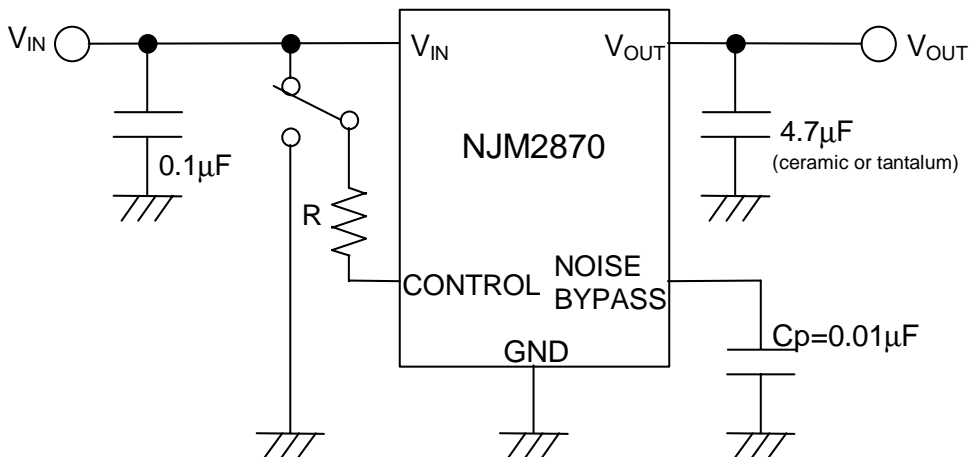
① In case that ON/OFF Control is not required:



Connect control terminal to V_{IN} terminal

The quiescent current can be reduced by using a resistance "R". Instead, it increases the minimum operating voltage. For further information, please refer to Figure "Output Voltage vs. Control Voltage".

② In use of ON/OFF CONTROL:



State of control terminal:

- "H" → output is enabled.
- "L" or "open" → output is disabled.

★ Noise bypass Capacitance C_p

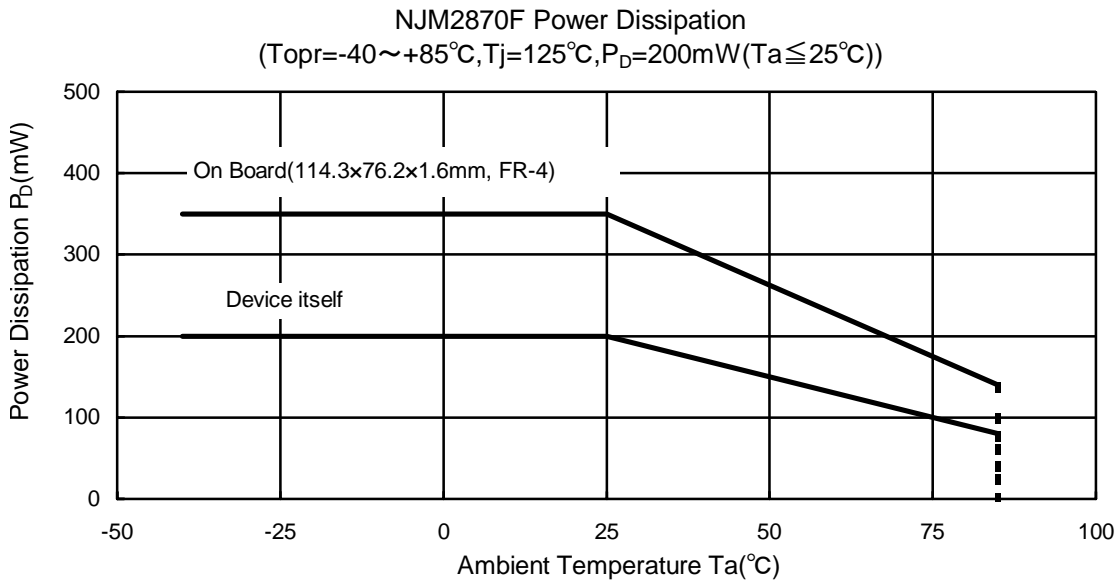
Noise bypass capacitance C_p reduces noise generated by band-gap reference circuit.

Noise level and ripple rejection will be improved when larger C_p is used.

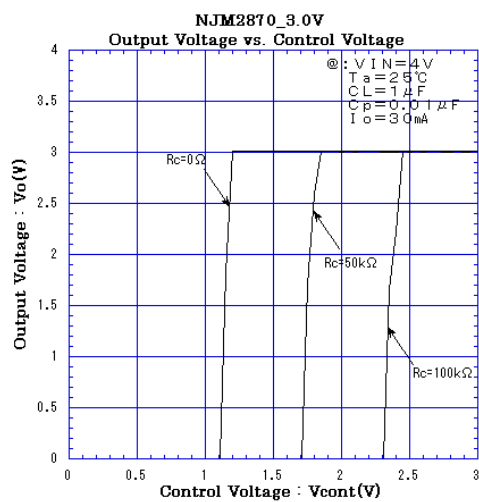
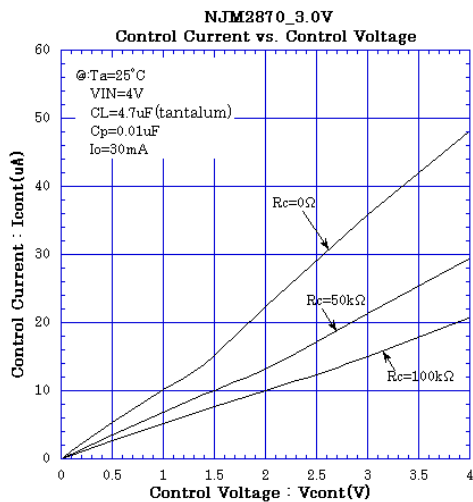
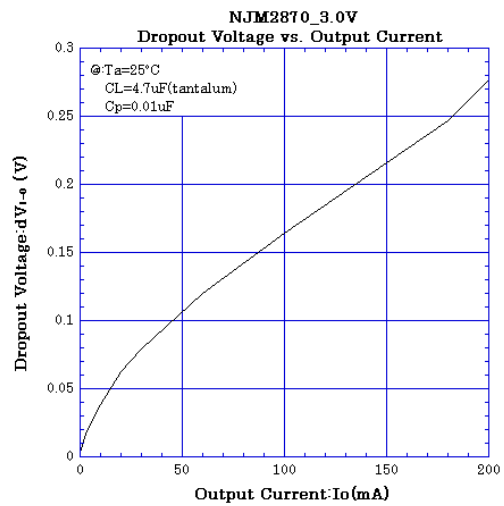
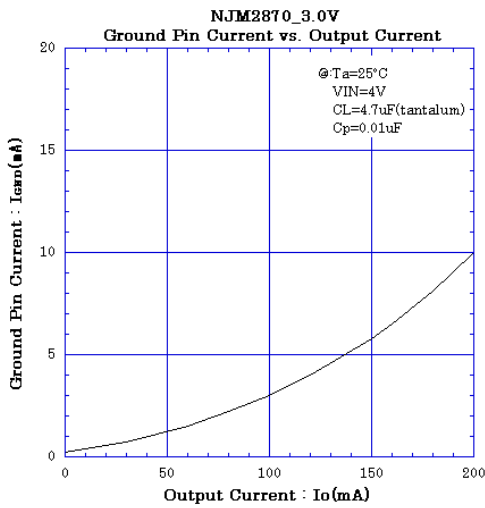
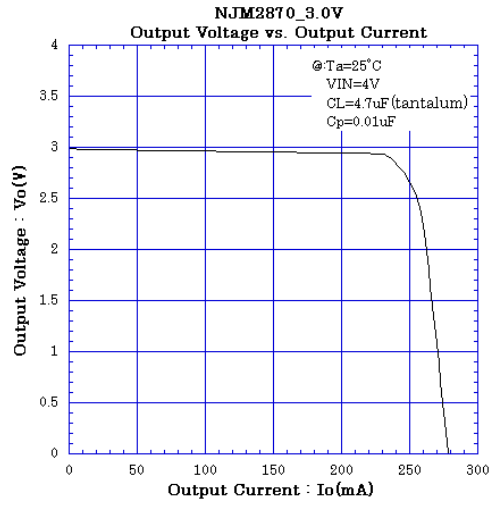
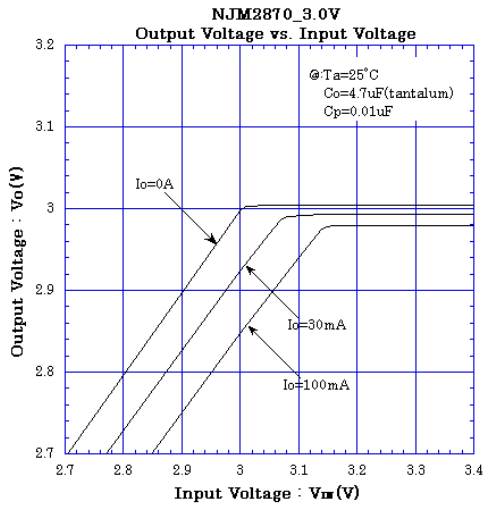
Use of smaller C_p value may cause oscillation.

Use the C_p value of 0.01µF greater to avoid the problem.

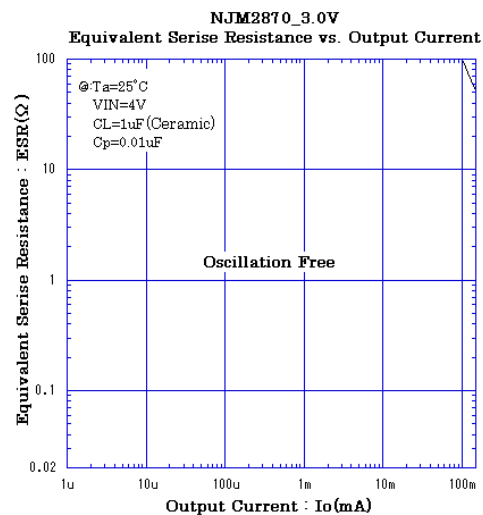
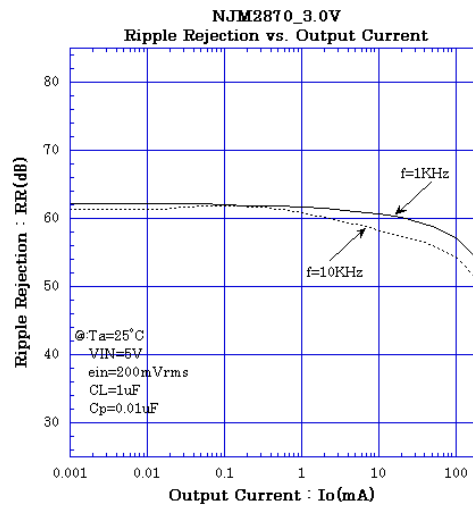
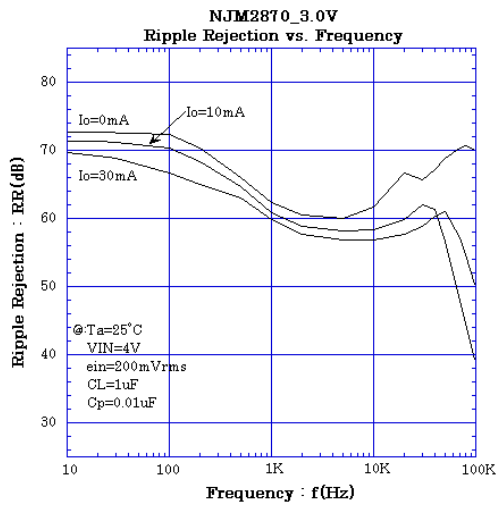
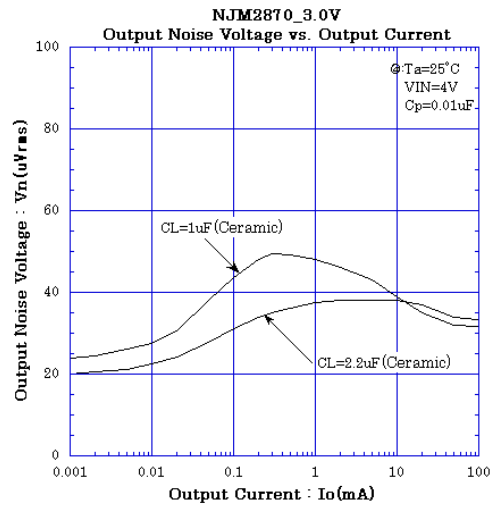
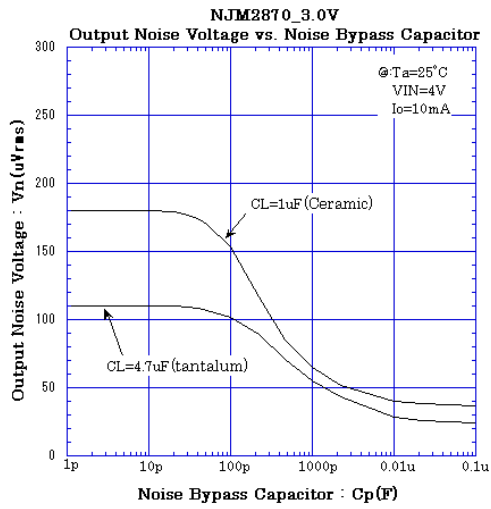
POWER DISSIPATION vs. AMBIENT TEMPERATURE



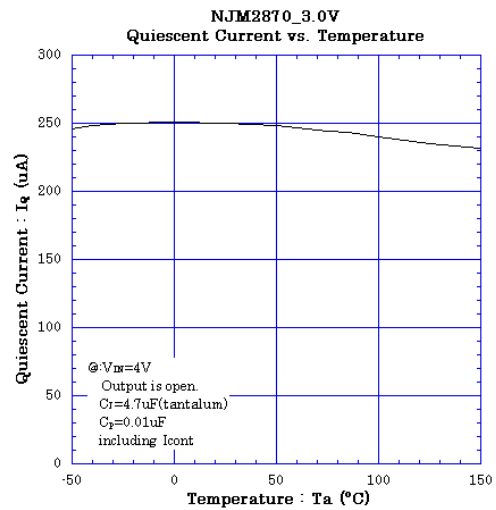
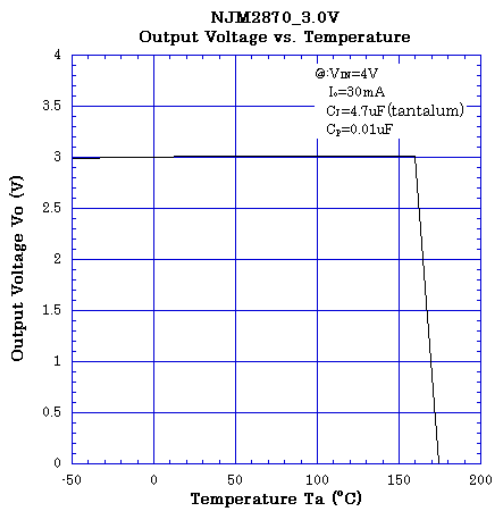
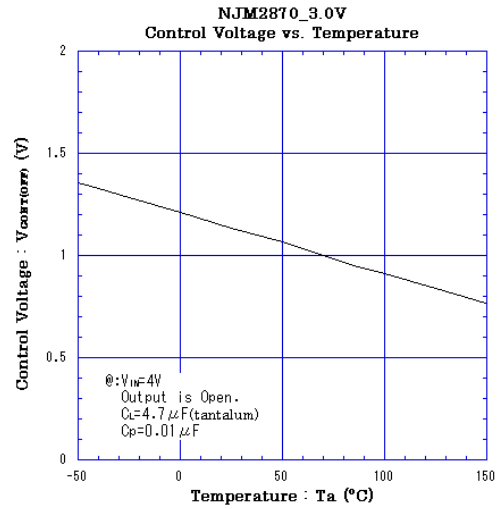
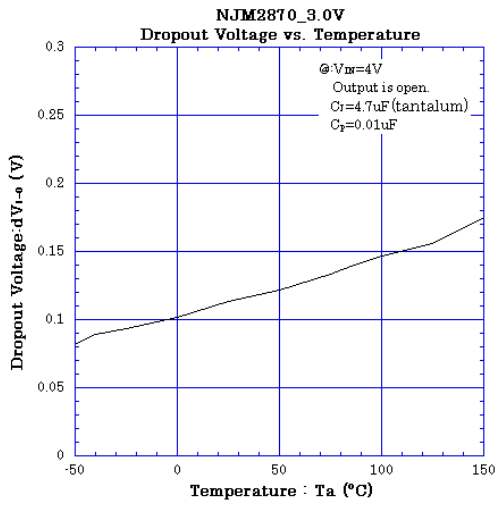
TYPICAL CHARACTERISTICS



TYPICAL CHARACTERISTICS



TYPICAL CHARACTERISTICS



[CAUTION]

The specifications on this databook are only given for information, without any guarantee as regards either mistakes or omissions. The application circuits in this databook are described only to show representative usages of the product and not intended for the guarantee or permission of any right including the industrial rights.