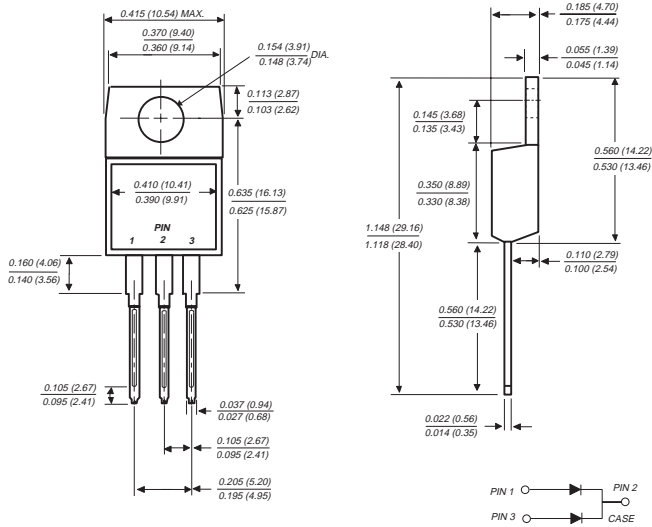


FEP6AT THRU FEP6DT

FAST EFFICIENT PLASTIC RECTIFIER

Reverse Voltage - 50 to 200 Volts Forward Current - 6.0 Amperes

TO-220AB



Dimensions are in inches and (millimeters)

FEATURES

- ◆ Plastic package has Underwriters Laboratory Flammability Classification 94V-0
- ◆ Dual rectifier construction, positive center-tap
- ◆ Glass passivated chip junctions
- ◆ Superfast recovery times for high efficiency
- ◆ Low power loss
- ◆ Low forward voltage, high current capability
- ◆ For use in low voltage, high frequency inverters, free wheeling and polarity protection applications
- ◆ High temperature soldering guaranteed: 250°C, 0.16" (4.06mm) from case for 10 seconds



MECHANICAL DATA

Case: JEDEC TO-220AB molded plastic body over passivated chips

Terminals: Plated lead solderable per MIL-STD-750, Method 2026

Polarity: As marked

Mounting Position: Any

Mounting Torque: 5 in. - lb. max.

Weight: 0.08 ounce, 2.24 grams

MAXIMUM RATINGS AND ELECTRICAL CHARACTERISTICS

Ratings at 25°C ambient temperature unless otherwise specified.

	SYMBOLS	FEP6AT	FEP6BT	FEP6CT	FEP6DT	UNITS
Maximum repetitive peak reverse voltage	V_{RRM}	50	100	150	200	Volts
Maximum RMS voltage	V_{RMS}	35	70	105	140	Volts
Maximum DC blocking voltage	V_{DC}	50	100	150	200	Volts
Maximum average forward rectified current at $T_C=100^\circ$	$I_{(AV)}$	6.0				Amps
Peak forward surge current 8.3ms single half sine-wave superimposed on rated load (JEDEC Method)	I_{FSM}	100.0				Amps
Maximum instantaneous forward voltage per leg at 3.0A	V_F	0.975				Volts
Maximum DC reverse current at rated DC blocking voltage	I_R	5.0 50.0				μA
Maximum reverse recovery time per leg (NOTE 1)	t_{rr}	35.0				ns
Typical thermal resistance (NOTE 2) (NOTE 3)	$R_{\theta JA}$ $R_{\theta JC}$	20.0 3.6				$^\circ C/W$
Typical junction capacitance per leg (NOTE 4)	C_J	28.0				pF
Operating junction and storage temperature range	T_J, T_{STG}	-55 to +150				$^\circ C$

NOTES:

- (1) Reverse recovery test conditions: $I_F=0.5A$, $I_R=1.0A$, $I_{rr}=0.25A$
- (2) Thermal resistance from junction to ambient in free air, no heatsink
- (3) Thermal resistance from junction to case per leg mounted on heatsink
- (4) Measured at 1.0 MHz and applied reverse voltage of 4.0 Volts

RATINGS AND CHARACTERISTIC CURVES FEP6AT THRU FEP6DT

FIG. 1 - FORWARD CURRENT DERATING CURVE

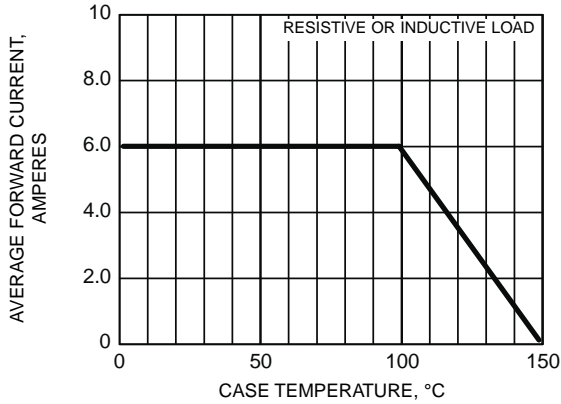


FIG. 2 - MAXIMUM NON-REPETITIVE PEAK FORWARD SURGE CURRENT

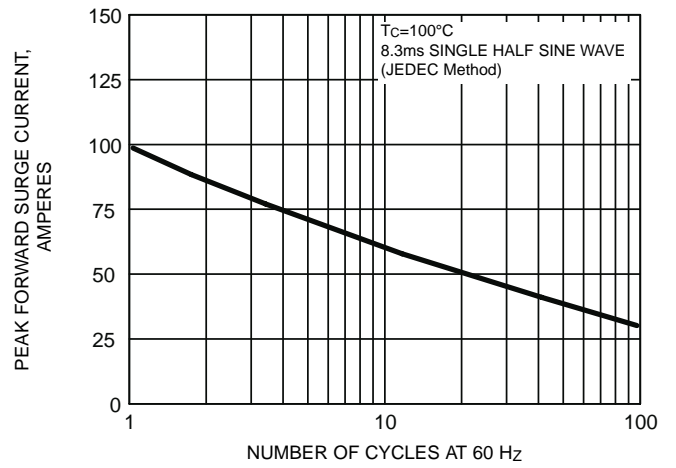


FIG. 3 - TYPICAL INSTANTANEOUS FORWARD CHARACTERISTICS PER LEG

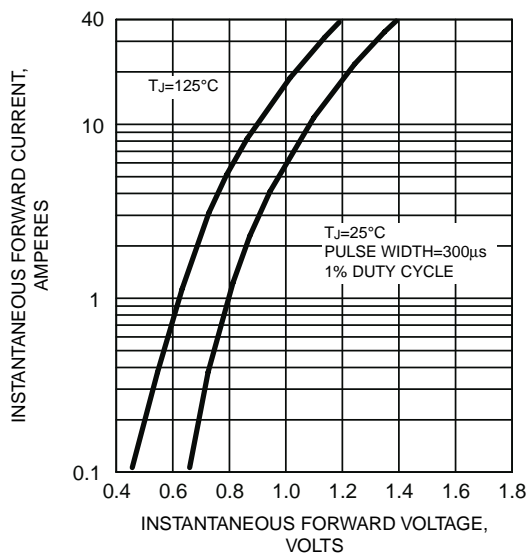


FIG. 4 - TYPICAL REVERSE CHARACTERISTICS PER LEG

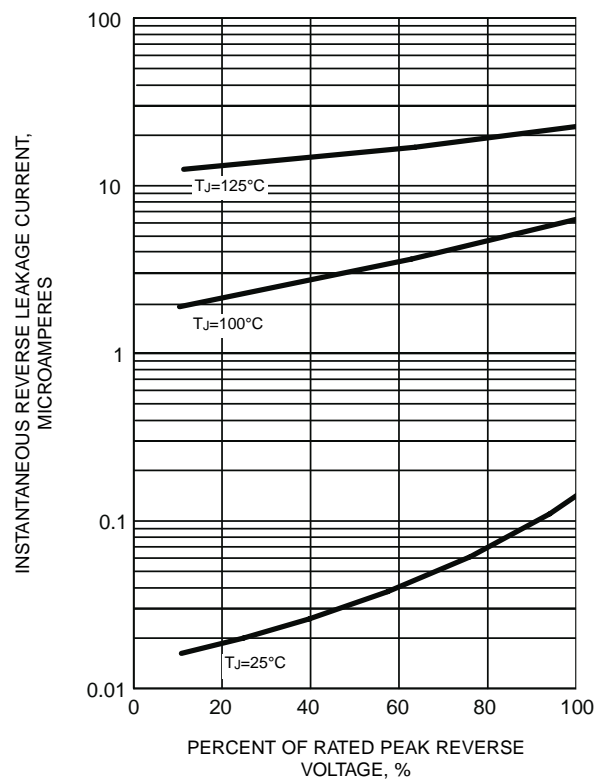


FIG. 5 - TYPICAL JUNCTION CAPACITANCE PER LEG

