

SMD Power Inductor CDRH60D43R



 **sumida**

■ Features

- ◎ 6.3 × 6.3mm Max. (L × W) and 4.5mm Max height.
- ◎ Operating temperature range: -40°C~+105°C.
- ◎ Magnetically shielded.
- ◎ RoHS and Halogen-Free Compliance.

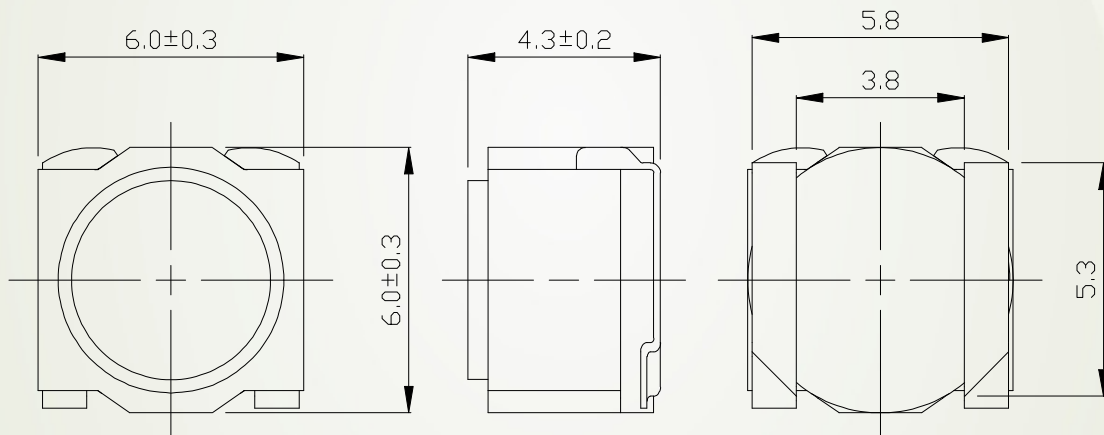


■ Applications

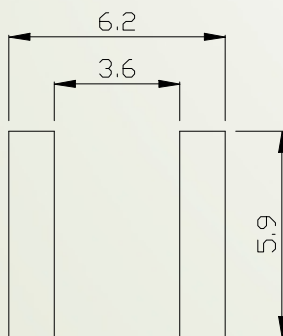
Surface mount inductor for slim TV, car navigation, etc.

■ Shapes and Dimensions/Recommended Land Patterns(mm)

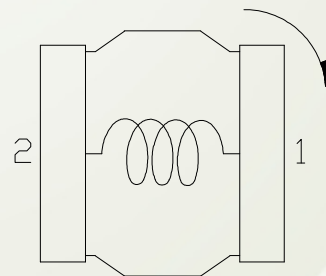
◆ Dimensions



◆ Land pattern



◆ Schematics (Bottom)



SMD Power Inductor CDRH60D43R



■Electrical Characteristics specification.

Part Name	Stamp	Inductance (μ H) 100kHz	D.C.R.(m Ω) Max.(Typ.) (at 20°C)	Saturation Current (A) ※1		Temperature Rise Current (A) ※2
				(at 20°C)	(at 105°C)	
CDRH60D43RNP-1R5NC	B	1.5 \pm 30%	15 \pm 25%	5.80	4.80	5.20
CDRH60D43RNP-2R2NC	C	2.2 \pm 30%	17 \pm 25%	4.80	4.00	4.40
CDRH60D43RNP-3R3NC	D	3.3 \pm 30%	22 \pm 25%	4.40	3.60	4.10
CDRH60D43RNP-4R7MC	E	4.7 \pm 20%	26 \pm 25%	3.50	2.80	3.80
CDRH60D43RNP-6R8MC	F	6.8 \pm 20%	31 \pm 25%	3.10	2.50	3.45
CDRH60D43RNP-100MC	G	10 \pm 20%	38 \pm 25%	2.60	2.00	2.90
CDRH60D43RNP-150MC	H	15 \pm 20%	78 \pm 25%	2.10	1.60	1.98
CDRH60D43RNP-220MC	J	22 \pm 20%	118 \pm 20%	1.80	1.30	1.55
CDRH60D43RNP-330MC	K	33 \pm 20%	178 \pm 20%	1.45	1.12	1.33
CDRH60D43RNP-470MC	L	47 \pm 20%	270 \pm 20%	1.20	0.90	1.04
CDRH60D43RNP-680MC	M	68 \pm 20%	325 \pm 20%	1.00	0.75	0.9
CDRH60D43RNP-101MC	N	100 \pm 20%	415 \pm 20%	0.85	0.66	0.82
CDRH60D43RNP-151MC	P	150 \pm 20%	670 \pm 20%	0.68	0.52	0.65
CDRH60D43RNP-221MC	Q	220 \pm 20%	1030 \pm 20%	0.56	0.44	0.49
CDRH60D43RNP-331MC	R	330 \pm 20%	1325 \pm 20%	0.47	0.38	0.45

※1 Saturation Current: The DC current at which the inductance decreases to 70% of its nominal value.

※2 Temperature Rise Current: The DC current at which the temperature rise is $\Delta t=40^{\circ}\text{C}$ ($T_a=20^{\circ}\text{C}$).

For More Information

Hong Kong

Tel.+852-2880-6688
FAX.+852-2565-9600

Shanghai

Tel.+86-021-58363299
FAX.+86-021-58363266

Shenzhen

Tel.+86-755-82910228
FAX.+86-755-82910338

Taipei

Tel.+886-2-27065228
FAX.+886-2-27065229

Tokyo

Tel.+81-3-5202-7112
FAX.+81-3-5202-7105

Seoul

Tel.+82-2-6237-0777
FAX.+82-2-6237-0778

Singapore

Tel.+65-6296-3388
FAX.+65-6296-3390

Malaysia

Tel.+60-3-8733-0900
FAX.+60-3-8737-7384

Chicago

Tel.+1-847-545-6700
FAX.+1-847-545-6720

California

Tel.+1-408-321-9660
FAX.+1-408-321-9308

